
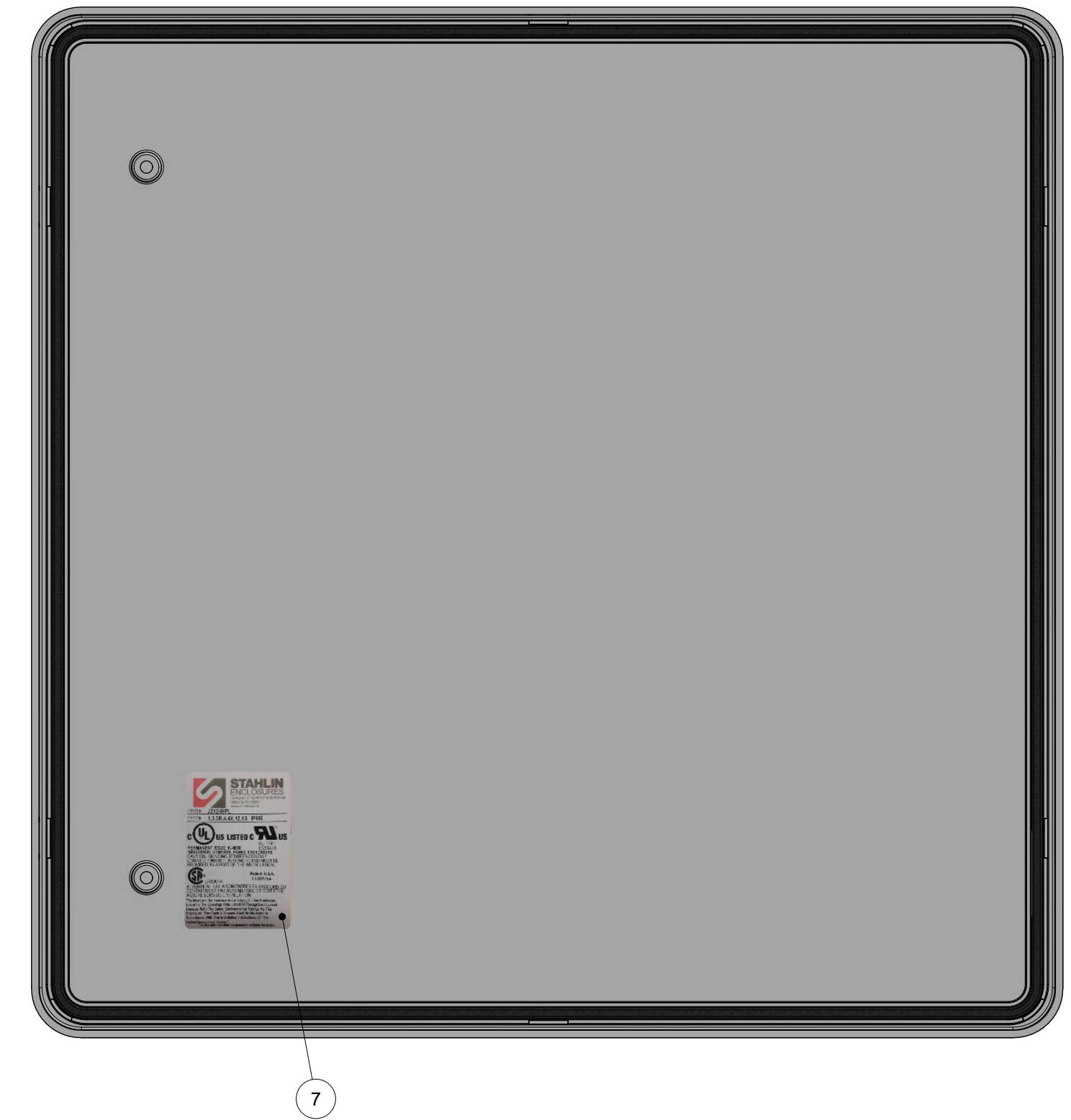
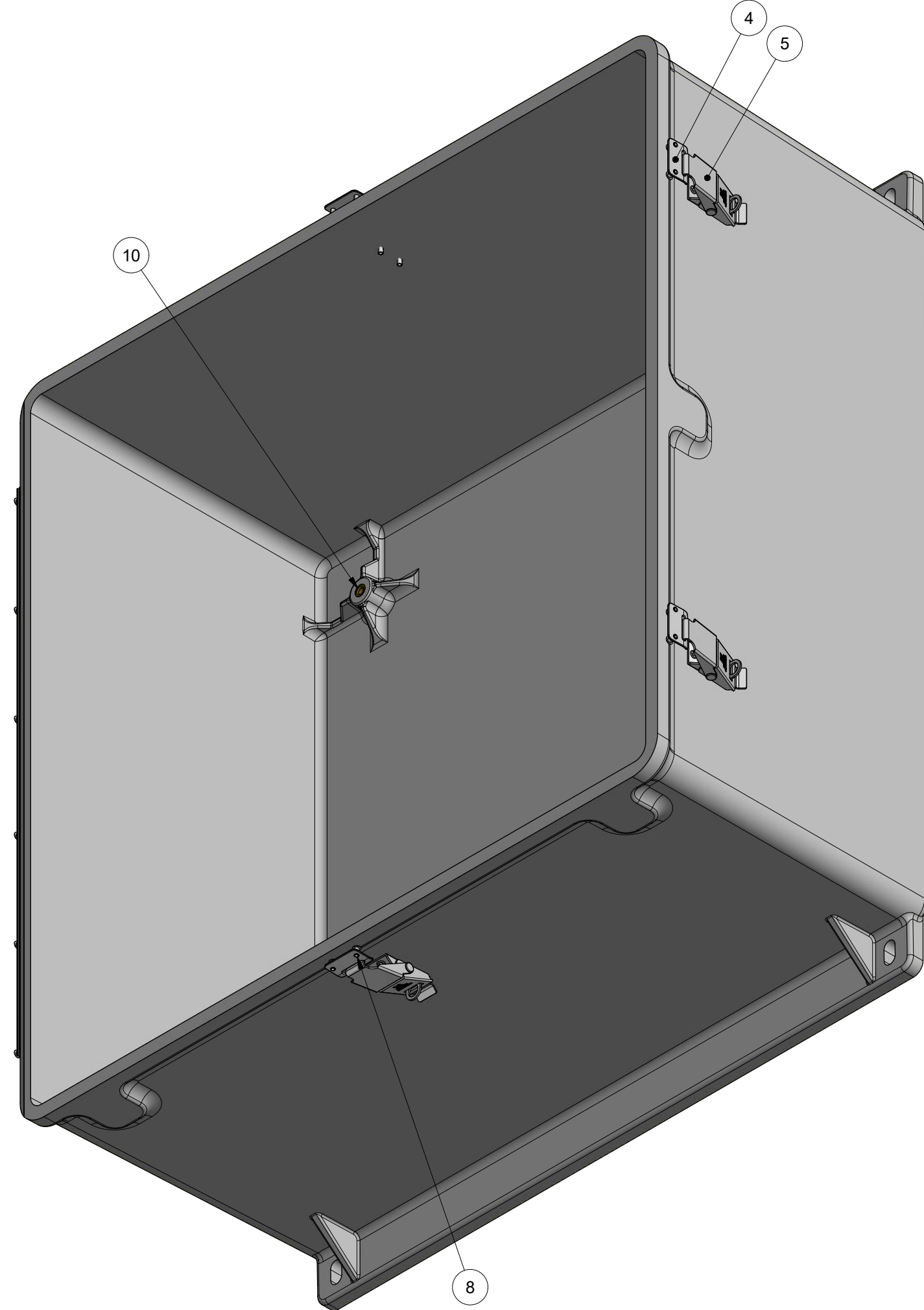
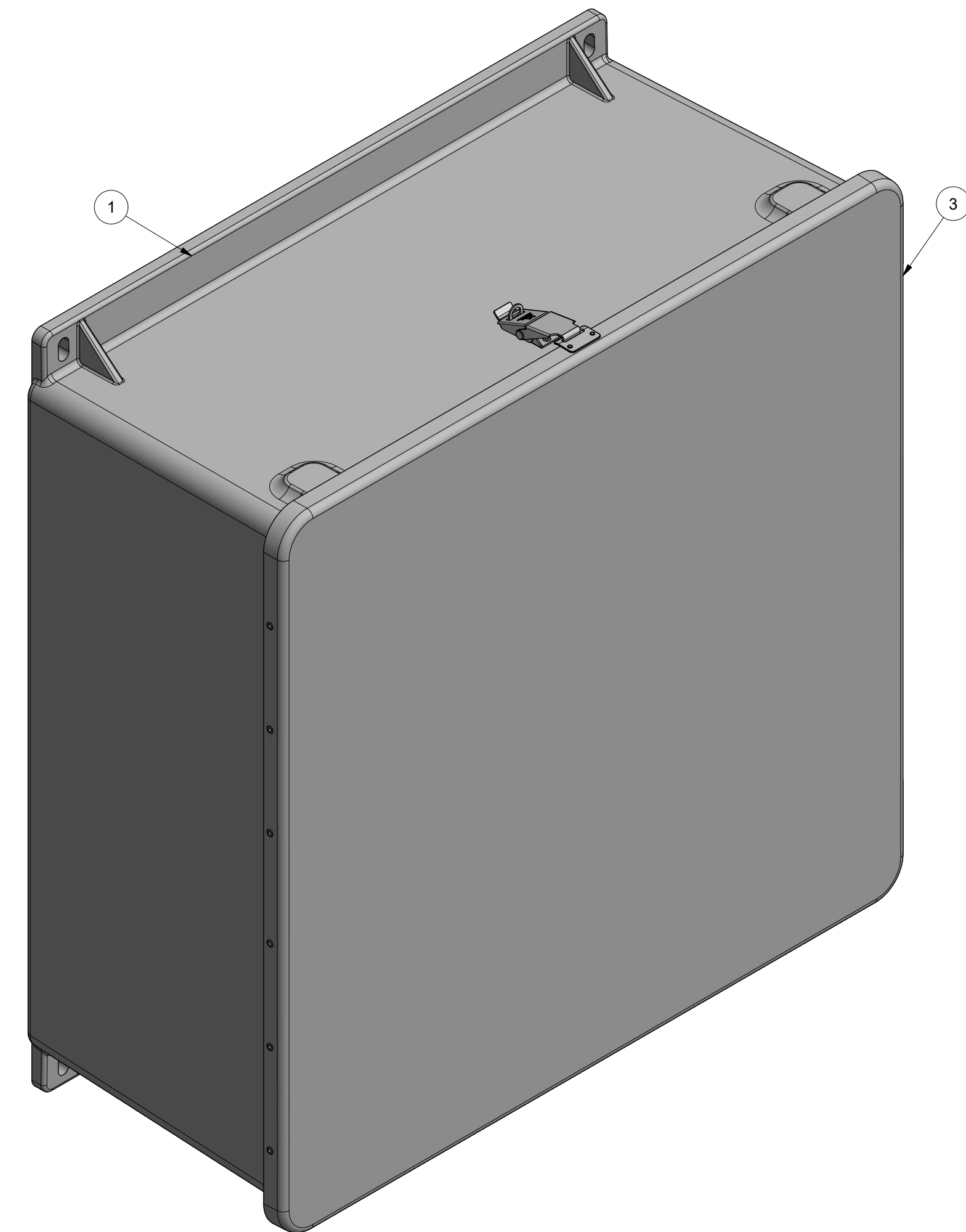


THIS DRAWING IS THE SOLE AND EXCLUSIVE PROPERTY OF STAHLIN ENCLOSURES. NO PART OF THIS DRAWING MAY BE REPRODUCED, DISTRIBUTED, OR PUBLICALLY DISPLAYED IN ANY FORM OR BY ANY MEANS WITHOUT THE EXPRESS WRITTEN PERMISSION OF STAHLIN ENCLOSURES. ALL RIGHTS RESERVED. UNDER THE COPYRIGHT LAWS. COPYRIGHT © 2018 STAHLIN ENCLOSURES.

**SPECIAL REQUIREMENTS**

NEMA 250: TYPE 1, 3, 3R, 4, 4X, 12, 13 IEC 60529: IP66 COLOR: GLACIER GRAY (WPR3013) COLOR STANDARD: PANTONE 428 C		STANDARD P/N: J2424HPL CUSTOMER DWG:	ALL DIMENSIONS ARE IN INCHES UNLESS OTHERWISE SPECIFIED	TOLERANCES UNLESS SPECIFIED	.XX ± 0.03 .XXX ± 0.010		
MATERIAL: FIBERGLASS REINFORCED POLYESTER (FRP)			 <b>Robroy Enclosures</b> 500 Maple Street Belding, Michigan 48809 Phone: 616-794-0700 Fax: 616-749-3378				
REVISION HISTORY							
REV	DESCRIPTION	DATE	ENG	DRAWN BY	DATE	CUSTOMER	DWG
-	-	-	-	DRH	12/05/13		J2424HPL
-	-	-	-	SCALE		DESCRIPTION	PART NUMBER
-	-	-	-	DO NOT SCALE		STANDARD ENCLOSURE	FEJ2424HPL

8 7 6 5 4 3 2 1



PARTS LIST			
ITEM	QTY	PART NUMBER	DESCRIPTION
1	1	WP2424H&LBOX	J2424 MOLDED H&L BOX
2	1	RMHING19-1/2	19.5" HINGE
3	1	WP2424HLU	J2424 GASKETED COVER
4	4	RMKEEPSSL	HPL KEEPER
5	4	RMLATSSL	HPL LATCH
6	8	RMRIV43	RIVET
7	28	RMRIV44	RIVET
8	1	RMLABSTAHLIN3X2	J2424HPL LABEL
9	AR	RTV-732	SILICONE SEALANT
10	4	RMINS25020A12-18	1/4-20 x 5/16 TYPE A MOLDED-IN INSERT

**NOTES:**  
 1. RTV 732 SILICONE SEALANT SHALL BE APPLIED UNDER ALL LATCHES AROUND LATCH HOLES AND TOP OF RIVET AFTER INSTALLATION

THIS DRAWING IS THE SOLE AND EXCLUSIVE PROPERTY OF STAHLIN ENCLOSURES. NO PART OF THIS DRAWING MAY BE REPRODUCED, DISTRIBUTED, OR PUBLICALLY DISPLAYED IN ANY FORM OR BY ANY MEANS WITHOUT THE EXPRESS WRITTEN PERMISSION OF STAHLIN ENCLOSURES. ALL RIGHTS RESERVED. UNDER THE COPYRIGHT LAWS. COPYRIGHT © 2018 STAHLIN ENCLOSURES.

**SPECIAL REQUIREMENTS**

NEMA 250: TYPE 1, 3, 3R, 4, 4X, 12, 13  
 IEC 60529: IP66  
 COLOR: GLACIER GRAY (WPR3013)  
 COLOR STANDARD: PANTONE 428 C

STANDARD P/N: J2424HPL  
 CUSTOMER DWG:

ALL DIMENSIONS ARE IN INCHES UNLESS OTHERWISE SPECIFIED

TOLERANCES UNLESS SPECIFIED .XX ± 0.03 .XXX ± 0.010

MATERIAL: FIBERGLASS REINFORCED POLYESTER (FRP)



**Robroy Enclosures**  
 500 Maple Street  
 Belding, Michigan 48809  
 Phone: 616-794-0700  
 Fax: 616-749-3378

DRAWN BY	DATE	CUSTOMER	DWG
DRH	12/05/13		J2424HPL
SCALE	DESCRIPTION	PART NUMBER	
DO NOT SCALE	STANDARD ENCLOSURE	FEJ2424HPL	