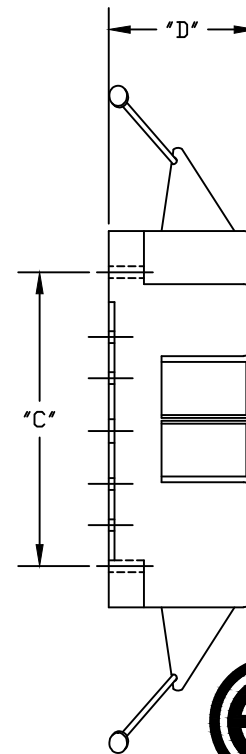
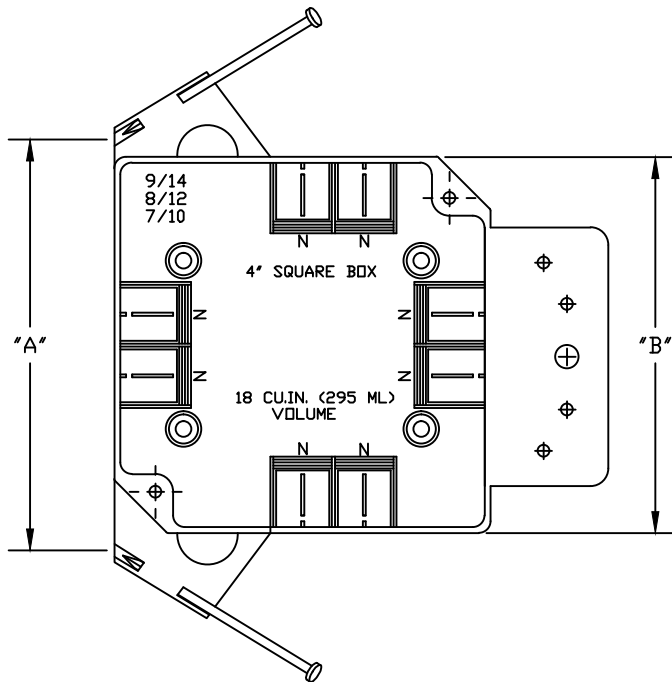
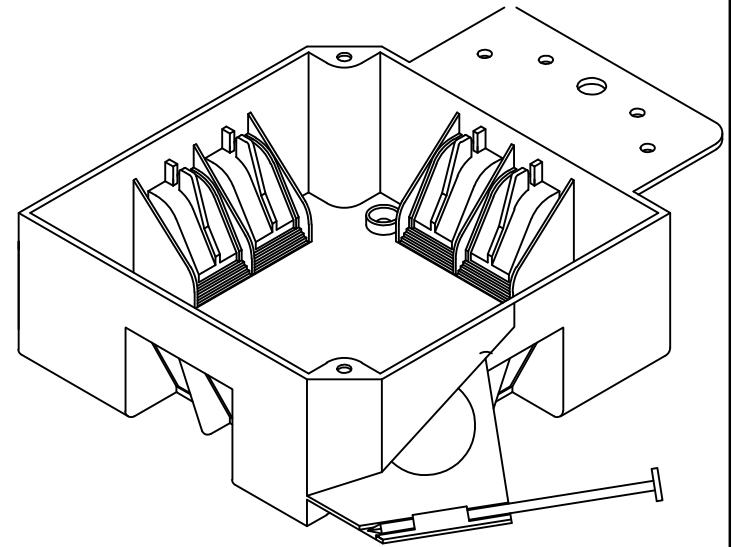


PART NUMBER	SIZE	"A"	"B"	"C"	"D"
EZ18XN	4" X 4" X 1 5/8" Enhanced angled nails for quick mounting between studs Flange mounting Eight clamps	4 7/16"	4"	3 3/8"	1 5/8"
EZ18XNR	4" X 4" X 1 5/8" Enhanced angled nails for quick mounting between studs Flange mounting Eight clamps	4 7/16"	4"	3 3/8"	1 5/8"



ETL Listed  
 Conforms to UL Std. 514C  
 2-HR Fire Wall Rating  
 ETL Control # 3107144  
 Suitable for Masonry Walls  
 Material is Rigid PVC



<b>CANTEX</b> INC. Fort Worth, TEXAS		
Four Sq. EZ Box 18 Cubic Inch, Nail On Flange mounting with wire clamps		
Drawn By: D. Gwinn	Date: 5/3/18	Ref. EZ18XN