

SMOKE ALARM

PHOTO & ION

CAT. **3120B**



OptiPath 360™
Technology

PHOTO/ION SENSORS

Dual Photoelectric & Ionization sensing technologies for optimal sensing of smoke particles produced in both flaming and smoldering fires.

TWO LATCHING FEATURES

Alarm Latch: Remembers which unit initiated an alarm.

Low Battery Latch: Visually Identifies which unit is in low battery condition.

TWO SILENCE FEATURES

Alarm Silence: Silence an unwanted alarm for several minutes.

Low Battery Silence: Temporarily silence low battery chirp for up to 8 hours.

OPTIPATH 360 TECHNOLOGY™

Provides 360 degrees of direct access to the smoke sensing chambers.

BATTERY BACKUP

Two AA batteries provide power for the smoke alarm during power outages.



BRK®

THE PROFESSIONAL STANDARD

**120V AC, 60Hz Wire-in
with 3V (two 1.5V AA) Battery Backup**

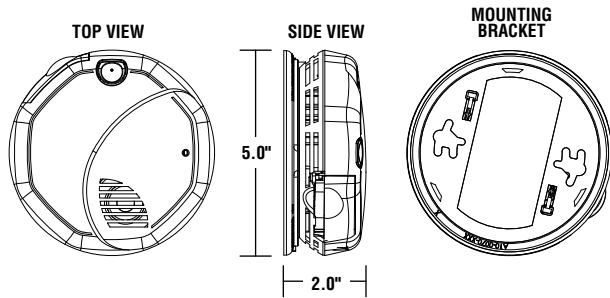
Description:

The BRK Model No. 3120B is a wire-in, 120V AC 60Hz single and/or multiple station photoelectric and ionization dual sensor smoke alarm specifically designed for residential and institutional applications including sleeping rooms of hospitals, hotels, motels, dormitories and other multi-family dwellings as defined in standard NFPA 101. Model 3120B complies with UL217, CSFM, NFPA 72, HUD, FHA and other agencies that model their codes after the above agencies. It meets building codes where AC/DC photoelectric and ionization combination smoke alarms are required.

The BRK 3120B is a state-of-the-art hardwired with battery backup smoke alarm that features dual photoelectric and ionization smoke sensing technologies. This alarm features two latching features and two silence features. Alarm Latch: Easily identifies initiating alarm even after alarm condition has subsided. Low Battery Latch: Identifies which unit is in low battery condition by blinking the green power light. Low Battery Silence: Temporarily silence the low battery chirp for up to eight hours. Alarm Silence: Silence alarm for several minutes. Other features include an 85dB horn, single button test/silence, an easy access battery drawer and dust cover. OptiPath 360 Technology: Exclusive patented technology provides 360 degrees of direct access to the smoke sensor. Two locking features are provided to prevent battery theft and/or theft of the unit. Connection to AC power is made with a Quick-Connect wiring harness. Installation is quick, easy and cost effective.



CAT. 3120B



ARCHITECTURAL AND ENGINEERING SPEC

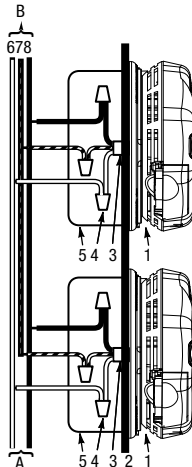
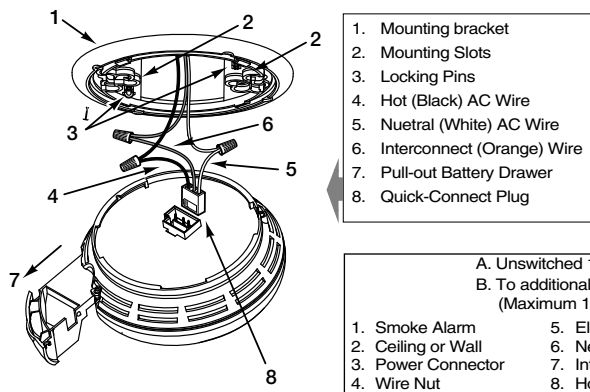
The smoke alarm shall be a BRK Model 3120B and shall provide at a minimum the following features and functions:

- Two smoke sensing chambers - photoelectric and ionization.
- Powered by 120V AC, 60Hz and have a monitored battery backup and a solid state piezo horn rated at 85dB at 10 ft. and shall be capable of self restoring.
- A visual power-on indicator to confirm unit is receiving AC power or has switched to battery backup mode.
- Two Latching features: Alarm Latch to easily identify initiating alarm after alarm condition has subsided. Low battery latch: to visually identify which unit is in low battery condition. Two Silence Features: Alarm Silence to temporarily silence nuisance alarms. Low Battery Silence to silence low battery chirp for up to 8 hours.
- Two Locking features - tamper resistant locking pins that lock battery drawer and/or alarm to mounting bracket.
- The unit shall be capable of operating between 40°F (4°C) and 100°F (38°C) and relative humidity between 10% and 95%.
- The unit shall have a plug in connector and be capable of interconnection of up to 18 alarms, 12 of which can be smoke alarms.
- The unit shall have a gasketless base for easy installation and be capable of keeping alarm secure over a wide rotation range to allow for true alarm alignment.
- The unit shall at a minimum meet the requirements of UL217, CSFM, NFPA 72 and the ICC.

INSTALLATION OF ALARM

Installation of this smoke alarm must conform to all local electrical codes and Article 760 of the National Electrical Code (NFPA 70) and NFPA 72. Interconnected units must meet the following requirements: wire gauge to be per local codes. It is recommended that all units be on the same fuse or circuit breaker. If local codes do not permit, be sure the neutral wire is common to both phases.

THE PARTS OF THIS SMOKE ALARM



A. Unswitched 120VAC 60 Hz source
 B. To additional units; Maximum = 18 total (Maximum 12 Smoke Alarms)

- | | |
|--------------------|-------------------------------|
| 1. Smoke Alarm | 5. Electrical Box |
| 2. Ceiling or Wall | 6. Neutral Wire (White) |
| 3. Power Connector | 7. Interconnect Wire (Orange) |
| 4. Wire Nut | 8. Hot Wire (Black) |

TECHNICAL SPECS

Alarm Dimensions:	5.0" dia x 2.0"H
Weight:	9.5 oz
Operating Voltage:	120V AC 60Hz with two 1.5V AA battery backup
Operating Current:	0.07 amps (standby/alarm)
Temperature Range:	40°F (4°C) to 100°F (38°C)
Humidity Range:	10% to 95% relative humidity (RH)
Audio Alarm:	85dB at 10 feet
Test/Silence:	Electronically simulates smoke condition, causing the unit to alarm. Press and hold test/silence button
Alarm Reset:	Automatic when smoke clears
Interconnections:	Up to 18 units of First Alert or BRK Smoke, CO and Heat Alarms. Maximum of 12 smoke alarms. See user's manual for details.
Smoke Sensors:	Photoelectric and Ionization
Indicator Lights/Sounds:	
AC Power:	Constant Green LED
DC Power:	Intermittent Green LED
Local Alarm:	Red LED flashes rapidly
Remote Alarm:	Red LED off
Alarm Latch:	LED flashes red 2 sec on, 2 sec off after local alarm stops
Low Battery Latch:	LED flashes green 2 sec on, 2 sec off
Listing:	Listed to UL217 Standard

SHIPPING SPECS:

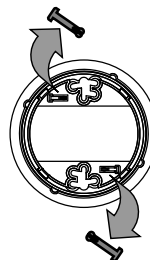
Individual Carton Dimensions	5.13"L x 2.38"W x 5.13"H
Weight	0.73 lbs.
Cube	0.04 ft3
UPC	0 29054 00710 0
Master Carton Dimensions	10.75"L x 7.88"W x 11.06"H
Master Pack	12
Weight	9.3 lbs.
Cube:	0.54 ft3
I2of5:	200 29054 00710 4

Pallet Information

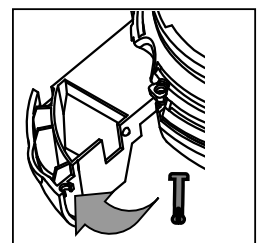
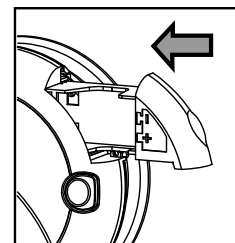
Cases per Layer	22
Number of Layers:	4
Cases per Pallet:	88
Units per pallet:	1,056
Cube:	54.0 ft3
Weight:	879 lbs.

BATTERY DRAWER LOCK

Remove Pin from Mounting Bracket



Close Door. Insert Pin in Holes through alarm and Battery Drawer



©2011 BRK Brands, Inc. a Jarden Corporation
 Company (NYSE: JAH)
 3901 Liberty Street Road
 Aurora, IL 60504-8122
 All rights reserved

First Alert is a registered trademark of the First Alert Trust
 BRK is a registered trademark of BRK Brands, Inc.
 CM3037