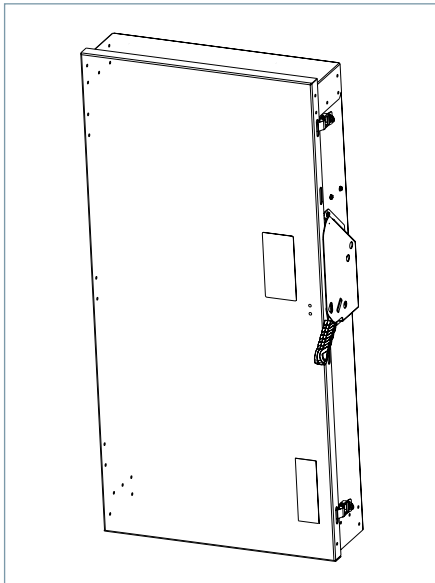


## General Duty Safety Switch

400A 240V, Type 1

Data Sheet



### Standards and Ratings

- UL listed under file #E4776
- CSA listed under file #154852
- Meets NEMA Standard KS-1 for enclosed switches
- Meets NEC wire bending space requirements
- Rated 10,000 AIC with Class H fuses or 100,000 AIC with Class R, J and T fuses
- Suitable for use as service entrance equipment

### Features

- Quick-make and break switching action
- Visible blade design
- Highly visible ON/OFF indication
- Modular design allows quick and easy replacement of parts
- Single cover interlock
- Lay in Lugs for easy wiring
- Can utilize either one large or two small wires
- Spring loaded heat sink fuse clip
- One piece line and load base for consistent phase-to-phase alignment
- Extra ground lug on neutral
- Tangential knock out

# Product Specifications

## General Duty 400A 240V, Type 1

General Information		
Catalog Number	Description	Shipping Weight
GF225NA	General Duty Fused 2 Pole 240V 400A Neutral Type 1, Indoor	91.1
GF325NA	General Duty Fused 3 Pole 240V 400A Neutral Type 1, Indoor	94.6
GFC225NA	CSA General Duty Fused 2 Pole 240V 400A Neutral Type 1, Indoor	91.1
GFC325NA	CSA General Duty Fused 3 Pole 240V 400A Neutral Type 1, Indoor	94.6
GNF325A	General Duty Non-Fused 3 Pole 240V 400A Type 1, Indoor	75

Maximum Horsepower Ratings								
Catalog Number	1 Phase, 240V AC	3 Phase, 240V AC	1 Phase, 480V AC	3 Phase, 480V AC	1 Phase, 600V AC	3 Phase, 600V AC	250V DC	600V DC
GF225NA	—	125	—	—	—	—	50	—
GF325NA	—	125	—	—	—	—	50	—
GFC225NA	—	125	—	—	—	—	50	—
GFC325NA	—	125	—	—	—	—	50	—
GNF325A	—	125	—	—	—	—	50	—

Accessories & Hub Kits	
Catalog Number	Description
HA161234	Aux. Switch (1NO - 1NC)
HA261234	Aux. Switch (2NO - 2NC)
HN656A	Neutral
HG656A	Ground Lug
HR65A	R Fuse (400A)
HCU656A	Copper Lug Kit <sup>①</sup>
HT25A	T Fuse (400A, 300V)

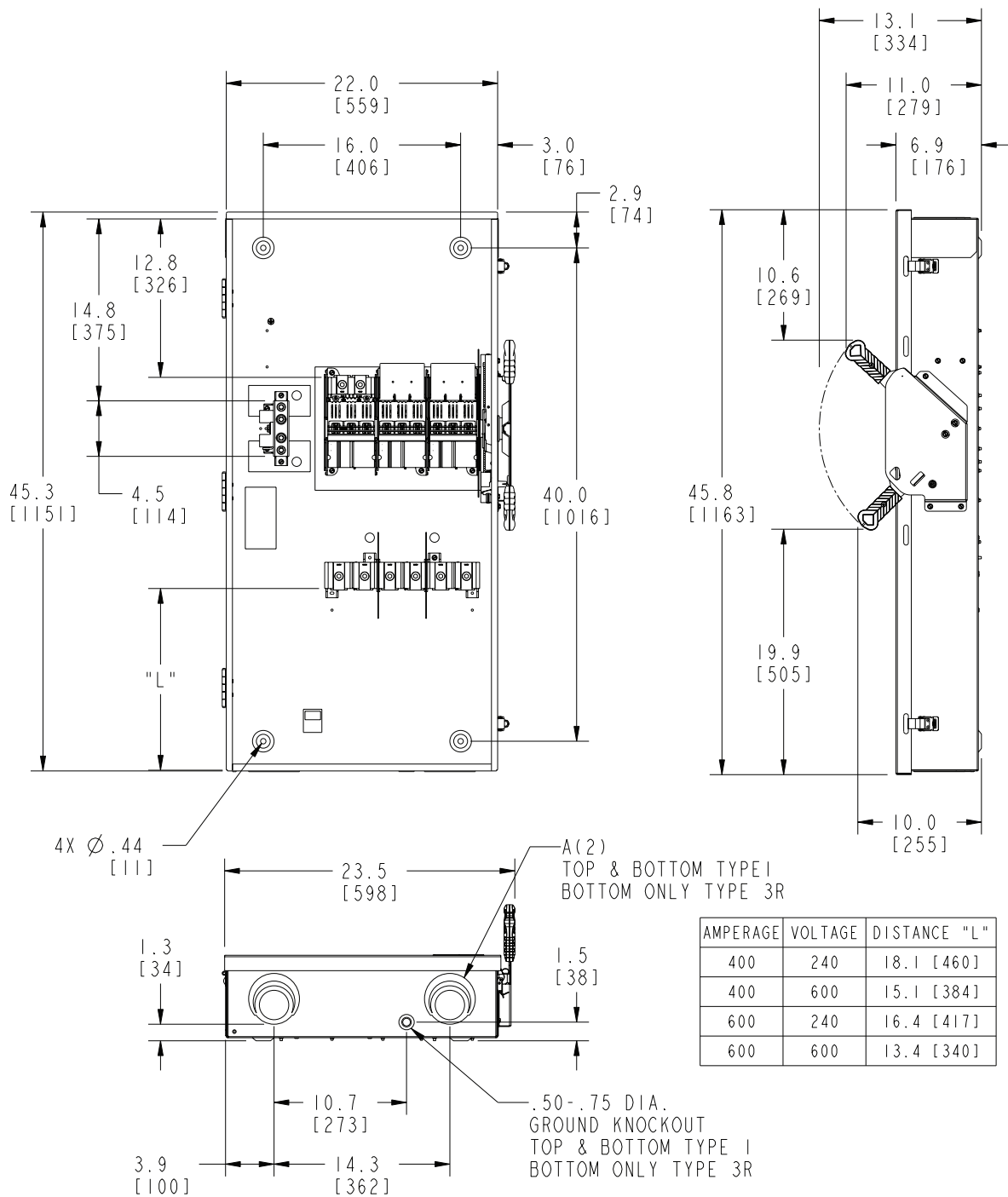
Replacement Parts	
Catalog Number	Description
HFB65A	Line Base Fused 400A
HBB65A	Load Base Fused 400A
HL656A	Lug Cap Kit (AL) 400-600A
HM656A	Mechanism 400A-600A
HH656A	Handle/Handle Guard 400A-600A
Catalog Number + "DOOR"	Door

Mechanical Lug Wire Ranges	
Description	Wire Range
Line, Load, & Main Neutral (Fusible)	(1) 1/0 AWG - 600 kcmil or (2) 1/0 AWG - 500 kcmil
100% Neutral	(2) 1/0 - 600 Kcmil or (2) 6 - 300 Kcmil
200% Neutral	(2) 1/0 - 600 Kcmil or (2) 6 - 300 Kcmil
Equipment Ground	(2) 14 - 2/0 AWG

<sup>①</sup> Purchase field replacement kit along with lugs. (See Speedfax pg. 4-20)

# Dimension Drawings

## General Duty 400A 240V, Type 1 (Fusible)

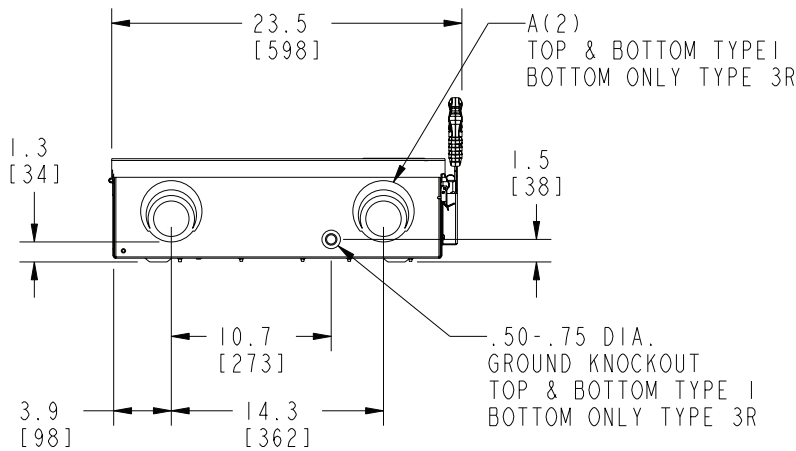
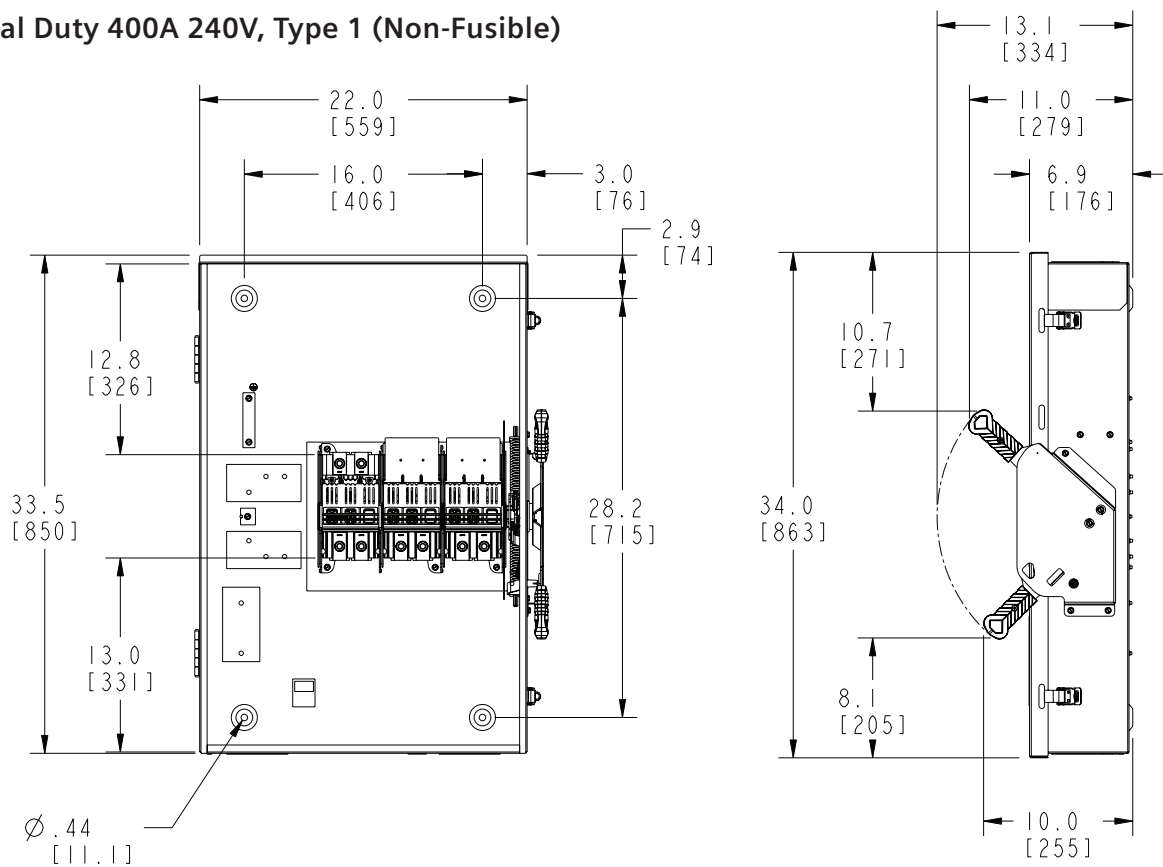


Dimensions shown in inches and millimeters [ ].  
Dimensions shown accurate to  $\pm 1/8$  inch.

KNOCKOUT CODE	CONDUIT SIZE			
	2.00	2.50	3.00	3.50
A (Tangential)				

Enclosure:  
Cold Rolled Steel Type 1  
Galvanized Steel Type 3R  
.060 thick (16 gauge)  
Finish: ANSI Grey #61 Paint

# General Duty 400A 240V, Type 1 (Non-Fusible)



Dimensions shown in inches and millimeters [ ].  
Dimensions shown accurate to  $\pm 1/8$  inch.

KNOCKOUT CODE	CONDUIT SIZE			
A (Tangential)	2.00	2.50	3.00	3.50

Enclosure:  
Cold Rolled Steel Type I  
Galvanized Steel Type 3R  
.060 thick (16 gauge)  
Finish: ANSI Grey #61 Paint

Siemens Industry, Inc.  
5400 Triangle Parkway  
Norcross, GA 30092

1-800-241-4453  
info.us@siemens.com

Order No. | Printed in USA |  
© 2015, Siemens Industry, Inc.

[www.usa.siemens.com/switches](http://www.usa.siemens.com/switches)

The information provided in this flyer contains merely general descriptions or characteristics of performance which in case of actual use do not always apply as described or which may change as a result of further development of the products. An obligation to provide the respective characteristics shall only exist if expressly agreed in the terms of contract.

All product designations may be trademarks or product names of Siemens AG or supplier companies whose use by third parties for their own purposes could violate the rights of the owners.