

Installation and Replacement of Fingersafe IP2X per IEC 60529 Main Circuit Breaker Covers and U.S. Service Entrance

Retain for future use.

Introduction

This bulletin contains instructions for installing, removing and replacing the parts listed below, in a Square D™ brand NQ, NF, I-Line™ or I-Line Combo panelboards manufactured by Schneider Electric. These instructions should be followed to install cables to the main circuit breaker in a panelboard equipped with U.S. Service Entrance kits.

NOTE: For technical support on the installation of these parts, contact the Schneider Electric Customer Information Center at 1-888-778-2733.

Safety Precautions

⚠ DANGER

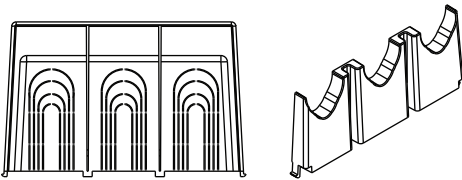
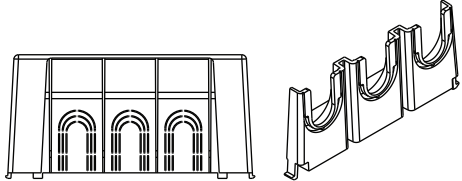
HAZARD OF ELECTRIC SHOCK, EXPLOSION, OR ARC FLASH

- Apply appropriate personal protective equipment (PPE) and follow safe electrical work practices. See NFPA 70E, CSA Z462, or NOM-029-STPS.
- This equipment must only be installed and serviced by qualified electrical personnel.
- Turn off all power supplying this equipment before working on or inside equipment.
- Always use a properly rated voltage sensing device to confirm power is off.
- Replace all devices, doors and covers before turning on power to this equipment.

Failure to follow these instructions will result in death or serious injury.

Parts Description

Table 1: Main Circuit Breaker Line Lug Cover Kits for U.S. Service Entrance

Catalog Number	Contents	Description	Application	
			IP2X per IEC 60529	U.S. Service Entrance
LALLC		LA/LH Line Lug Cover	NQ	NQ, NF, I-Line ^{a b}
HJQLLC		H/J/Q Line Lug Cover	NQ	NQ, NF ^b

Continued on next page

Table 1: Main Circuit Breaker Line Lug Cover Kits for U.S. Service Entrance *(continued)*

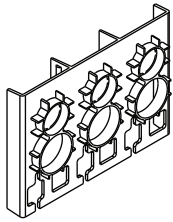
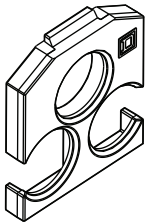
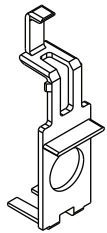
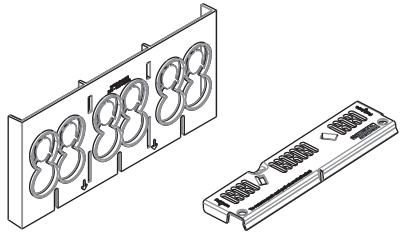
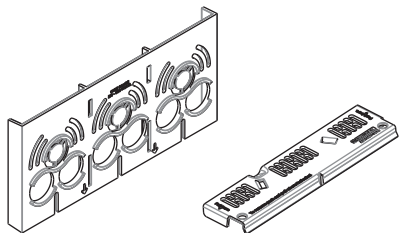
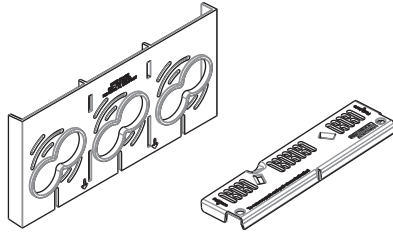
Catalog Number	Contents	Description	Application	
			IP2X per IEC 60529	U.S. Service Entrance
PPLLC		PowerPact L Line Lug Cover	—	NQ, NF, I-Line ^{a c}
PPPLLC		PowerPact P Line Lug Cover	—	NF ^d
EDBS		E Frame Line Lug Cover	—	NF ^d
ILMLC4W		M Frame 4 barrel Lug Cover	—	I-Line ^a
ILMLC3W		M Frame 3 barrel Lug Cover	—	I-Line ^a

Table 1: Main Circuit Breaker Line Lug Cover Kits for U.S. Service Entrance (continued)

Catalog Number	Contents	Description	Application	
			IP2X per IEC 60529	U.S. Service Entrance
ILMLC2W		M Frame 2 barrel Lug Cover	—	I-Line ^a

^a For I-Line applications, only to be used on vertical main circuit breakers. Not to be used on backfeed main circuit breakers.

^b These kits are for installation into panelboards manufactured after Jan 1st 2017.

^c Requires the use of the Medium Terminal Shield LTSM3P Installed on circuit breaker, not included in these kits.

^d Order 1 kit for each 3 pole breaker required. (i.e. A 3 pole breaker requires 1 kit).

Table 2: I-Line Backfeed Main Circuit Breaker Line Lug Cover Kits for U.S. Service Entrance (Replacement Side Cover)

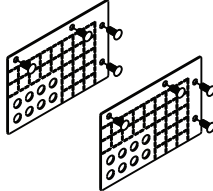
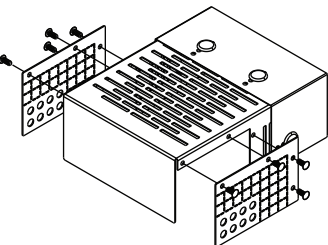
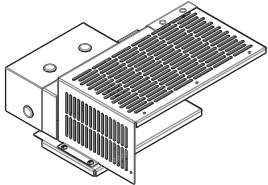
Replacement Side Cover Catalog Number	Contents	I-Line Panelboard Type	Circuit Breaker
ILBFMHCJHJUL		HCM, HCJ	H, J
ILBFMHCPHJUL		HCP	H, J
ILBFMHCPRLUL		HCP, HCR	LA, LH, L
ILBFMHCPMPHCRMUL		HCP, HCR	M
ILBFMHCRPRUL		HCP	P
		HCR	P, R

Table 3: I-Line Backfeed Main Circuit Breaker Line Lug Cover Kits for U.S. Service Entrance (Complete Kit)

Complete Kit Catalog Number ^e	Contents	I-Line Panelboard Type	Circuit Breaker
ILBFMHCJHJULC		HCM, HCJ	H, J
ILBFMHCPHJULC			H, J
ILBFMHCPLULC		HCP	LA, LH, L
ILBFMHCPMPULC			M, P
ILBFMHCRULC		HCR	LA, LH, L
ILBFMHCRMULC			M
ILBFMHCRPULC			P
ILBFMHCRRLC			R

^e These kits are for installation into panelboards manufactured after Jan 1st 2017.

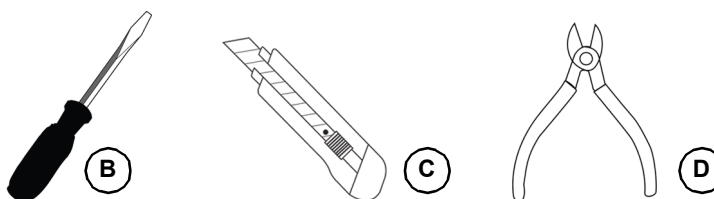
Table 4: I-Line Combo Main Circuit Breaker Line Lug Cover Kits for U.S. Service Entrance

Replacement Side Cover Catalog Number ^e	Contents	I-Line Panelboard Enclosure Width	Circuit Breaker
I-L-COMBLUL26W		26 inches	LA, LH, L
I-L-COMBMPUL26W		26 inches	M, P
I-L-COMBLUL32W		32 inches	LA, LH, L
I-L-COMBMPUL32W		32 inches	M, P
I-L-COMBLUL44W		44 inches	LA, LH, L
I-L-COMBMPUL44W		44 inches	M, P

^e These kits are for installation into panelboards manufactured after Jan 1st 2017.

Tools Needed

- A. #2 Square-head Robertson® driver
- B. Flathead screwdriver
- C. Utility knife
- D. Wire cutters
- E. File



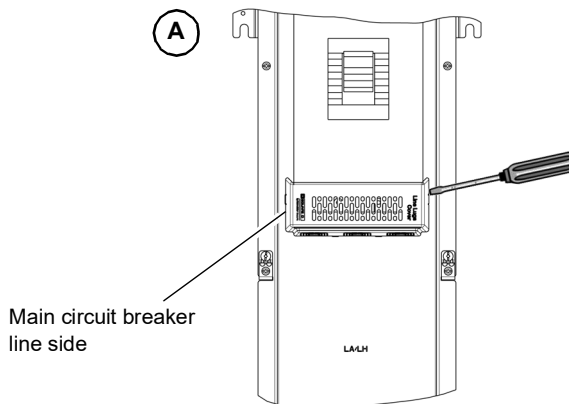
Installation

1. Turn off all power supplying this equipment before working inside the panelboard; follow all lockout/tag out procedures.
2. Remove trim-front assembly, refer to *NC Standard and Hinged Trim Fronts* instructions (document number 80043-740-01) for NQ and NF panels, and *I-Line 4-Piece Trim and Door Kits* instruction (document number 80043-449-03) for I-Line or I-Line Combo panelboards.
3. Remove the dead-front assembly, retaining the screws for reuse.
4. Continue the installation instructions following the steps required for each corresponding kit:

Main Circuit Breaker Line Lug Cover for HJQLL and LALLC Kits:

NOTE: Graphics show an NQ panel but the steps are also applicable for NF and I-line panels.

1. Unsnap the cover from the mounting pan, pushing in the snaps (A).



2. Rotate the cover, as shown, and pull (B, D).
3. Cut out the minimum openings (C) required for the wire gauge that will be used in the application. File off any burrs or sharp edges from the cutout openings.

⚠ DANGER

HAZARD OF ELECTRIC SHOCK, EXPLOSION OR ARC FLASH

- Do not cut openings larger than required for wire entry or exit.

Failure to follow these instructions will result in death or serious injury.

⚠ CAUTION

CUT HAZARD

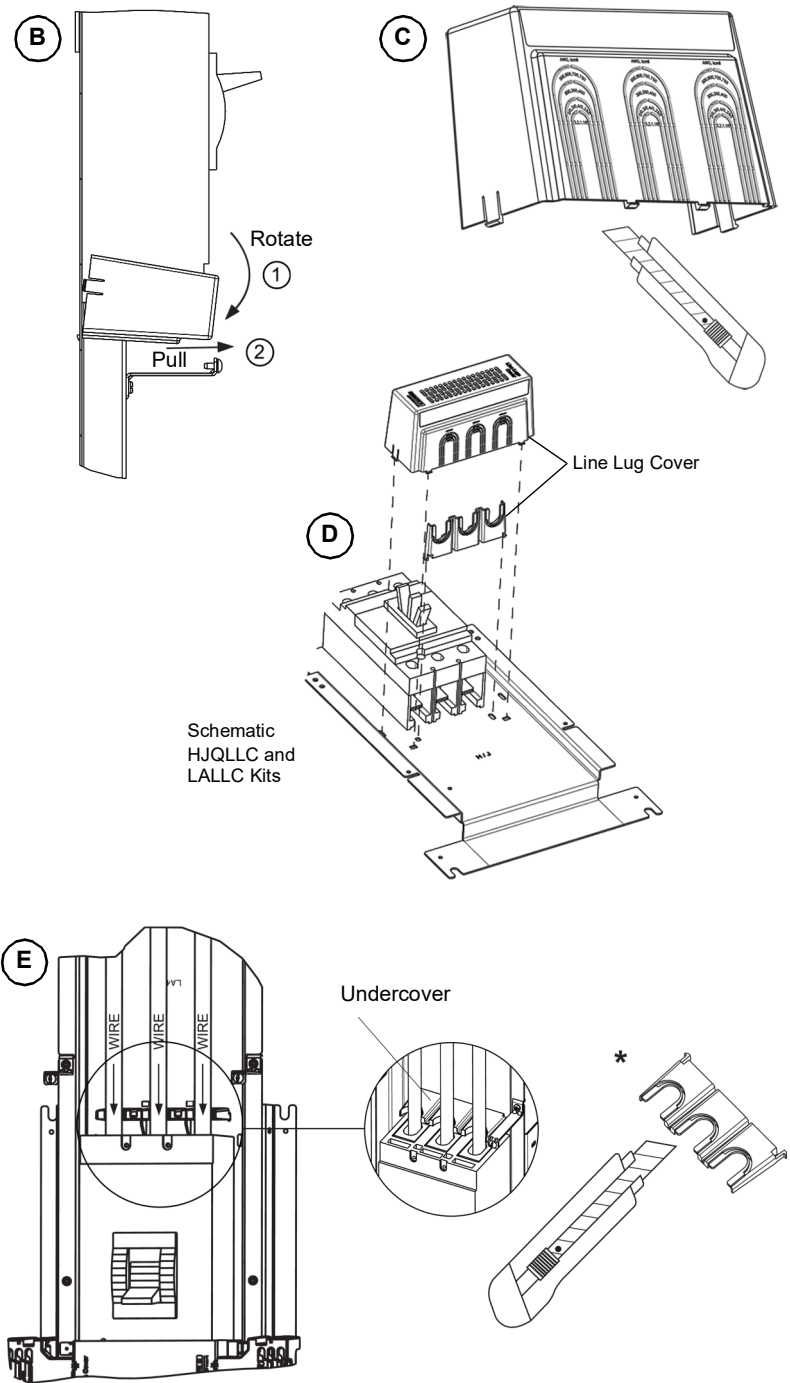
- Sharp blade. Always keep blade away from fingers and body.

Failure to follow these instructions could result in minor or moderate injury.

4. Make all necessary wire connections (E).
5. Re-locate the cover and secure using the snaps as in steps 2 and 3 of this kit.

* For H, J and Q main circuit breaker covers using wire gauges larger than 3/0 AWG remove the cut-outs on the undercover.

After all components have been installed for the kit, reinstall all covers and trims removed in steps 2 and 3 on page 4.



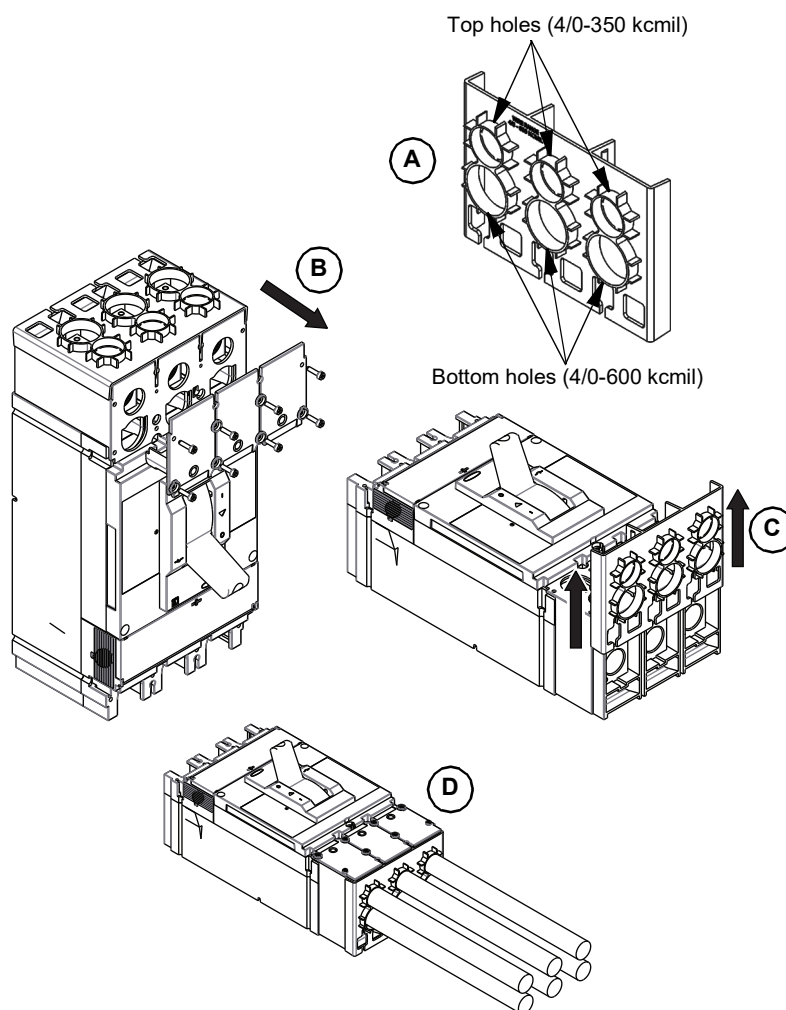
Main Circuit Breaker Line Lug Cover for P PLLC Kit:

The P PLLC kit requires that Medium Terminal Shield LTSM3P must be installed on the circuit breaker, (order separately if not already installed).

The P PLLC Lug shield contains two holes per phase (A), the top hole accepts up to 350 kcmil cable, the bottom hole accepts up to 600 kcmil cable.

NOTE: Do not use cable smaller than 4/0 with P PLLC lug shield.

1. Remove the lug cover (B) from the LTSM3P kit.
2. For applications requiring two cables per phase, slide the P PLLC lug shield up (C) and remove it from the circuit breaker, then follow Step 3 and 4.
3. Remove the top knockouts using the utility knife and file off any burrs or sharp edges from the cutout holes.
4. Reinstall the P PLLC lug shield back onto the circuit breaker (D).
5. Make all necessary wire connections.
6. Replace the lug cover that was removed in step 1 on page 6.
7. After all components have been installed for the kit, reinstall all covers and trims removed in steps 2 and 3 on page 4.



Main Circuit Breaker Line Lug Cover for PP PLLC Kit:

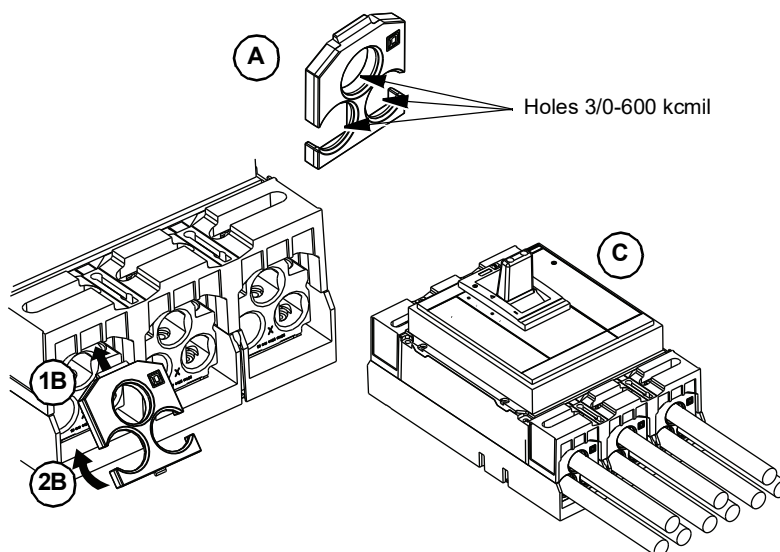
The PP PLLC kit includes 3 line lug covers, one for each phase.

The PP PLLC kits are for use with P-Frame Vertical Main Circuit breakers with AL800M23K or CU800M23K Lug installed.

The PP PLLC Lug shield contains three holes per phase (A), each one accepts up to 500 kcmil wire.

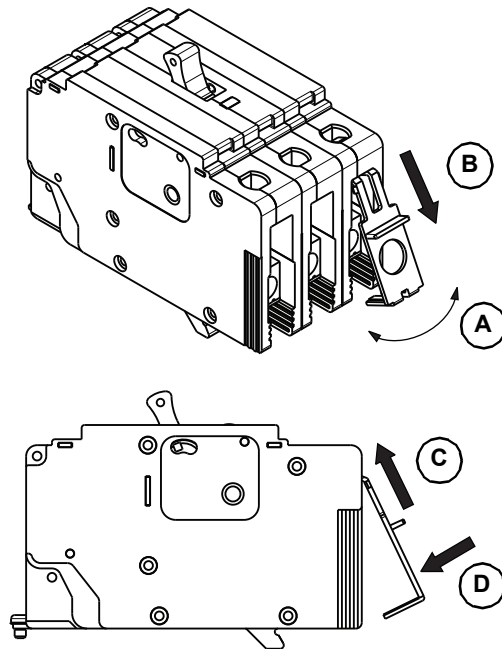
NOTE: Do not use wires smaller than 3/0 with PP PLLC lug shield.

1. For lug cover installation, insert top flange as shown (1B) and snap bottom flange in place by bending lug cover slightly into position (2B).
2. Before installation, strip the wire insulation back by 1 inch.
3. Install the wires in the circuit breaker per the instructions shipped with the circuit breaker (C).



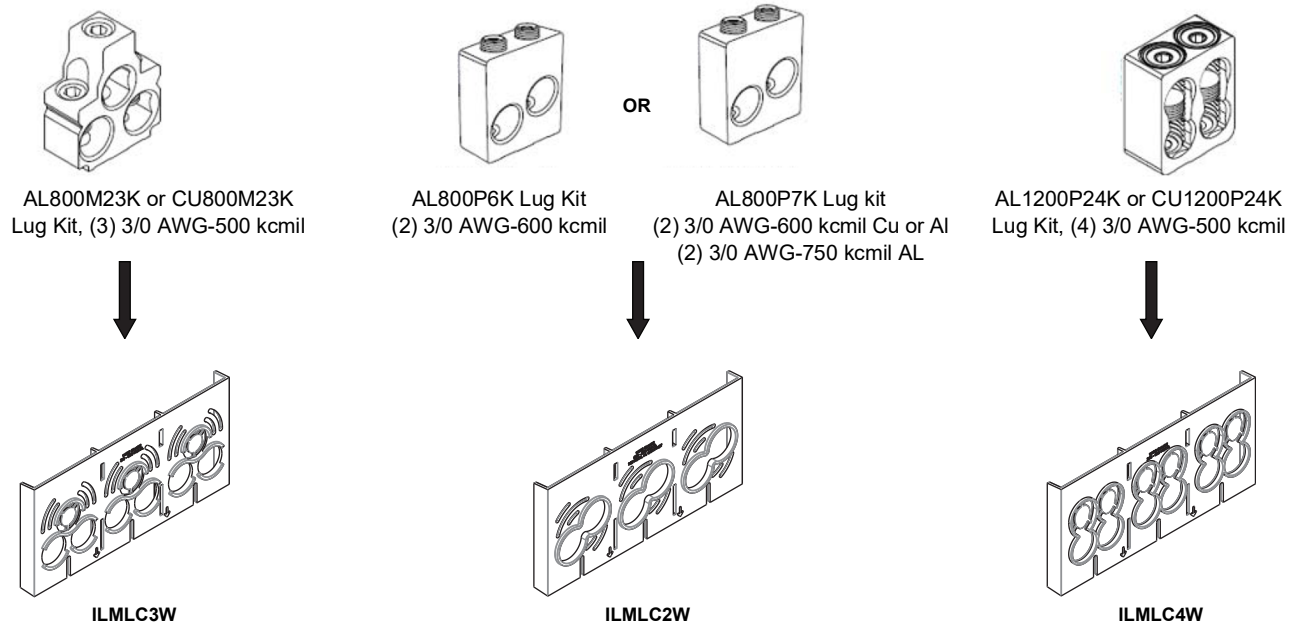
Main Circuit Breaker Line Lug Cover for EDBS Kit:

1. All initial wire connections can be made with the EDBS shield in place.
2. To remove the shield, disconnect any wire connections to the circuit breaker.
3. Pull from the wire connection opening of the shield (A) and slide the shield out from the load side of the circuit breaker (B).
4. Reinstall the shield in reverse by installing it from the load side of the circuit breaker (C) and hooking it up into the wire binding screw opening (D).
5. Make all necessary wire connections.
NOTE: Do not use wire smaller than 8 AWG with shield EDBS.
6. After all components have been installed for the kit, reinstall all covers and trims removed in steps 2 and 3 on page 4.



Main Circuit Breaker Line Lug Cover for ILMLC4W, ILMLC3W & ILMLC2W Kits:

ILMLC4W kit is for use with M frame Vertical Main Circuit breakers with AL1200P24K or CU1200P24K Lug installed
 ILMLC3W kit is for use with M frame Vertical Main Circuit breakers with AL800M23K or CU800M23K Lug installed
 ILMLC2W kit is for use with M frame Vertical Main Circuit breakers with AL800P6K or AL800P7K Lug installed

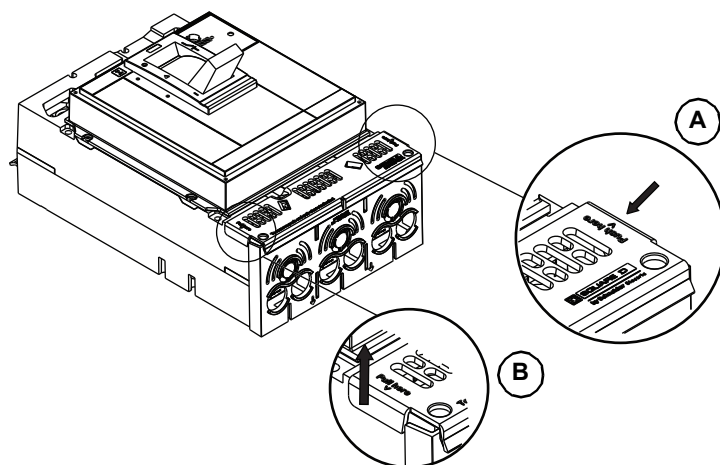


Installation

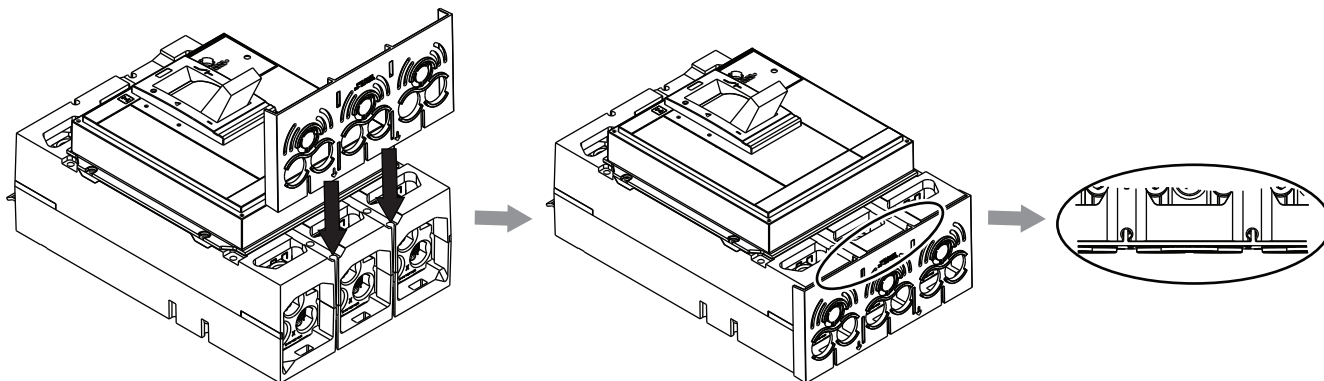
ENGLISH

1. For initial cable installation, first remove the top cover by pushing on the right hand side to disengage the left clip of the cover (A) and then pull off from the left hand side to complete the removal (B).

NOTE: If the top cover does not come off easily, use a screwdriver to disengage the two clips from the top of the circuit breaker.

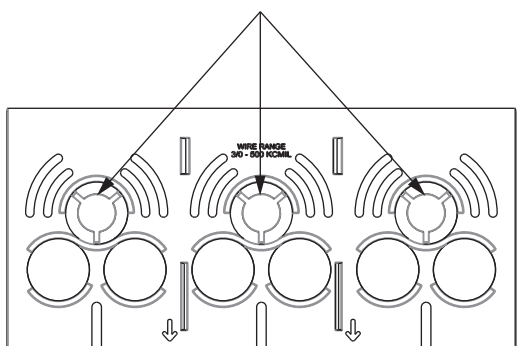


2. For removal or installation, the vertical shield barrier slides on and off onto the circuit breaker, using the two cylindrical features in the circuit breaker as a guide.

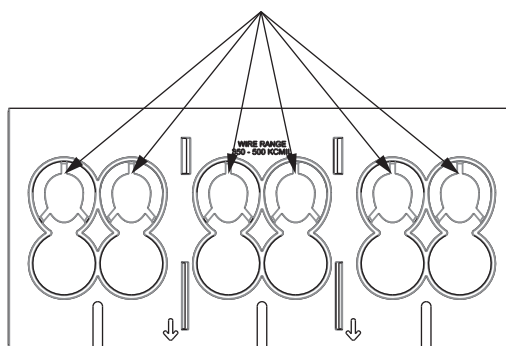


3. If 3 cables per phase are used with ILMC3W, or 3 or 4 cables per phase are used with ILMC4W, remove the corresponding knockouts from the vertical shield barriers (using a set of wire cutters) prior to cable installation, as shown below. File off any burrs or sharp edges from the cutout holes.

Remove knockouts when 3 wires are required per phase.



Remove 1 knockout per phase when 3 wires are required per phase.
Remove 2 knockouts per phase when 4 wires are required per phase.



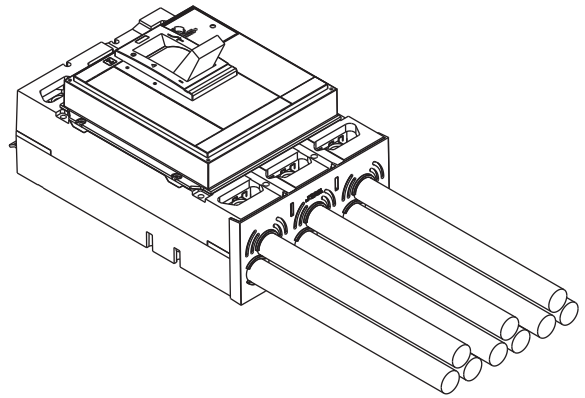
- Install wires in the circuit breaker per the instructions shipped with the circuit breaker.

NOTE:

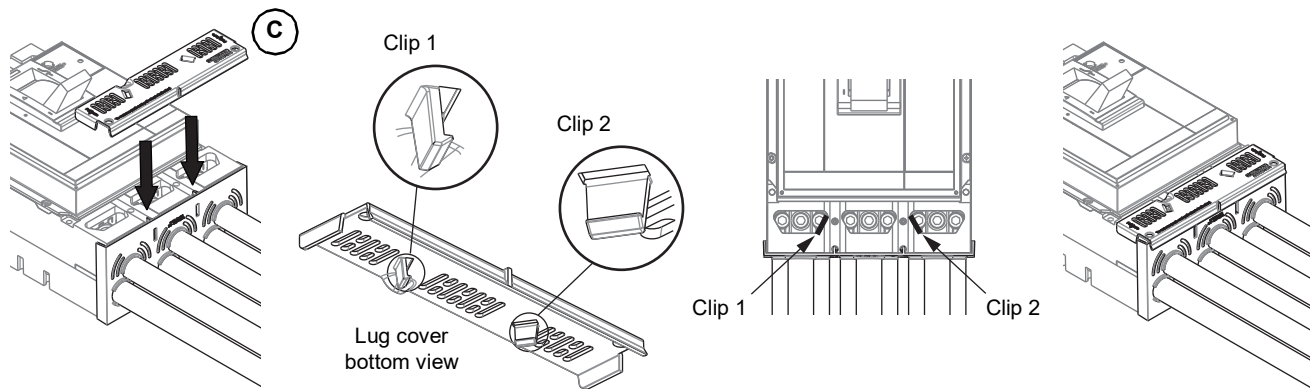
For shield **ILMLC2W**, do not use wire smaller than 500 kcmil in each opening.

For shield **ILMLC3W**, do not use wire smaller than 3/0 AWG in each opening.

For shield **ILMLC4W**, do not use wire smaller than 350 kcmil in each opening.



- Install the top cover (C) by snapping the two clips on the wire binding screw openings of the circuit breaker.



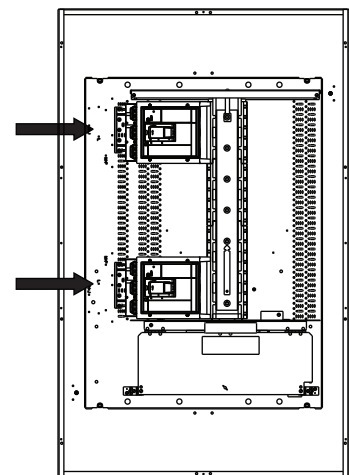
- After all components have been installed for the kit, reinstall all covers and trims removed in steps 2 and 3 on page 4.

I-Line backfeed main circuit breaker kits:

- Identify the backfeed main circuit breaker that will be used for U.S. service entrance; this circuit breaker is restricted to be placed in the top most or bottom most location of the branch area.

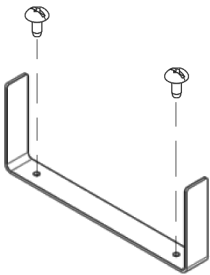
- Attach the wire guide to the mounting pan using two of the #10-32 screws supplied (A), using the holes in the mounting pan that match the holes in the wire guide.

NOTE: The wire guide has the same width as the circuit breaker and is aligned with the circuit breaker, as shown in the third picture below (B).

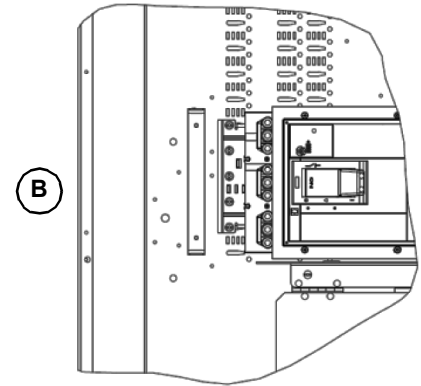
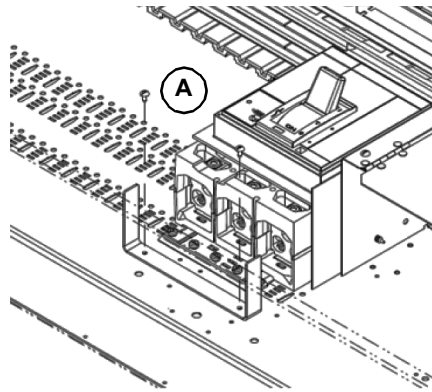


Installation

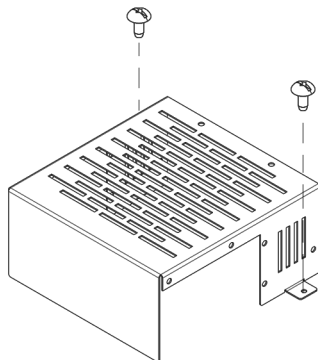
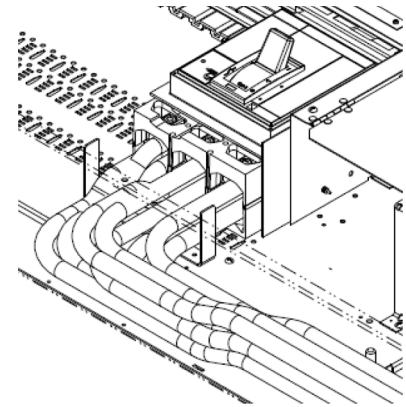
ENGLISH



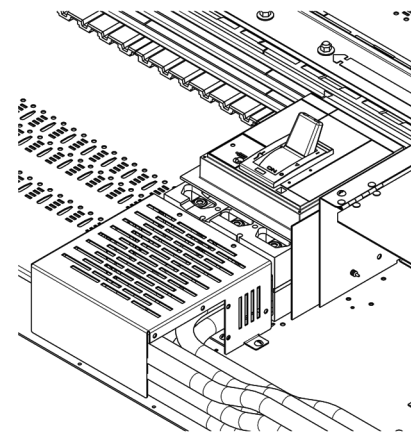
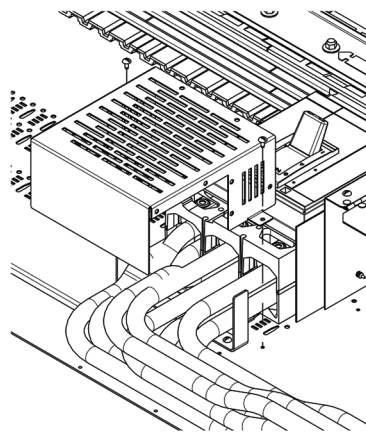
Wire guide and #10-32 screws



3. Install incoming wiring to circuit breaker using the wire guide to keep the incoming cables in position.
4. Install the metal cover over the wire guide, using two of the #10-32 screws supplied to attach it to the mounting pan.

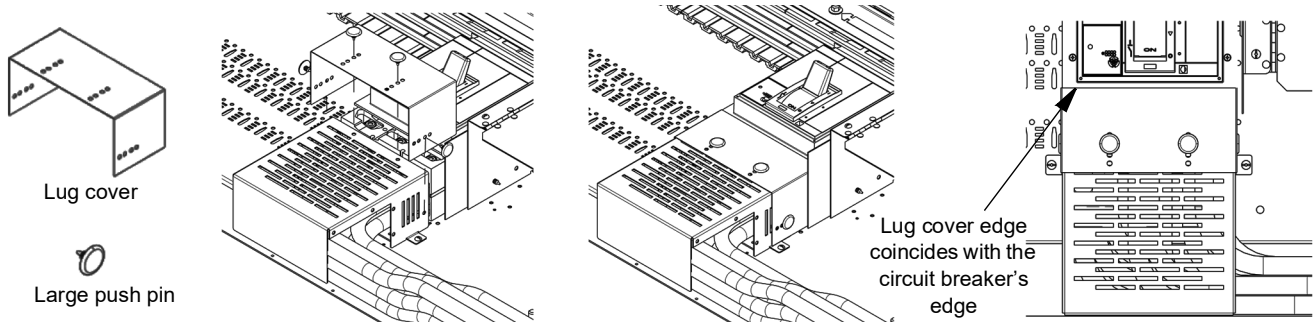


Metal cover and #10-32 screws

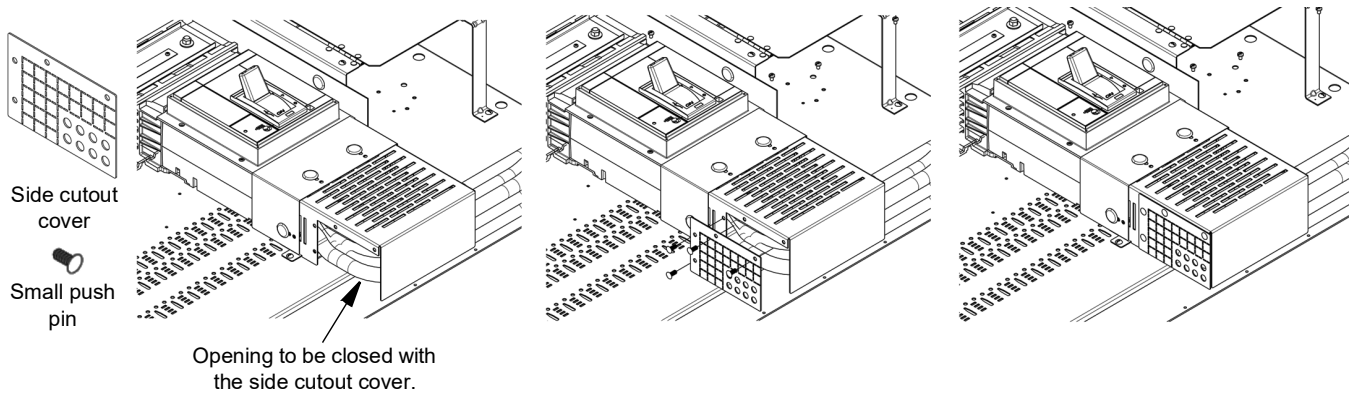


- Attach the lug cover to the metal cover using the four **large** push pins provided.

NOTE: The lug cover has multiple set of holes to mount it to the metal cover. Use the set of holes that makes the lug cover touch the circuit breaker's edge and completely cover the lug area, as shown in the fourth picture below.



- Using four **small** push pins, install the first side cutout cover to close the opening in the metal cover opposite to the cable entry



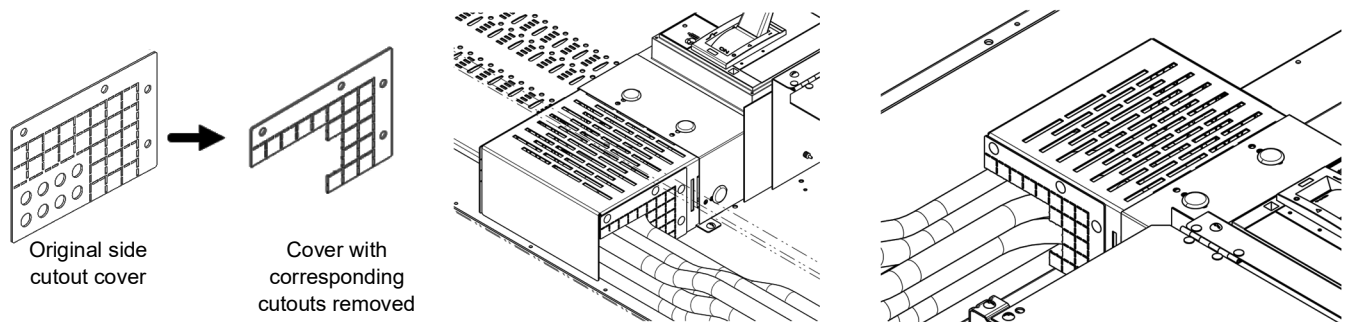
- On the cutout cover that covers the incoming cables to the circuit breaker, identify which cutouts are necessary to be removed in order to allow the cables to pass through. Using a set of wire cutters, remove the excess cutouts from the side cover necessary to clear the incoming cables and then install it on the metal cover using the provided small push pins.

⚠ DANGER

HAZARD OF ELECTRIC SHOCK, EXPLOSION OR ARC FLASH

Do not cut openings larger than required for wire entry or exit.

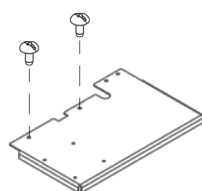
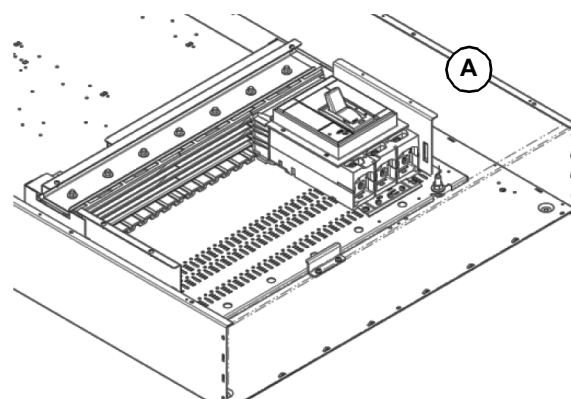
Failure to follow these instructions will result in death or serious injury.



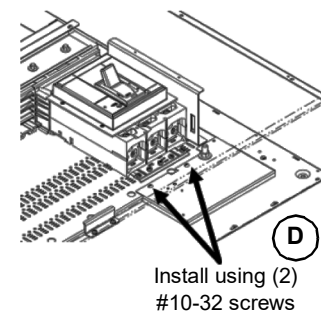
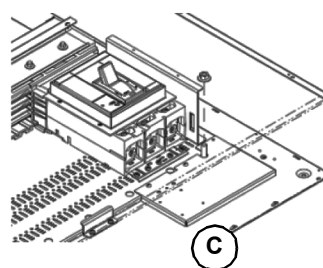
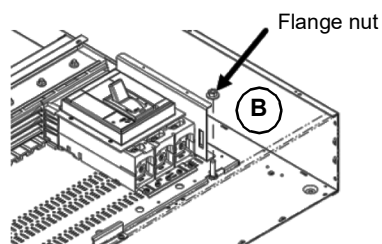
8. To replace a side cutout cover, remove the push pins securing it with a set of pliers and replace with a new set of push pins provided in the replacement kit.
9. After all components have been installed for the kit, reinstall all covers and trims removed in steps 2 and 3 on page 4.

For I-Line Combo Main Circuit Breaker Line Lug Cover Kits

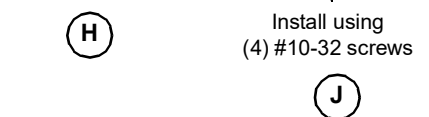
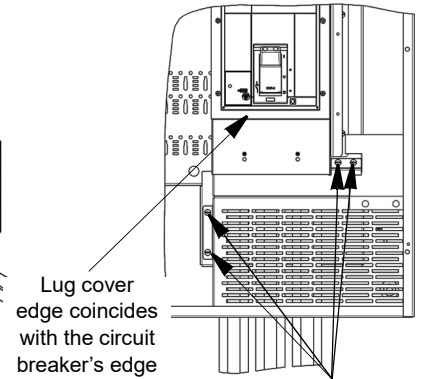
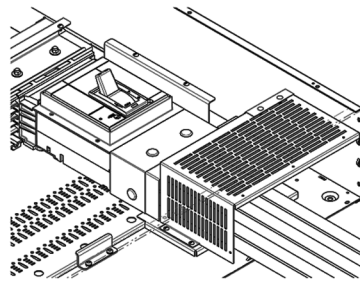
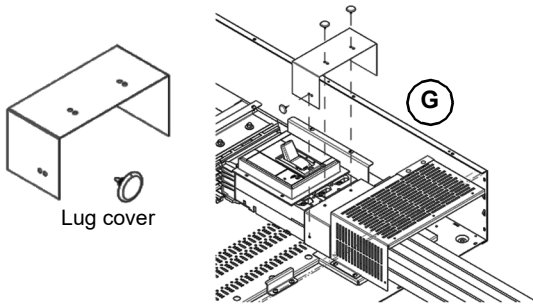
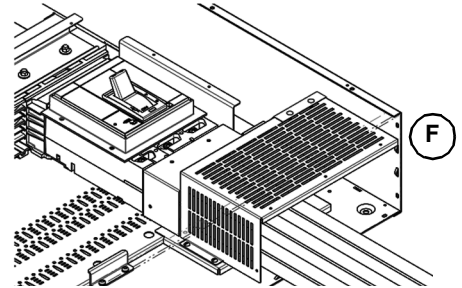
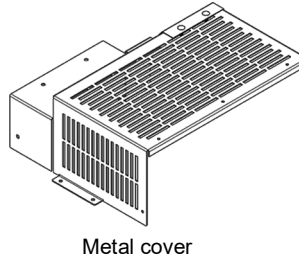
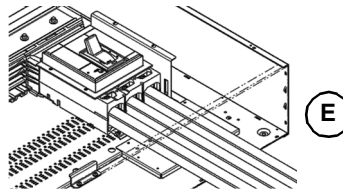
1. The main circuit breaker needs to be installed in the right most position of the I-Line Combo panel (A) prior to installing the service entrance barrier kit.
2. Remove the interior's flange nut (B) used to fix the interior to the box enclosure, then mount the mounting pan extension over the interior's mounting pan (C). Secure it with the two # 10-32 screws provided (D), then re-install the interior's flange nut, as shown in the pictures below (D).



Mounting pan extension and #10-32 screws



3. Install the incoming wires (E).
4. Install the metal cover (F) by attaching it to the mounting pan extension using four #10-32 screws provided (J).
5. Attach the lug cover to the metal cover using the three large push pins provided (G). The lug cover has multiple sets of holes to mount it to the metal cover. Use the set of holes that makes the lug cover touch the circuit breaker's edge and completely covers the lug area (H).
6. After all components have been installed for the kits, reinstall all covers and trims removed in steps 2 and 3 on page 4.



Schneider Electric USA, Inc.
800 Federal Street
Andover, MA 01810 USA
888-778-2733
www.schneider-electric.us

Electrical equipment should be installed, operated, serviced, and maintained only by qualified personnel. No responsibility is assumed by Schneider Electric for any consequences arising out of the use of this material.

Schneider Electric and Square D are trademarks owned by Schneider Electric Industries SAS or its affiliated companies. All other trademarks are the property of their respective owners.

Instalación y sustitución de las cubiertas con protección para dedos IP2X según la norma IEC 60529 para interruptor automático principal entrada de acometida de Estados Unidos

Conservar para su uso futuro.

Introducción

Este boletín contiene las instrucciones para instalar, desmontar y sustituir las piezas que se detallan a continuación en un tablero I-Line™ combinado, o bien, en un tablero NQ, NF, I-Line marca Square D™ fabricados por Schneider Electric. Estas instrucciones deben seguirse para instalar los conductores en el interruptor automático principal en un tablero equipado con kits de entrada de acometida de los Estados Unidos. **NOTA:** Para obtener asistencia técnica sobre la instalación de estas piezas, póngase en contacto con el Centro de información al cliente de Schneider Electric llamando al 1-888-778-2733.

Precauciones de seguridad

⚠ PELIGRO

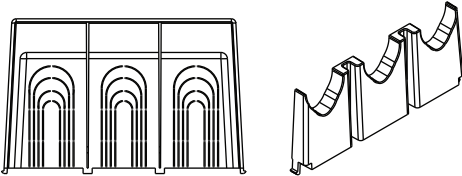
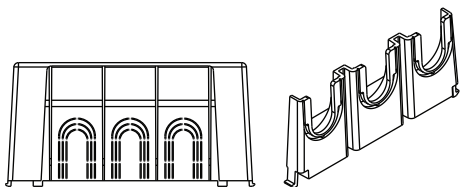
PELIGRO DE DESCARGA ELÉCTRICA, EXPLOSIÓN O DESTELLO POR ARQUEO

- Utilice equipo de protección personal (EPP) apropiado y siga las prácticas de seguridad eléctrica establecidas por su Compañía. Consulte las normas NFPA 70E, CSA Z462, o NOM-029-STPS.
- Solo el personal eléctrico calificado deberá instalar y prestar servicios de mantenimiento a este equipo.
- Desconecte toda la alimentación que suministra al equipo antes de realizar cualquier trabajo en el equipo o dentro de él.
- Utilice siempre un dispositivo detector de tensión de valor nominal adecuado para confirmar la desenergización del equipo.
- Reemplace todos los dispositivos y las cubiertas antes de volver a energizar el equipo.

El incumplimiento de estas instrucciones puede causar la muerte o lesiones graves.

Descripción de las piezas

Tabla 1: Kits de cubiertas de zapatas de línea para interruptor automático principal para su uso en entrada de acometida de Estados Unidos

Número de catálogo	Contenido	Descripción	Aplicación	
			IP2X según IEC 60529	Entrada de acometida de Estados Unidos
LALLC		Cubierta de zapatas de línea LAL/LH	NQ	NQ, NF, I-Line ^{a b}
HJQLLC		Cubierta de zapatas de línea H/J/Q	NQ	NQ, NF ^b

Continúa en la siguiente página

Tabla 1: Kits de cubiertas de zapatas de línea para interruptor automático principal para su uso en entrada de acometida de Estados Unidos (continuación)

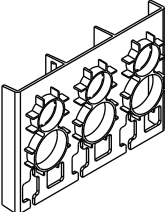
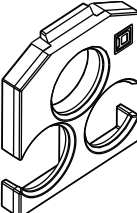
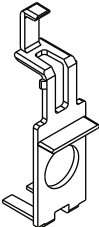
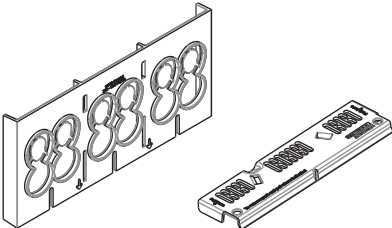
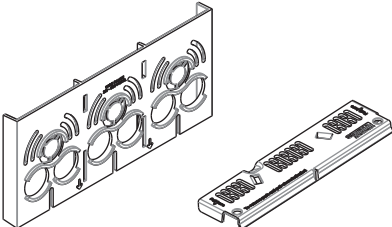
Número de catálogo	Contenido	Descripción	Aplicación	
			IP2X según IEC 60529	Entrada de acometida de Estados Unidos
PPLLC		Cubierta de zapatas de línea PowerPact L	—	NQ, NF, I-Line ^{a c}
PPPLLC		Cubierta de zapatas de línea PowerPact P	—	NF ^d
EDBS		Cubierta de zapatas de línea marco E	—	NF ^d
ILMLC4W		Cubierta de zapatas (4 agujeros cilíndricos) marco M	—	I-Line ^a
ILMLC3W		Cubierta de zapatas (3 agujeros cilíndricos) marco M	—	I-Line ^a

Tabla 1: Kits de cubiertas de zapatas de línea para interruptor automático principal para su uso en entrada de acometida de Estados Unidos (continuación)

Número de catálogo	Contenido	Descripción	Aplicación	
			IP2X según IEC 60529	Entrada de acometida de Estados Unidos
ILMLC2W		Cubierta de zapatas (2 agujeros cilíndricos) marco M	—	I-Line ^a

^a Para aplicaciones I-Line, solo para ser utilizada en interruptores automáticos principales verticales. No es adecuada para su uso en interruptores automáticos principales de alimentación inversa.

^b Estos kits son para su instalación en tableros fabricados después del 1 de enero de 2017.

^c Requiere el uso del blindaje de terminal intermedia LTSM3P instalado en el interruptor automático, no incluido en estos kits.

^d Solicite 1 kit para cada interruptor automático de 3 polos necesario. (por ejemplo, un interruptor automático de 3 polos requiere 1 kit).

Tabla 2: Kits de cubiertas de zapatas de línea para interruptor automático principal de alimentación inversa I-Line para su uso en entrada de acometida de Estados Unidos (cubierta lateral de repuesto).

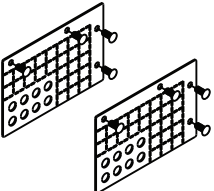
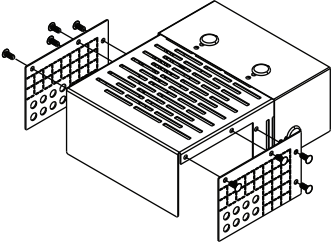
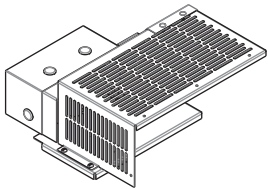
Número de catálogo de la cubierta lateral de repuesto	Contenido	Tipo de tableros I-Line	Interruptor automático
ILBFMHCJHJUL		HCM, HCJ	H, J
ILBFMHCPHJUL		HCP	H, J
ILBFMHCPRLUL		HCP, HCR	LA, LH, L
ILBFMHCPMPHCRMUL		HCP, HCR	M
ILBFMHCRPRUL		HCP	P
		HCR	P, R

Tabla 3: Kits de cubiertas de zapatas de línea para interruptor automático principal de alimentación inversa I-Line para su uso en entrada de acometida de Estados Unidos (Kit completo).

Kit completo Número de catálogo ^e	Contenido	Tipo de tableros I-Line	Interruptor automático
ILBFMHCJHJULC		HCM, HCJ	H, J
ILBFMHCPHJULC		HCP	H, J
ILBFMHCPPLULC			LA, LH, L
ILBFMHCPMPULC			M, P
ILBFMHCRRLULC		HCR	LA, LH, L
ILBFMHCRMULC			M
ILBFMHCRPULC			P
ILBFMHCRRLULC			R

^eEstos kits son para su instalación en tableros fabricados después del 1 de enero de 2017.

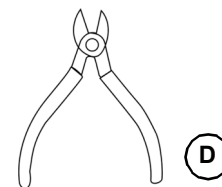
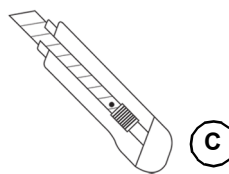
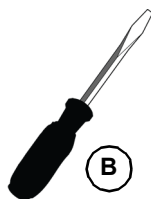
Tabla 4: Kits de cubiertas de zapatas de línea para interruptor automático principal combinado I-Line para su uso en entrada de acometida de Estados Unidos.

Número de catálogo de la cubierta lateral de repuesto ^e	Contenido	Ancho del gabinete del tablero I-Line	Interruptor automático
ILCOMBLUL26W		26 pulg	LA, LH, L
ILCOMBMPUL26W		26 pulg	M, P
ILCOMBLUL32W		32 pulg	LA, LH, L
ILCOMBMPUL32W		32 pulg	M, P
ILCOMBLUL44W		44 pulg	LA, LH, L
ILCOMBMPUL44W		44 pulg	M, P

^eEstos kits son para su instalación en tableros fabricados después del 1 de enero de 2017.

Herramientas necesarias

- Destornillador Robertson® n.º 2® (cabeza cuadrada)
- Destornillador de cabeza plana
- Cuchillo para uso general
- Corta alambres
- Lima



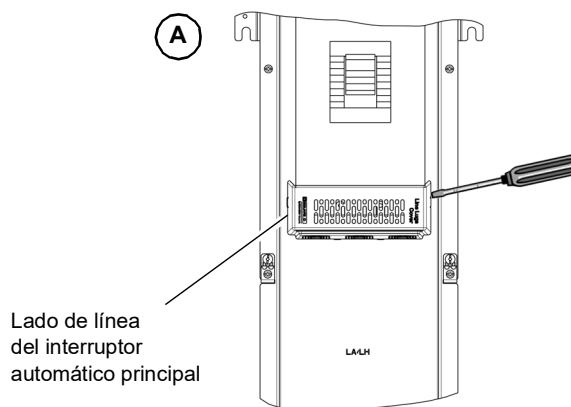
Instalación

- Desconecte toda la alimentación que suministra al equipo antes de realizar cualquier trabajo dentro del tablero y siga los procedimientos de bloqueo/etiquetado.
- Retire el ensamble de marco frontal, consulte *las instrucciones* Frentes con marco abisagrado y estándar NC (documento número 80043-740-01) para tableros NQ y NF, y *las instrucciones Kits para puerta y marco de 4 piezas I-Line* (documento número 80043-449-03) para tableros I-Line o combinados I-Line.
- Retire el ensamble de frente muerto y conserve los tornillos para volver a utilizarlos.
- Continúe con las instrucciones de instalación observando los pasos necesarios para cada kit correspondiente:

Cubierta de zapatas de línea del interruptor automático principal para los kits HJQLLC y LALLC:

NOTA: Los gráficos muestran un tablero NQ, pero estos pasos también son aplicables a los tableros NF y I-Line.

- Desmonte la cubierta de la bandeja de montaje, haciendo presión sobre los ganchos (A).



2. Gire la cubierta, como se muestra y jale (B, D).
3. Corte las aberturas mínimas (C) necesarias para el calibre del conductor que se utilizará en la aplicación. Quite la rebaba o lime los bordes filosos de los agujeros creados.

⚠ PELIGRO

PELIGRO DE DESCARGA ELÉCTRICA, EXPLOSIÓN O DESTELLO POR ARQUEO

- No haga agujeros de mayor tamaño que el necesario para la entrada o salida de los conductores.

El incumplimiento de estas instrucciones puede causar la muerte o lesiones graves.

⚠ PRECAUCIÓN

PELIGRO DE CORTE

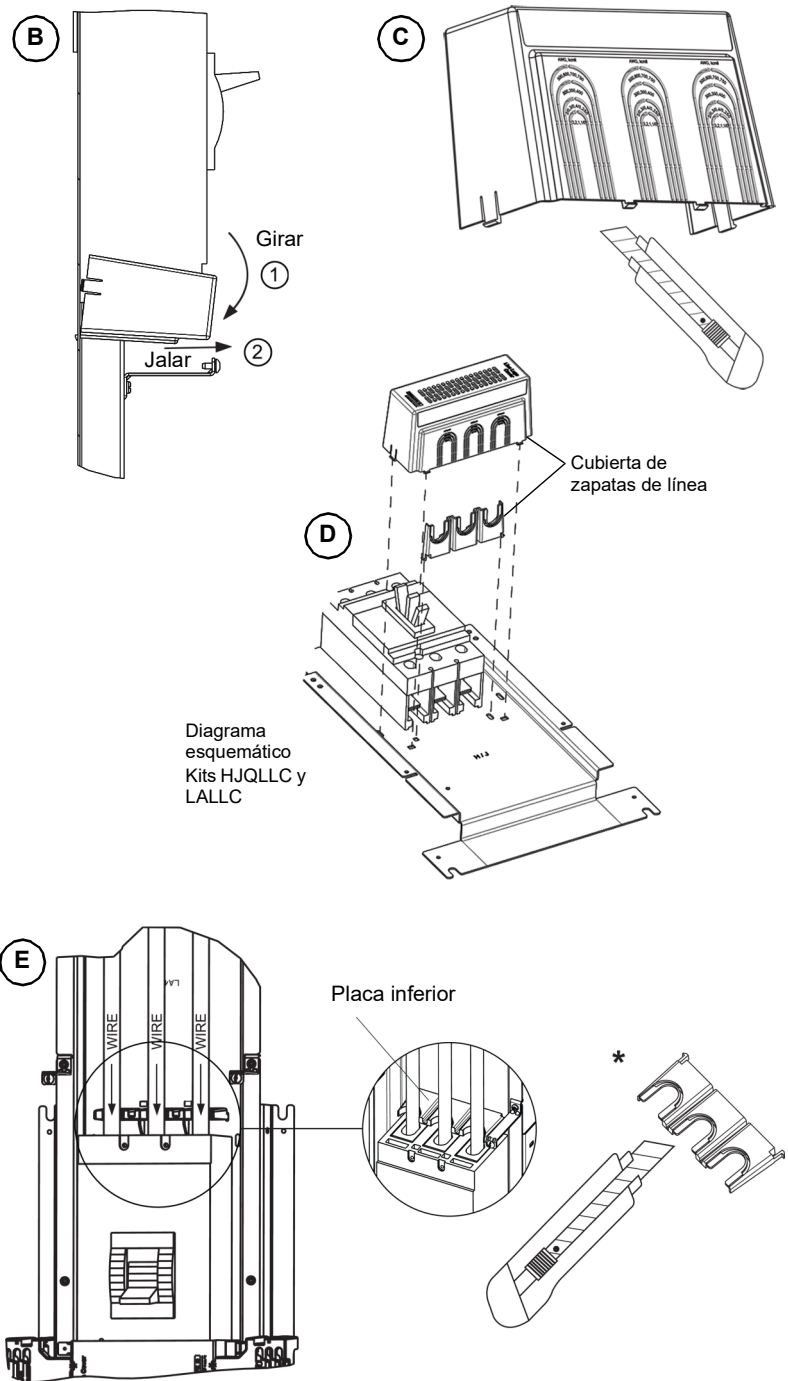
- Cuchilla filosa. Mantenga siempre la cuchilla alejada de los dedos y el cuerpo.

El incumplimiento estas instrucciones puede causar lesiones menores o moderadas.

4. Realice todas las conexiones de conductores (E) necesarias.
5. Vuelva a colocar la cubierta y sujétela con los ganchos de presión como se indica en los pasos 2 y 3 de este kit.

* Para las cubiertas de los interruptores automáticos principales H, J y Q que utilizan calibres de conductor más grandes que 3/0 AWG, quite los recortes de la placa inferior.

Después de haber instalado todos los componentes para el kit, vuelva a instalar todas las cubiertas y los marcos que desmontó en los pasos 2 y 3 de la página 4.



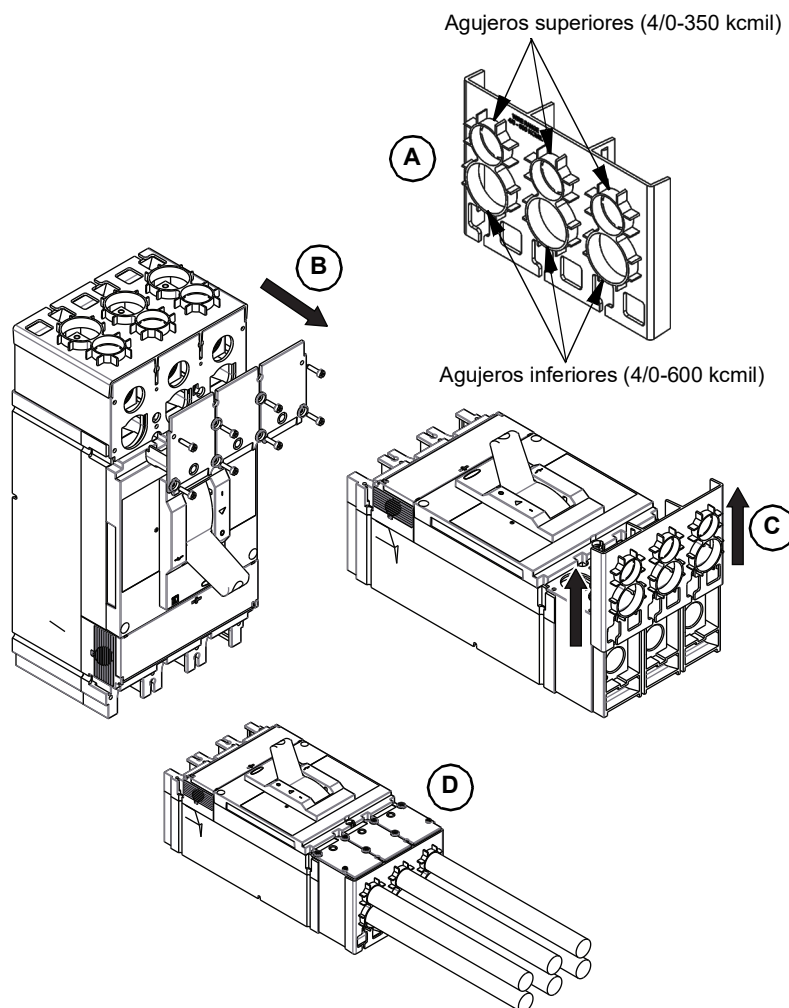
Cubierta de zapatas de línea del interruptor automático principal para el kit PPLLC:

El kit PPLLC requiere la instalación de un blindaje de terminal intermedia LTSM3P en el interruptor automático, (solicítelo por separado si no está instalado).

El blindaje de zapata PPLLC contiene dos agujeros por fase (A), el agujero superior acepta conductores de hasta 350 kcmil, el agujero inferior acepta conductores de hasta 600 kcmil.

NOTA: No use conductores más pequeños que 4/0 con el blindaje de zapata PPLLC.

1. Retire la cubierta de zapatas (B) del kit LTSM3P.
2. Para aplicaciones que requieren dos conductores por fase, deslice el blindaje de zapata PPLLC hacia arriba (C) y retírelo del interruptor automático, luego siga los pasos 3 y 4.
3. Retire los discos removibles superiores utilizando el cuchillo para uso general y quite la rebaba y lime los bordes filosos de los agujeros creados.
4. Vuelva a instalar el blindaje de zapata PPLLC en el interruptor automático (D).
5. Realice todas las conexiones de conductores necesarias.
6. Vuelva a colocar la cubierta de zapatas que retiró en el paso 1 de la página 6.
7. Después de haber instalado todos los componentes para el kit, vuelva a instalar todas las cubiertas y los marcos que desmontó en los pasos 2 y 3 de la página 4.



Cubierta de zapatas de línea del interruptor automático principal para el kit PPPLC:

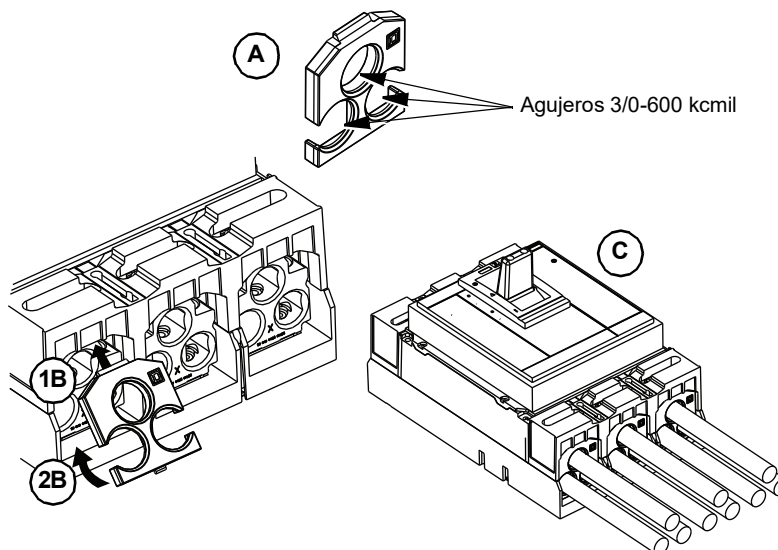
El kit PPPLC incluye 3 cubiertas de zapatas de línea, una para cada fase.

Los kits PPPLC se usan con interruptores automáticos principales verticales marco P con zapatas AL800M23K o CU800M23K instaladas.

El blindaje de zapata PPPLC contiene tres agujeros por fase (A), cada uno de ellos acepta conductores de hasta 500 kcmil.

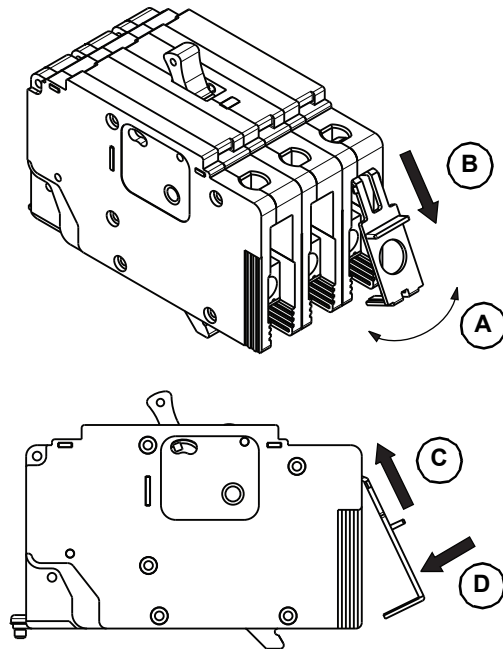
NOTA: No use conductores más pequeños que 3/0 con el blindaje de zapata PPPLC.

1. Para la instalación de la cubierta de zapatas, fije la brida superior, tal como se muestra en la figura (1B) y ajuste la brida inferior en su lugar curvando levemente la cubierta de zapatas hasta que esté fijada (2B).
2. Antes de realizar la instalación, corte 1 pulgada del aislante del conductor.
3. Instale los conductores en el interruptor automático según las instrucciones enviadas junto con el interruptor automático (C).



Cubierta de zapatas de línea del interruptor automático principal para el kit EDBS:

1. Todas las conexiones de conductores iniciales pueden hacerse con el blindaje EDBS en su lugar.
2. Para retirar el blindaje, desconecte las conexiones de conductores al interruptor automático.
3. Jale desde el agujero para la conexión de cable del blindaje (A) y deslice el blindaje hasta sacarlo del lado de carga del interruptor automático (B).
4. Vuelva a instalar el blindaje en el orden inverso al de su instalación desde el lado de carga del interruptor automático (C) y conectándolo en el agujero (D) del tornillo de sujeción de conductores.
5. Realice todas las conexiones de conductores necesarias.
NOTA: No utilice conductores de menor tamaño que 8 AWG con el blindaje EDBS.
6. Después de haber instalado todos los componentes para el kit, vuelva a instalar todas las cubiertas y los marcos que desmontó en los pasos 2 y 3 de la página 4.



Cubierta de zapatas de línea del interruptor automático principal para los kits ILMLC4W, ILMLC3W y ILMLC2W:

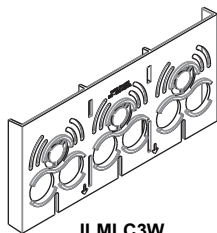
El kit ILMLC4W se usa con interruptores automáticos principales verticales marco M con zapatas AL1200P24K o CU1200P24K instaladas.

El kit ILMLC3W se usa con interruptores automáticos principales verticales marco M con zapatas AL800M23K o CU800M23K instaladas.

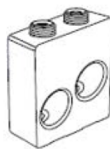
El kit ILMLC2W se usa con interruptores automáticos principales verticales marco M con zapatas AL800P6K o AL800P7K instaladas.



Kit de zapata AL800M23K o CU800M23K, (3) 3/0 AWG-500 kcmil



ILMLC3W

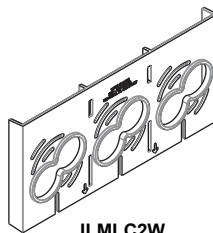


Kit de zapata AL800P6K (2) 3/0 AWG-600 kcmil

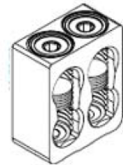
o



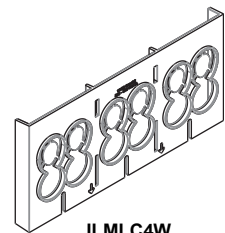
Kit de zapata AL800P7K (2) 3/0 AWG-600 kcmil (2) 3/0 AWG-750 kcmil AL



ILMLC2W



Kit de zapata AL1200P24K o CU1200P24K, (4) 3/0 AWG-500 kcmil

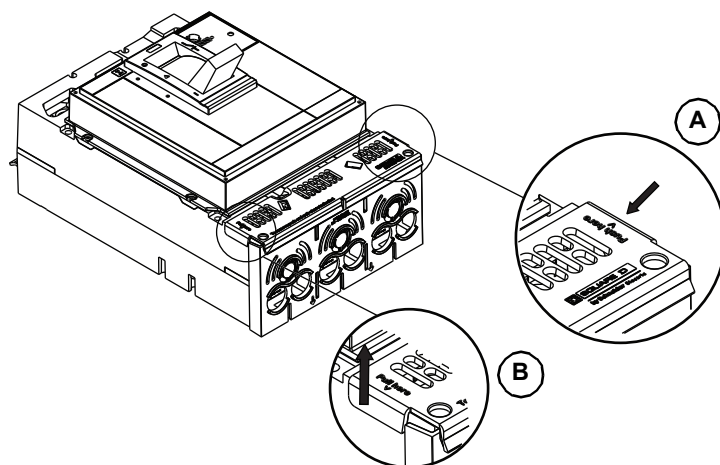


ILMLC4W

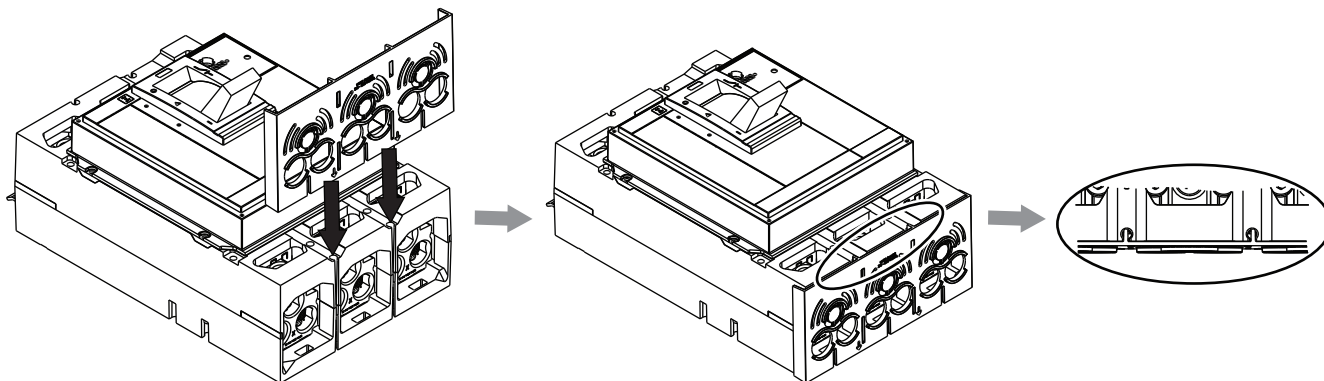
Instalación

1. Para la instalación inicial de conductores, primero retire la cubierta superior presionando sobre el lado derecho para desenganchar el clip izquierdo de la cubierta (A) y luego sacar desde el lado izquierdo para completar el desmontaje (B).

NOTA: Si la cubierta no se sale fácilmente, use un destornillador para soltar los dos clips desde la parte superior del interruptor.

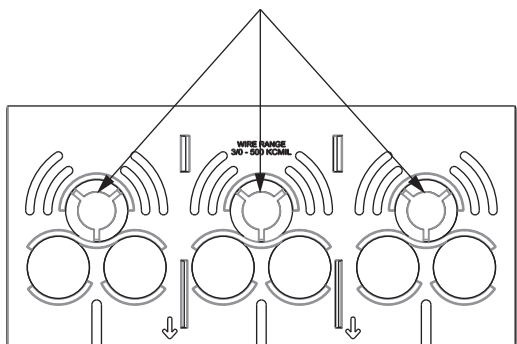


2. Para desmontar o instalar la barrera del blindaje vertical deslícela hacia arriba o hacia abajo usando los dos cilindros del interruptor automático como guía.

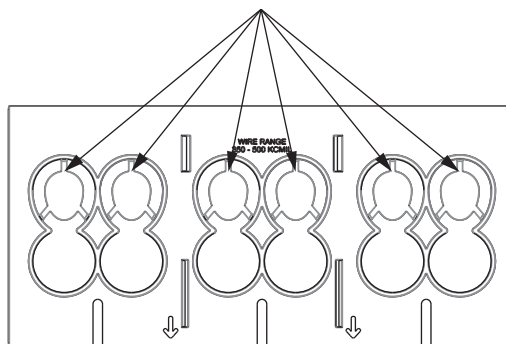


3. Si se utilizan 3 conductores por fase con el kit ILMC3W, o bien, 3 o 4 conductores por fase con el kit ILMC4W, retire los discos removibles correspondientes de las barreras de blindaje vertical (usando un corta alambres) antes de instalar los conductores, como se muestra a continuación. Quite la rebaba o lime los bordes filosos de los agujeros creados.

Retire los discos removibles cuando se requieran 3 conductores por fase.



Retire 1 disco removible por fase cuando se requieran 3 conductores por fase.
Retire 2 discos removibles por fase cuando se requieran 4 conductores por fase.



4. Instale los conductores en el interruptor automático según las instrucciones enviadas junto con el interruptor automático.

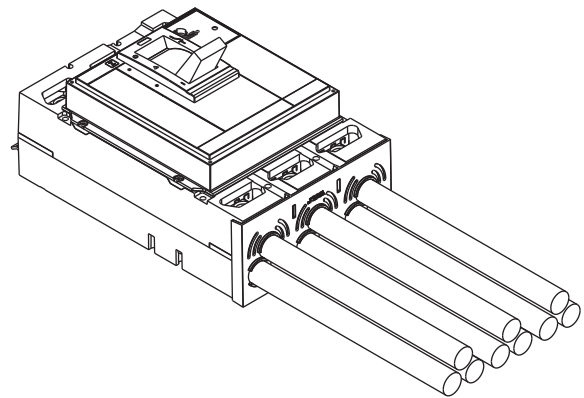
NOTA:

Para el blindaje **ILMLC2W**, no utilice conductores de un tamaño menor que 500 kcmil en cada agujero.

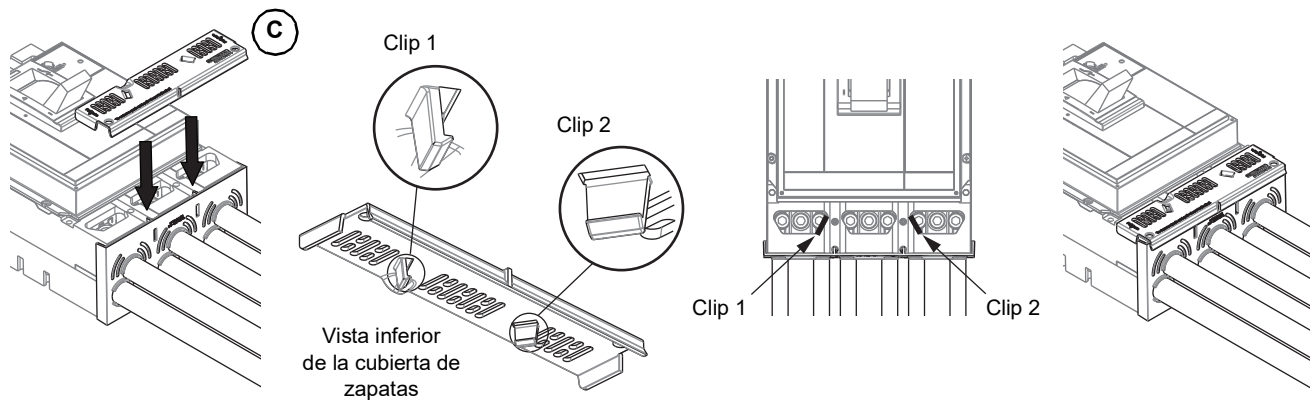
Para el blindaje **ILMLC3W**, no utilice conductores de un tamaño menor que 3/0 AWG en cada agujero.

Para el blindaje **ILMLC4W**, no utilice conductores de un tamaño menor que 350 kcmil en cada agujero.

5. Instale la cubierta superior (C) encajando los dos clips en los agujeros del tornillo de sujeción de conductores del interruptor automático.



ESPAÑOL



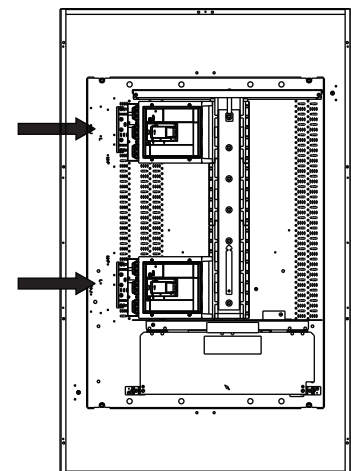
6. Después de haber instalado todos los componentes para el kit, vuelva a instalar todas las cubiertas y los marcos que desmontó en los pasos 2 y 3 de la página 4.

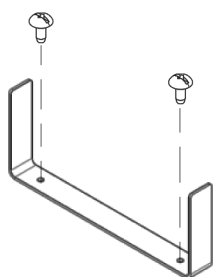
Kits de interruptor automático principal de alimentación inversa I-Line:

1. Identifique el interruptor automático principal de alimentación inversa que se utilizará para la entrada de acometida de Estados Unidos; este interruptor está limitado a colocarse en la ubicación más superior o más inferior del área de derivación.

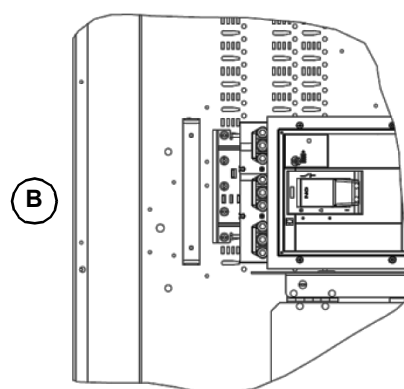
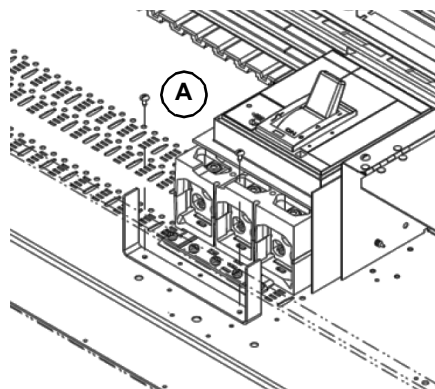
2. Fije la guía de conductores a la bandeja de montaje usando dos de los tornillos de 10-32 (A) suministrados, usando los agujeros en la bandeja de montaje que coincidan con los agujeros de la guía de conductores.

NOTA: La guía de conductores tiene el mismo ancho que el interruptor automático y está alineada con el interruptor, como se muestra en la tercera imagen (B) abajo.



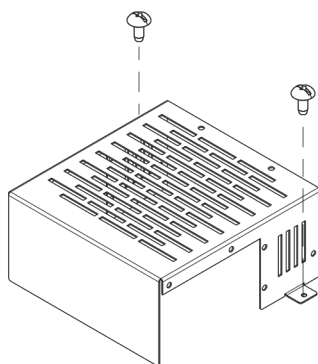
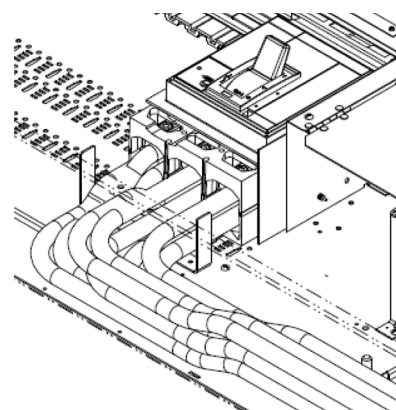


Guía de conductores y tornillos de 10-32

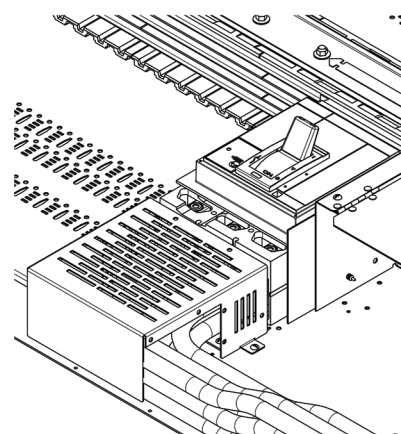
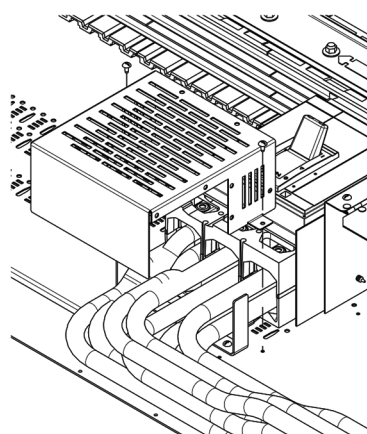


3. Instale el alambrado de entrada en el interruptor automático utilizando la guía para mantener los conductores de entrada en posición.

4. Instale la cubierta de metal sobre la guía de conductores, utilizando dos de los tornillos de 10-32 suministrados para fijarla a la bandeja de montaje.

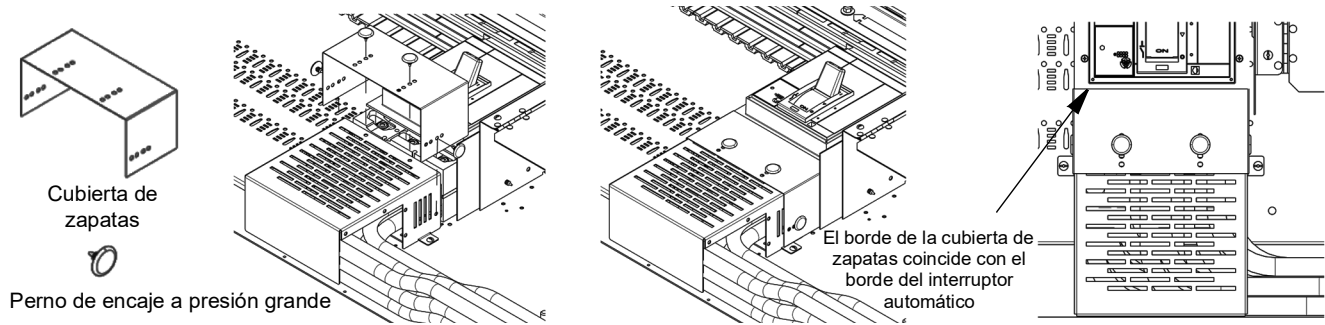


Cubierta de metal y tornillos de 10-32

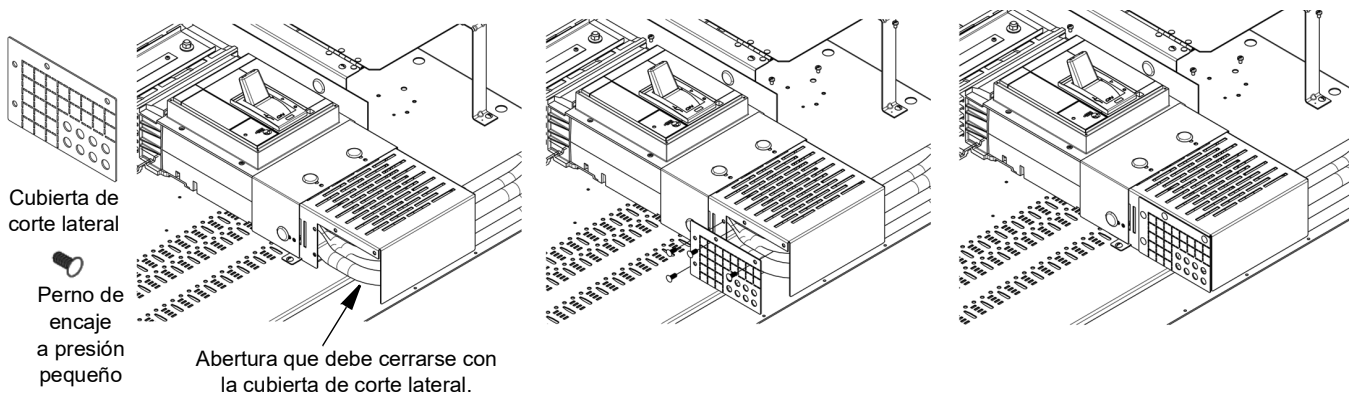


5. Coloque la cubierta de zapatas en la cubierta de metal empleando los cuatro pernos de encaje a presión **grandes** incluidos.

NOTA: La cubierta de zapatas tiene varios grupos de agujeros para montarla en la cubierta de metal. Utilice el grupo de agujeros que haga que la cubierta de zapatas toque el borde del interruptor automático y que cubra completamente el área de zapatas, como se muestra en la cuarta imagen abajo.



6. Utilice cuatro pernos de encaje a presión **pequeños**, instale la primera cubierta de corte lateral para cubrir el agujero en la cubierta de metal frente a la entrada de conductores.

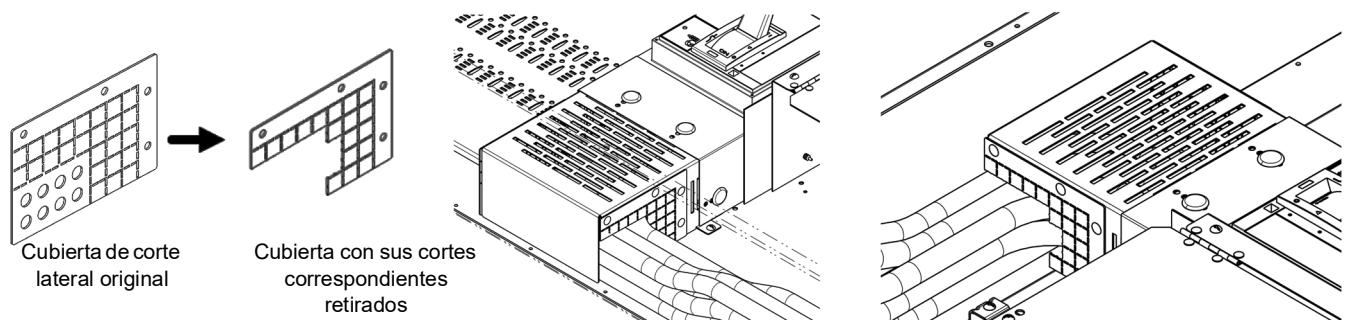


7. En la cubierta de corte que cubre los conductores de entrada en el interruptor automático, identifique los cortes necesarios que deben realizarse para que los conductores pasen a través de ellos. Usando un corta alambres, haga los cortes necesarios de la cubierta lateral para que no obstruyan los conductores de entrada y luego, colóquela en la cubierta de metal usando los pernos de encaje a presión pequeños incluidos.

⚠ PELIGRO

PELIGRO DE DESCARGA ELÉCTRICA, EXPLOSIÓN O DESTELLO POR ARQUEO
No haga agujeros de mayor tamaño que el necesario para la entrada o salida de los conductores.

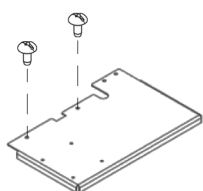
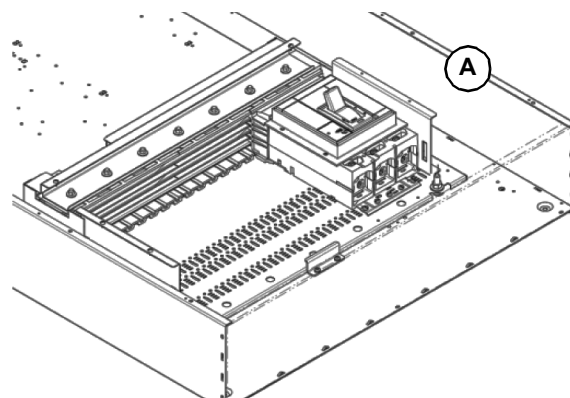
El incumplimiento de estas instrucciones puede causar la muerte o lesiones graves.



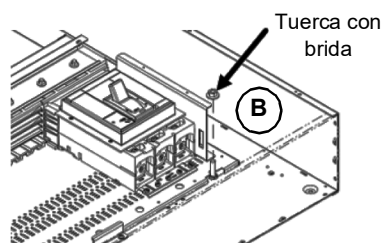
8. Para reemplazar una cubierta de corte lateral, retire los pernos de encaje a presión sujetándola con una pinza y vuelva a instalar con un nuevo juego de pernos de encaje a presión incluidos con el kit de repuesto.
9. Después de haber instalado todos los componentes para el kit, vuelva a instalar todas las cubiertas y los marcos que desmontó en los pasos 2 y 3 de la página 4.

Para los kits de cubiertas de zapatas de línea para interruptor automático principal combinado I-Line

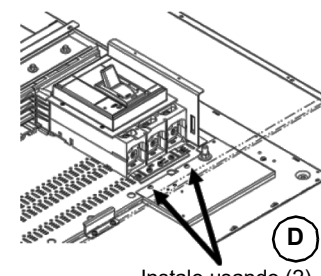
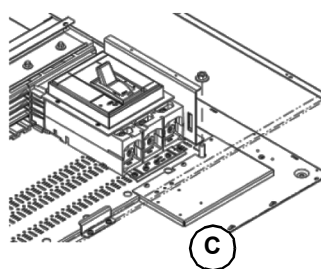
1. El interruptor automático principal debe estar instalado en la posición más a la derecha del tablero I-Line combinado (A) antes de instalar el kit de barrera de entrada de acometida.
2. Quite la tuerca con brida interior (B) que se utiliza para fijar el interior al gabinete de la caja, luego monte la extensión de la bandeja de montaje sobre la bandeja de montaje del interior (C). Sujétela con los dos tornillos de 10-32 (D) incluidos, luego vuelva a instalar la tuerca con brida del interior, como se muestra en las imágenes (D) de abajo.



Extensión de la bandeja de montaje y tornillos de 10-32

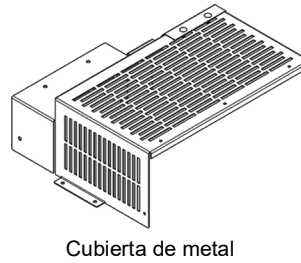
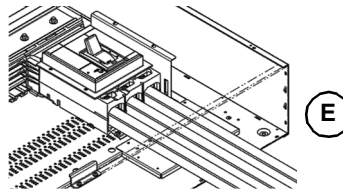


Tuerca con brida

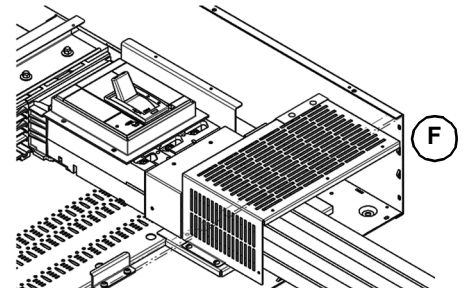


Instale usando (2) tornillos de 10-32

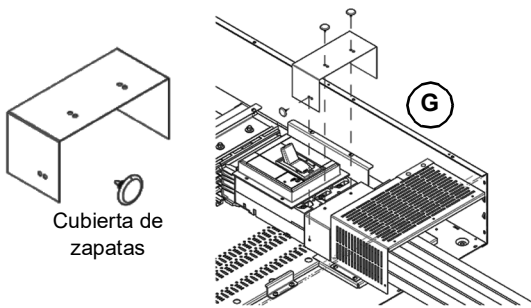
3. Instale los conductores de entrada (E).
4. Instale la cubierta de metal (F) fijándola a la extensión de la bandeja de montaje usando cuatro tornillos de 10-32 (J) suministrados.
5. Coloque la cubierta de zapatas en la cubierta de metal usando los tres pernos de encaje a presión grandes (G) incluidos. La cubierta de zapatas tiene varios grupos de agujeros para montarla en la cubierta de metal. Utilice el grupo de agujeros que haga que la cubierta de zapatas toque el borde del interruptor automático y que cubra completamente el área de zapatas (H).
6. Después de haber instalado todos los componentes de los kits, vuelva a instalar todas las cubiertas y los marcos que desmontó en los pasos 2 y 3 de la página 4.



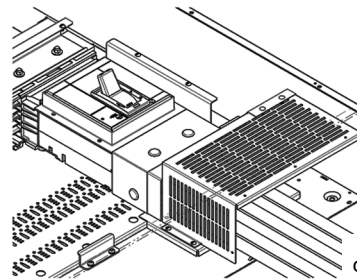
Cubierta de metal



ESPAÑOL

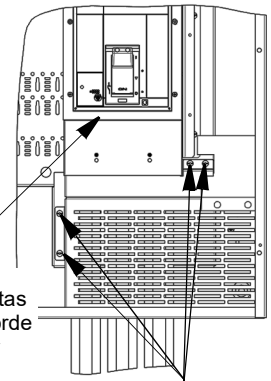


Cubierta de zapatas



El borde de la cubierta de zapatas coincide con el borde del interruptor automático

(H)



Instale usando (4) tornillos de 10-32

(J)

Importado en México por:
Schneider Electric México, S.A. de C.V.
Av. Ejercito Nacional No. 904
Col. Palmas, Polanco 11560 México, D.F.
55-5804-5000
www.se.com/mx

Los estándares, las especificaciones y los diseños pueden cambiar, por lo que deberá pedir confirmación acerca de la actualidad de la información contenida en esta publicación.

Schneider Electric y Square D son marcas comerciales y propiedad de Schneider Electric SE, sus subsidiarias y empresas afiliadas. Todas las demás marcas son propiedad de sus respectivos dueños.

Installation et remplacement des couvercles sans danger pour les doigts IP2X selon IEC 60529 de disjoncteur principal et entrée de service É.-U.

À conserver pour une utilisation ultérieure

Introduction

Ce bulletin contient les directives d'installation, de retrait et de remplacement des pièces indiquées ci-après, dans des panneaux de distribution NQ, NF, I-Line™ ou I-Line combinés de la marque Square D™ fabriqués par Schneider Electric. Ces directives doivent être suivies pour installer des câbles au disjoncteur principal dans un panneau de distribution équipé de kits d'entrée de service É.-U.

REMARQUE: Pour obtenir une assistance technique sur l'installation de ces pièces, contacter le centre d'informations à la clientèle de Schneider Electric au 1-888-778-2733 (États-Unis).

Mesures de sécurité

⚠ DANGER

RISQUE D'ÉLECTROCUTION, D'EXPLOSION OU D'ARC ÉLECTRIQUE

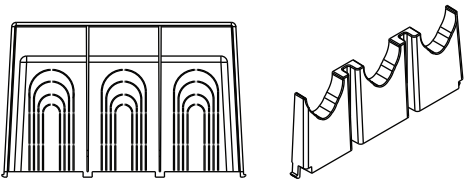
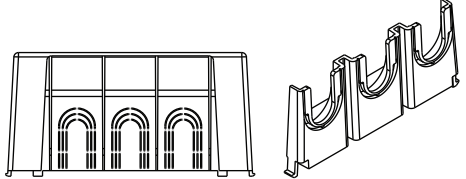
- Portez un équipement de protection personnel (ÉPP) approprié et observez les méthodes de travail électrique sécuritaire. Voir NFPA 70E, CAN/CSA Z462 ou NOM-029-STPS.
- Seul un personnel qualifié doit effectuer l'installation, l'utilisation, l'entretien et la maintenance de cet équipement.
- Coupez toutes les alimentations à cet appareil avant d'y travailler.
- Utilisez toujours un dispositif de détection de tension à valeur nominale appropriée pour vous assurer que l'alimentation est coupée.
- Remplacez tous les dispositifs, les portes et les couvercles avant de mettre l'appareil sous tension.

Si ces directives ne sont pas respectées, cela entraînera la mort ou des blessures graves.

FRANÇAIS

Description des pièces

Table 1: Kits de couvercles de cosses de ligne de disjoncteur principal pour une entrée de service É.-U.

N° de catalogue	Contenu	Description	Application	
			IP2X selon IEC 60529	Entrée de service (É.-U.)
LALLC		Couvercle des cosses de ligne LA/LH	NQ	NQ, NF, I-Line ^{a b}
HJQLLC		Couvercle des cosses de ligne H/J/Q	NQ	NQ, NF ^b

Page suivante

Table 1: Kits de couvercles de cosses de ligne de disjoncteur principal pour une entrée de service É.-U.

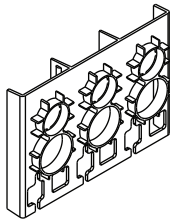
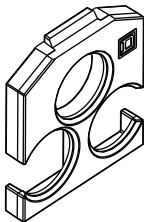
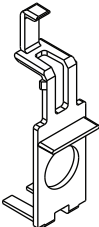
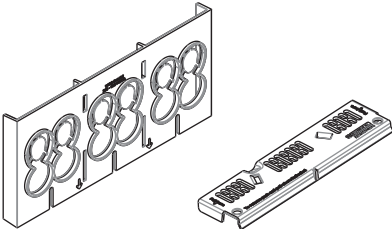
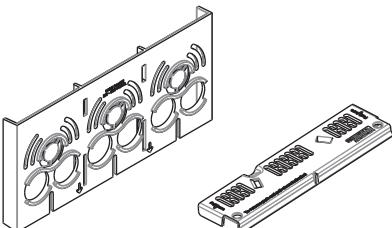
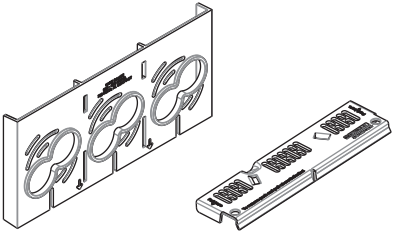
N° de catalogue	Contenu	Description	Application	
			IP2X selon IEC 60529	Entrée de service (É.-U.)
PPLLC		Couvercle des cosses de ligne PowerPact L	—	NQ, NF, I-Line ^{a c}
PPPLLC		Couvercle des cosses de ligne PowerPact P	—	NF ^d
EDBS		Couvercle des cosses de ligne châssis E	—	NF ^d
ILMLC4W		Couvercle de cosses (4 trous cylindriques) châssis M	—	I-Line ^a
ILMLC3W		Couvercle de cosses (3 trous cylindriques) châssis M	—	I-Line ^a

Table 1: Kits de couvercles de cosses de ligne de disjoncteur principal pour une entrée de service É.-U.

N° de catalogue	Contenu	Description	Application	
			IP2X selon IEC 60529	Entrée de service (É.-U.)
ILMLC2W		Couvercle de cosses (2 trous cylindriques) châssis M	—	I-Line ^a

^a Pour les applications I-Line, à n'utiliser que sur des disjoncteurs principaux verticaux. À ne pas utiliser sur des disjoncteurs principaux à rétroalimentation.

^b Ces kits sont pour une installation dans des panneaux de distribution fabriqués après le 1er janvier 2017.

^c Nécessite l'utilisation du blindage de bornes moyen LTSM3P installé sur le disjoncteur, non compris dans ces kits.

^d Commander 1 kit par disjoncteur tripolaire requis (à savoir : un disjoncteur tripolaire nécessite 1 kit).

Table 2: Kits de couvercles de cosses de ligne de disjoncteur principal de protection contre la rétro-alimentation I-Line pour une entrée de service É.U. (Couvercle latéral de rechange)

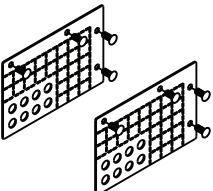
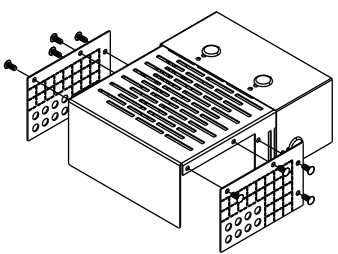
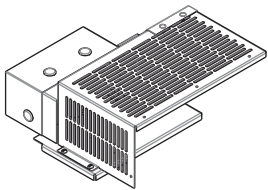
Numéro de catalogue du couvercle latéral de rechange	Contenu	Type de panneau de distribution I-Line	Disjoncteur
ILBFMHCJHJUL		HCM, HCJ	H, J
ILBFMHCPHJUL		HCP	H, J
ILBFMHCPRLUL		HCP, HCR	LA, LH, L
ILBFMHCPMPHCRMUL		HCP, HCR	M
ILBFMHCRPRUL		HCP	P
		HCR	P, R

Table 3: Kits de couvercles de cosses de ligne de disjoncteur principal de protection contre la rétro-alimentation I-Line pour une entrée de service É.U. (Kit complet)

Numéros de catalogue du kit complet ^c	Contenu	Type de panneau de distribution I-Line	Disjoncteur
ILBFMHCJHJULC		HCM, HCJ	H, J
ILBFMHCPHJULC		HCP	H, J
ILBFMHCPPLULC			LA, LH, L
ILBFMHCPMPULC			M, P
ILBFMHCRPLULC		HCR	LA, LH, L
ILBFMHCRMULC			M
ILBFMHCRPULC			P
ILBFMHCRRLULC			R

^c Ces kits sont pour une installation dans des panneaux de distribution fabriqués après le 1er janvier 2017.

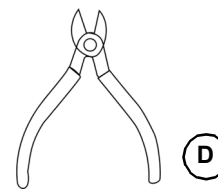
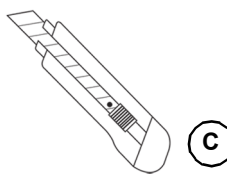
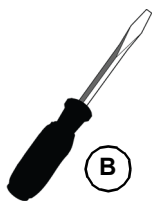
Table 4: Kits de couvercles de cosses de ligne de disjoncteur principal combiné I-Line pour une entrée de service É.-U.

Numéro de catalogue du couvercle latéral de rechange ^c	Contenu	Largeur de l'armoire du panneau de distribution I-Line	Disjoncteur
ILCOMBLUL26W		26 po	LA, LH, L
ILCOMBMPUL26W		26 po	M, P
ILCOMBLUL32W		32 po	LA, LH, L
ILCOMBMPUL32W		32 po	M, P
ILCOMBLUL44W		44 po	LA, LH, L
ILCOMBMPUL44W		44 po	M, P

^c Ces kits sont pour une installation dans des panneaux de distribution fabriqués après le 1er janvier 2017.

Outils nécessaires

- Tournevis à pointe Robertson® (carrée) n° 2
- Tournevis plat
- Couteau de travail
- Coupe-fil
- Lime



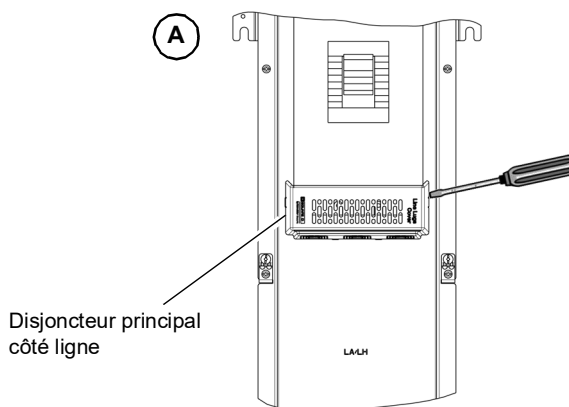
Installation

- Couper toutes les alimentations à cet appareil avant de travailler à l'intérieur du panneau de distribution et observer toutes les procédures d'interverrouillage et d'étiquetage.
- Retirer l'assemblage de garniture avant, se reporter aux directives *Garnitures avant standard et à charnières NC* (numéro de document 80043-740-01) pour les panneaux NQ et NF et aux directives *Kits de garnitures en 4 pièces et portes I-Line* (numéro de document 80043-449-03) pour les panneaux de distribution I-Line ou combinés I-Line.
- Retirer l'assemblage de l'écran isolant et mettre de côté les vis pour un usage ultérieur.
- Continuer les directives d'installation en suivant les points requis pour chaque kit correspondant :

Couvercle de cosses de ligne de disjoncteur principal pour kits HJQLLC et LALLC :

REMARQUE: Les dessins représentent un panneau NQ mais les points s'appliquent aussi aux panneaux NF et I-Line.

- Déboîter le couvercle de la cuve de montage, en poussant sur les fermoirs (A).



- Faire pivoter le couvercle, comme indiqué, et tirer (B, D).
- Découper les ouvertures (C) selon le minimum nécessaire pour le calibre des fils qui seront utilisés dans l'application. Limer les bavures ou bords tranchants des ouvertures découpées.

⚠ DANGER

RISQUE D'ÉLECTROCUTION, D'EXPLOSION OU ÉCLAIR D'ARC ÉLECTRIQUE

- Ne découpez pas les ouvertures plus que nécessaire pour l'entrée ou la sortie des fils.

Si ces directives ne sont pas respectées, cela entraînera la mort ou des blessures graves.

⚠ ATTENTION

RISQUE DE COUPURE

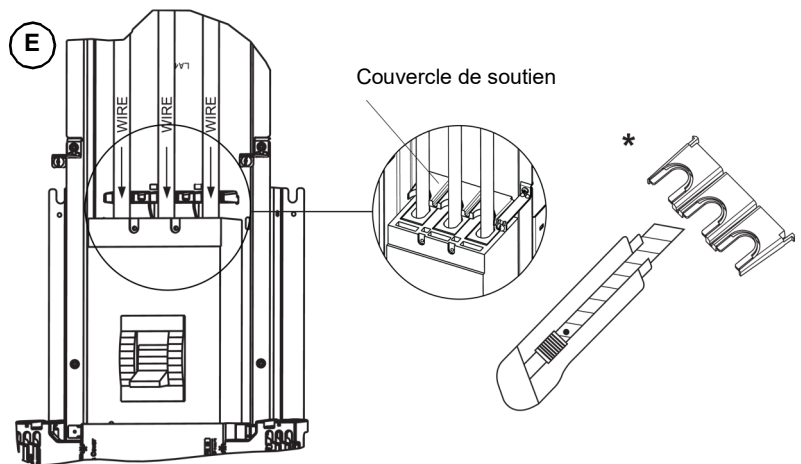
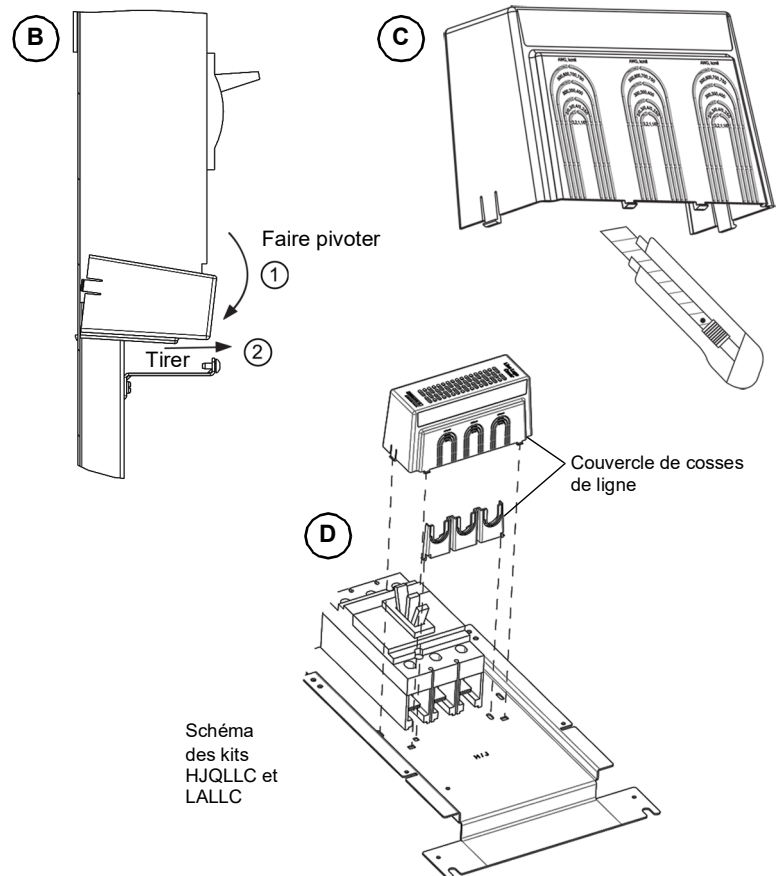
- Lame tranchante. Tenez toujours la lame éloignée des doigts et du corps.

Si ces directives ne sont pas respectées, peut entraîner des blessures mineures ou modérées.

- Effectuer tous les raccordements des fils nécessaires (E).
- Remettre le couvercle en place et le fixer à l'aide des fermoirs comme aux points 2 et 3 de ce kit.

* Pour les couvercles du disjoncteur principal H, J et Q utilisant des calibres de fils supérieurs à 3/0 AWG, retirer les découpes sur le couvercle de soutien.

Après avoir installé tous les composants pour le kit, réinstaller tous les couvercles et garnitures retirés aux points 2 et 3 à la page 4.



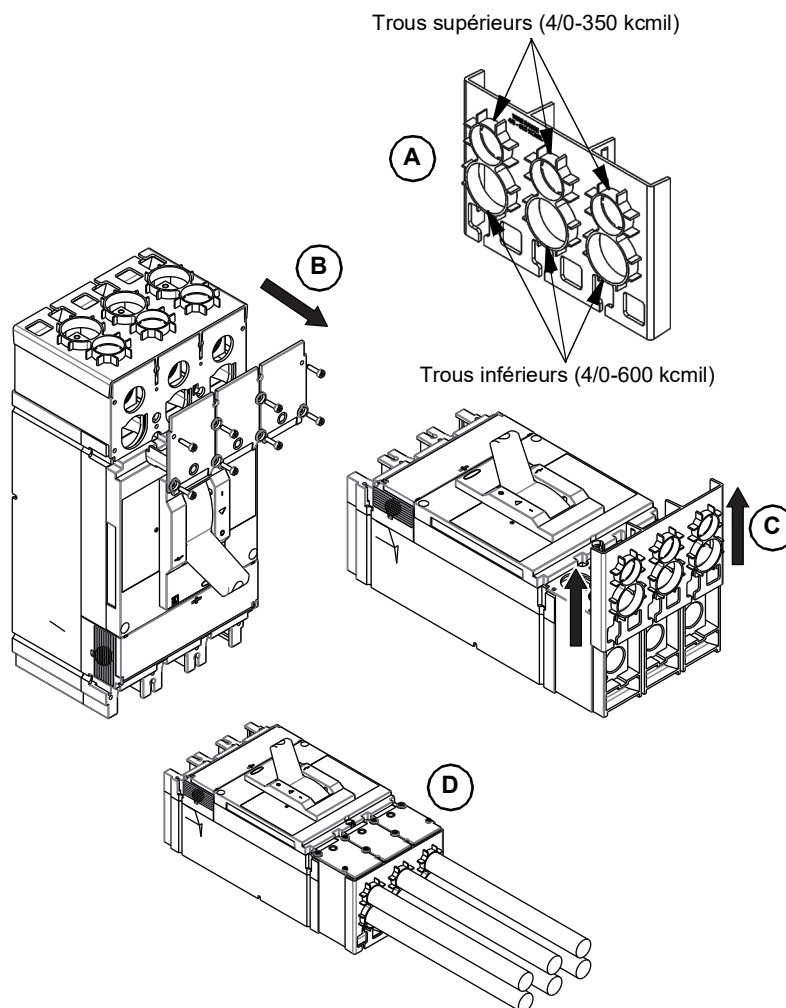
Couvercle de cosses de ligne de disjoncteur principal pour un kit PPLLCC :

Le kit PPLLCC exige que le blindage de bornes moyen LTSM3P soit installé sur le disjoncteur (à commander séparément s

Le blindage de cosse PPLLCC contient deux trous par phase (A), le trou supérieur accepte un câble jusqu'à 350 kcmil, le trou inférieur accepte un câble jusqu'à 600 kcmil.

REMARQUE: Ne pas utiliser de câble inférieur à 4/0 avec un blindage de cosse PPLLCC.

1. Retirer le couvercle de cosses (B) du kit LTSM3P.
2. Pour les applications exigeant deux câbles par phase, faire glisser le blindage de cosse PPLLCC vers le haut (C) et le retirer du disjoncteur, puis suivre les points 3 et 4.
3. Retirer les débouchures du haut à l'aide du couteau de travail et limer les bavures ou bords tranchants des trous des découpes.
4. Réinstaller le blindage de cosse PPLLCC sur le disjoncteur (D).
5. Effectuer tous les raccordements des fils nécessaires.
6. Remettre en place le couvercle des cosses, retiré au point 1 à la page 6.
7. Après avoir installé tous les composants pour le kit, réinstaller tous les couvercles et garnitures retirés aux points 2 et 3 à la page 4.



Couvercle de cosses de ligne de disjoncteur principal pour un kit PPPLLCC :

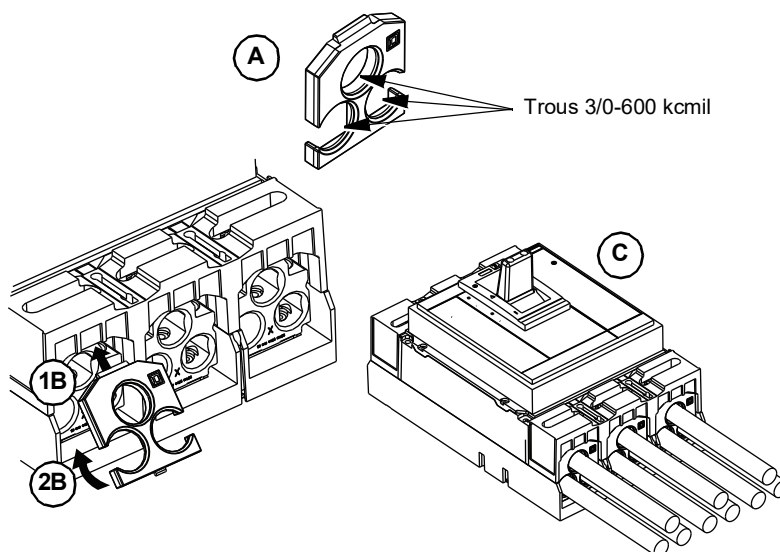
Le kit PPPLLCC comprend 3 couvercle de cosses de ligne, un pour chaque phase.

Les kits PPPLLCC sont à utiliser avec les disjoncteurs principaux verticaux à châssis P, avec la cosse AL800M23K ou CU800M23K installée.

Le blindage de cosses PPPLLCC comporte trois trous par phase (A), chacun acceptant un fil de 500 kcmil maximum.

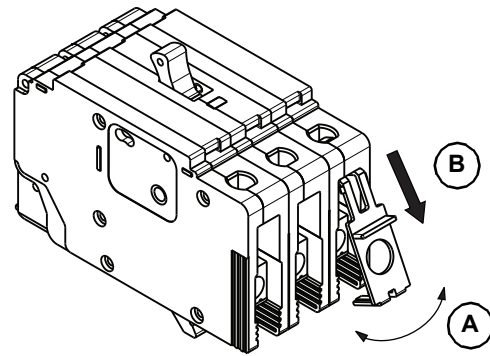
REMARQUE: Ne pas utiliser de câble inférieur à 3/0 avec un blindage de cosse PPPLLCC.

1. Pour l'installation du couvercle des cosses, insérer la bride supérieure comme indiqué (1B) et emboîter la bride inférieure en pliant légèrement le couvercle des cosses en position (2B).
2. Avant l'installation, dénuder les fils sur un pouce d'isolant.
3. Installer les fils dans le disjoncteur selon les directives expédiées avec le disjoncteur (C).

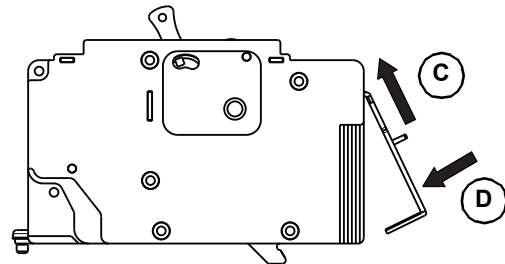


Couvercle de cosses de ligne de disjoncteur principal pour un kit EDBS :

1. Tous les raccordements de fils initiaux peuvent être faits avec le blindage EDBS en place.
2. Pour retirer le blindage, déconnecter tous les raccordements de fils au disjoncteur.
3. Tirer par l'ouverture des raccordements de fils du blindage (A) et extraire le blindage à partir du côté charge du disjoncteur (B).



4. Réinstaller le blindage en faisant l'opération inverse, en l'installant à partir du côté charge du disjoncteur (C) et en l'accrochant dans l'ouverture de la vis de fixation des fils (D).
5. Effectuer tous les raccordements des fils nécessaires.



REMARQUE: Ne pas employer de fil inférieur à 8 AWG avec le blindage EDBS.

6. Après avoir installé tous les composants pour le kit, réinstaller tous les couvercles et garnitures retirés aux points 2 et 3 à la page 4.

Couvercle de cosses de ligne de disjoncteur principal pour les kits ILMLC4W, ILMLC3W et ILMLC2W :

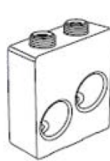
Le kit ILMLC4W est à utiliser avec les disjoncteurs principaux verticaux à châssis M, avec la cosse AL1200P24K ou CU1200P24K installée.

Le kit ILMLC3W est à utiliser avec les disjoncteurs principaux verticaux à châssis M, avec la cosse AL800M23K ou CU800M23K installée

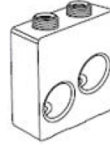
Le kit ILMLC2W est à utiliser avec les disjoncteurs principaux verticaux à châssis M, avec la cosse AL800P6K ou AL800P7K installée



Kit de cosses AL800M23K ou CU800M23K, (3) 3/0 AWG-500 kcmil



OU

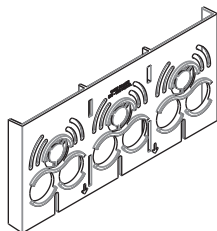


Kit de cosses AL800P6K (2) 3/0 AWG-600 kcmil

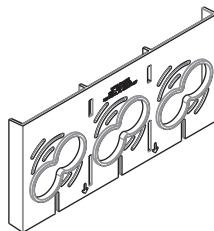
Kit de cosses AL800P7K (2) 3/0 AWG-600 kcmil Cu ou AL (2) 3/0 AWG-750 kcmil AL



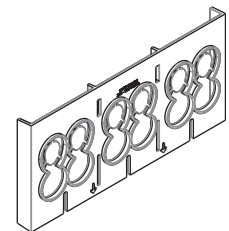
Kit de cosses AL1200P24K ou CU1200P24K, (4) 3/0 AWG-500 kcmil



ILMLC3W



ILMLC2W

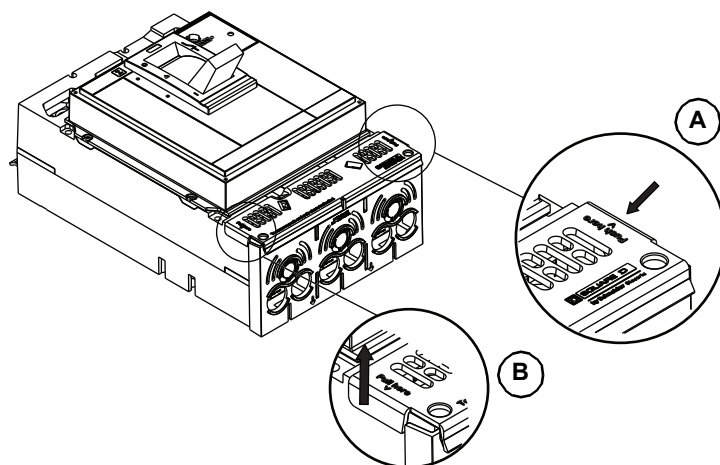


ILMLC4W

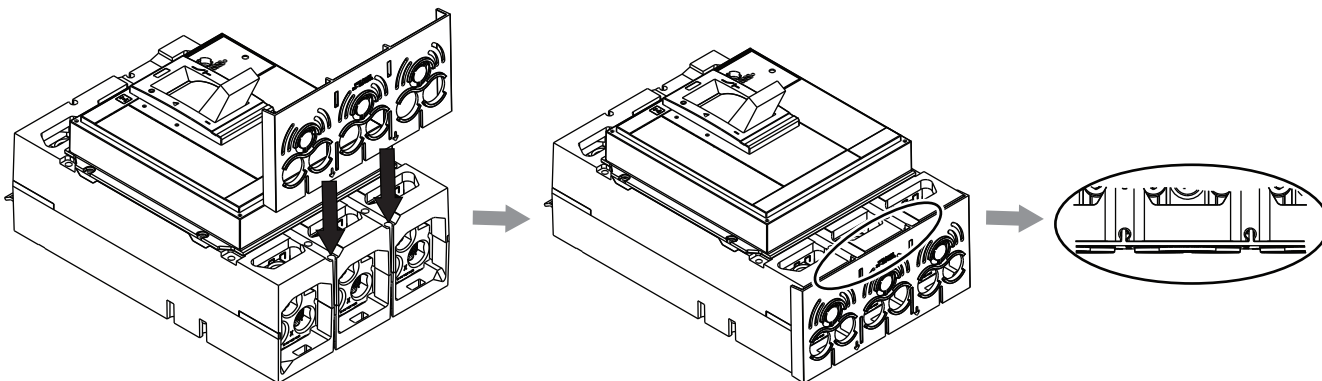
Installation

1. Pour l'installation initiale des câbles, tout d'abord retirer le couvercle supérieur en le poussant sur le côté droit afin de libérer le clip de gauche du couvercle (A), puis tirer par la gauche afin de terminer le retrait (B).

REMARQUE: Si le couvercle supérieur ne s'enlève pas facilement, utiliser un tournevis pour libérer les deux clips du dessus du disjoncteur.

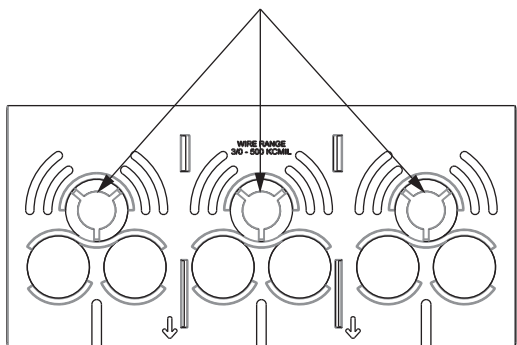


2. Pour le retrait ou l'installation, la cloison blindée verticale coulisse, pour sa dépose comme pour sa pose, sur le disjoncteur, grâce à deux dispositifs cylindriques du disjoncteur servant de guides



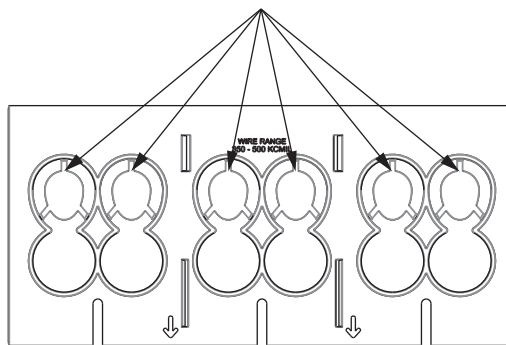
3. Si 3 câbles par phase sont utilisés avec ILMC3W, ou 3 ou 4 câbles par phase avec ILMC4W, retirer les débouchures correspondantes des cloisons blindées verticales (à l'aide d'un jeu de coupe-fils) avant l'installation des câbles, comme indiqué ci-dessous. Limer les bavures ou bords tranchants des trous des découpes.

Retirer les débouchures quand 3 fils sont nécessaires par phase.



Retirer 1 débouchure par phase quand 3 fils sont nécessaires par phase.

Retirer 2 débouchures par phase quand 4 fils sont nécessaires par phase.



- Installer les fils dans le disjoncteur selon les directives expédiées avec le disjoncteur.

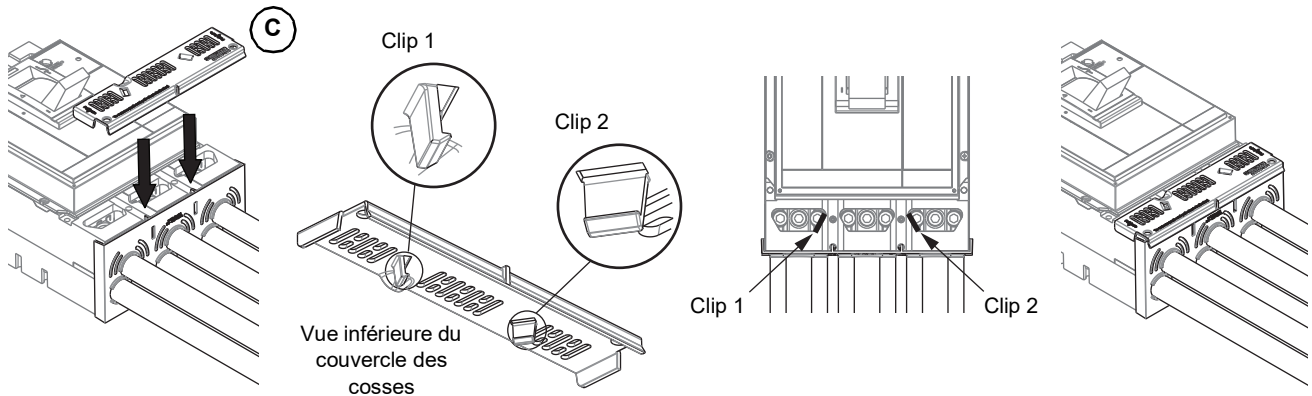
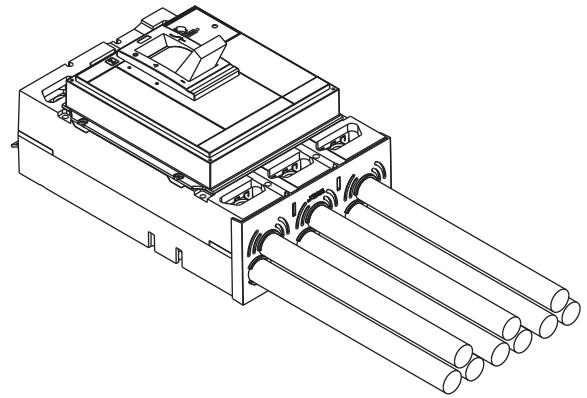
REMARQUE:

Pour le blindage **ILMLC2W**, ne pas utiliser de fil de calibre inférieur à 500 kcmil dans chaque ouverture.

Pour le blindage **ILMLC3W**, ne pas utiliser de fil de calibre inférieur à 3/0 AWG dans chaque ouverture.

Pour le blindage **ILMLC4W**, ne pas utiliser de fil de calibre inférieur à 350 kcmil dans chaque ouverture.

- Installer le couvercle supérieur (C) en emboîtant les deux clips sur les ouvertures de vis de fixation des fils du disjoncteur.



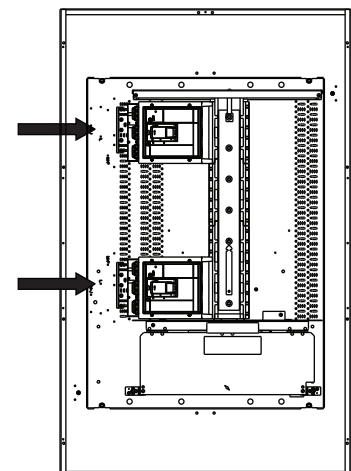
- Après avoir installé tous les composants pour le kit, réinstaller tous les couvercles et garnitures retirés aux points 2 et 3 à la page 4.

Kits de disjoncteur principal de protection contre les retours de tension I-Line :

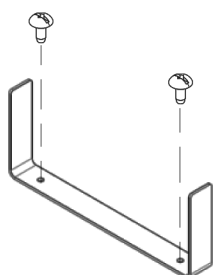
- Identifier le disjoncteur principal à rétroalimentation qui sera utilisé pour l'entrée de service É.-U.; ce disjoncteur ne peut être placé qu'à l'emplacement le plus vers le haut ou le plus vers le bas de la zone de branchement électrique.

- Fixer le guide-fil à la cuve de montage à l'aide de deux des vis n° 10-32 (A) fournies, en utilisant les trous de la cuve de montage qui correspondent aux trous du guide-fil.

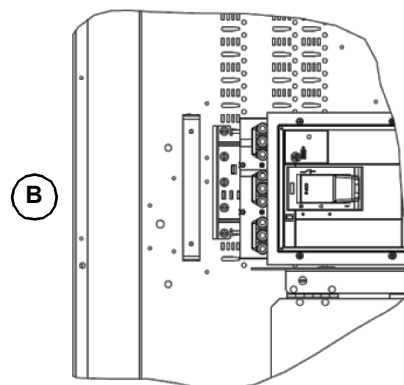
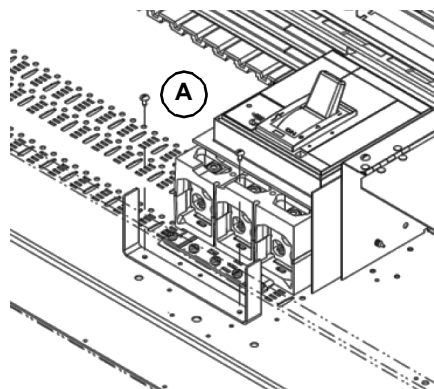
REMARQUE: Le guide-fil est de la même largeur que le disjoncteur et est aligné avec ce dernier, comme indiqué dans la troisième image (B) ci-dessous.



Installation

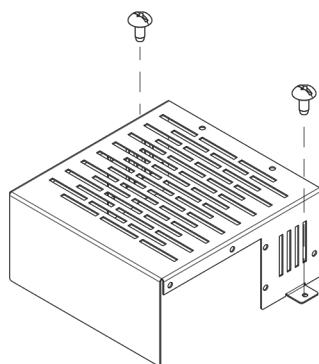
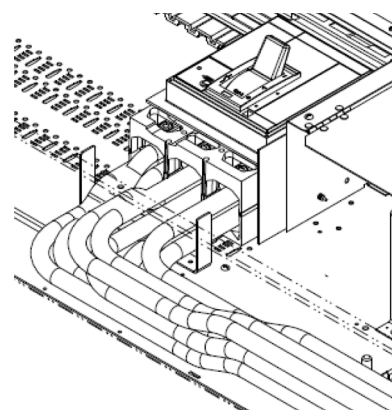


Guide-fil et vis
n° 10-32

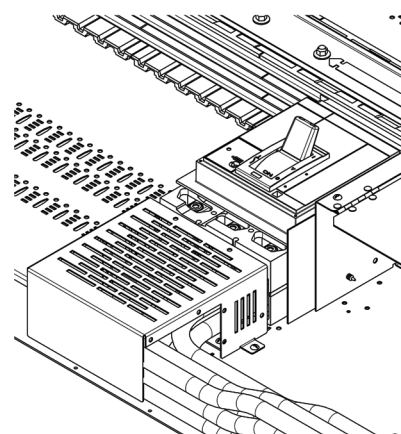
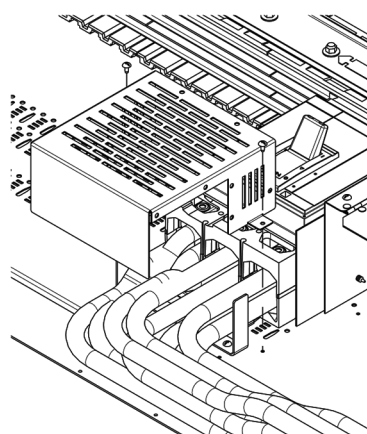


3. Installer le câblage d'arrivée au disjoncteur à l'aide du guide-fil afin de maintenir le câblage d'arrivée en place.

4. Installer le couvercle en métal sur le guide-fil, à l'aide de deux des vis n° 10-32 fournies pour le fixer à la cuve de montage.

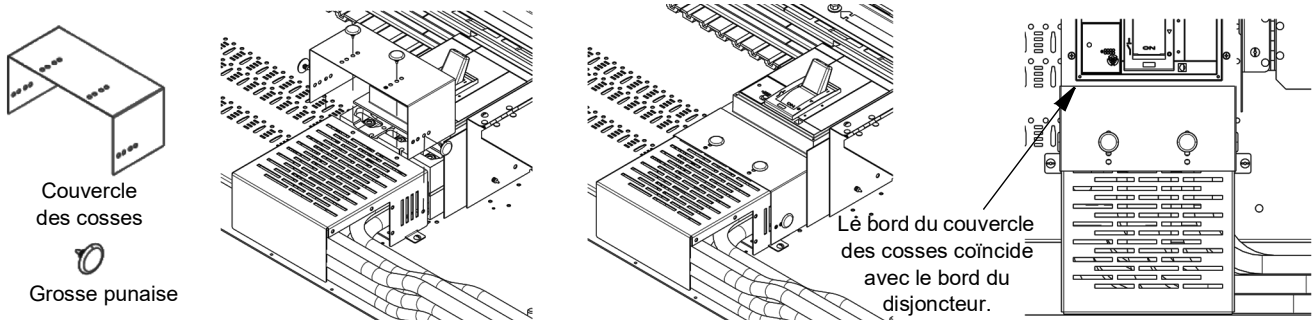


Couvercle en métal
et vis n° 10-32

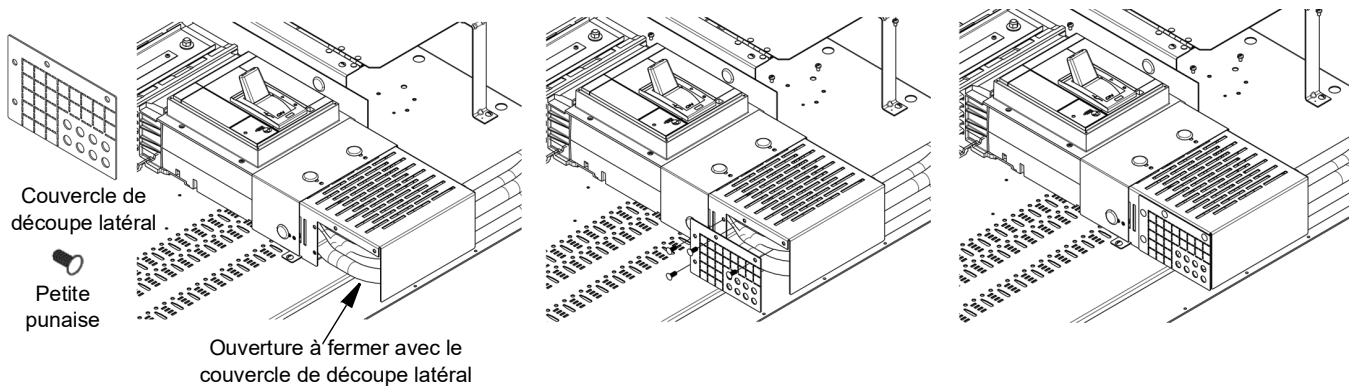


- Fixer le couvercle des cosses au couvercle en métal à l'aide des quatre **grosses** punaises fournies.

REMARQUE: Le couvercle des cosses possède de nombreux jeux de trous pour le fixer au couvercle en métal. Utiliser le jeu de trous qui permet au couvercle des cosses de toucher le bord du disjoncteur et de couvrir complètement la zone des cosses, comme le montre la quatrième image ci-dessous.



- À l'aide de quatre **petites** punaises, installer le premier couvercle de découpe latéral pour fermer l'ouverture du couvercle en métal à l'opposé de l'entrée des câbles

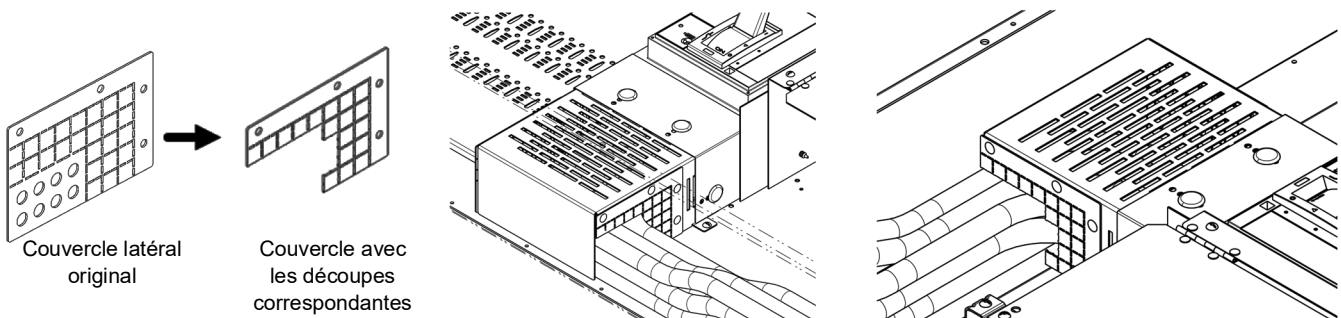


- Sur le couvercle de découpe qui recouvre les câbles d'arrivée au disjoncteur, identifier quelles découpes doivent être enlevées de façon à permettre le passage des câbles. À l'aide d'un jeu de coupe-fils, pour laisser le passage aux câbles d'arrivée, enlever les découpes excessives du couvercle latéral, puis installer ce dernier sur le couvercle en métal à l'aide des petites punaises fournies.

⚠ DANGER

RISQUE D'ÉLECTROCUTION, D'EXPLOSION OU ÉCLAIR D'ARC ÉLECTRIQUE
Ne découpez pas les ouvertures plus que nécessaire pour l'entrée ou la sortie des fils.

Si ces directives ne sont pas respectées, cela entraînera la mort ou des blessures graves.

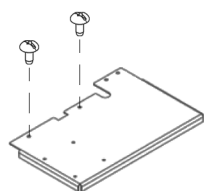
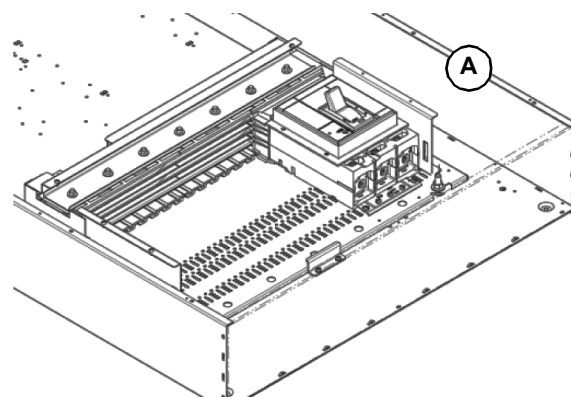


Installation

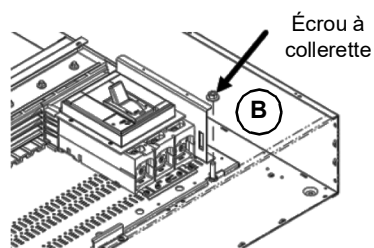
8. Pour remplacer un couvercle de découpe latéral, retirer les punaises qui le retiennent avec un jeu de coupe-fils et remplacer ces punaises par des neuves fournies dans le kit de rechange.
9. Après avoir installé tous les composants pour le kit, réinstaller tous les couvercles et garnitures retirés aux points 2 et 3 à la page 4.

Pour les kits de couvercles de cosses de ligne des disjoncteurs principaux combinés I-Line

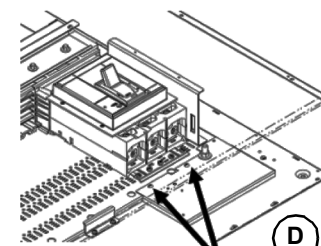
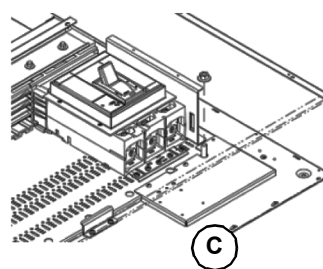
1. Le disjoncteur principal doit être installé à la position la plus à droite du panneau combiné I-Line (A) avant d'installer le kit de cloison d'entrée de service.
2. Enlever l'écrou à collerette de l'intérieur (B) utilisé pour fixer l'intérieur à l'armoire de coffrets, puis monter l'extension de la cuve de montage sur la cuve de montage de l'intérieur (C). La fixer avec les 2 vis n° 10-32 fournies (D), puis réinstaller l'écrou à collerette de l'intérieur, comme montré par les images ci-dessous (D).



Extension de la cuve de montage et vis n° 10-32

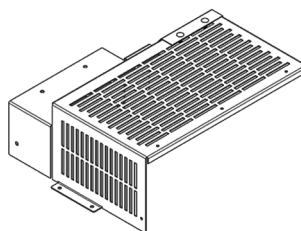
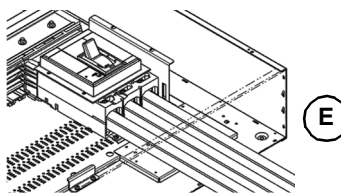


Écrou à collerette

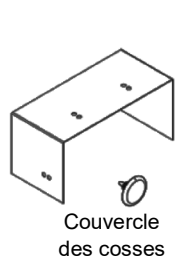
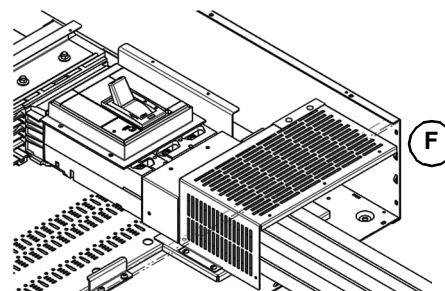


Installer à l'aide de 2 vis n° 10-32

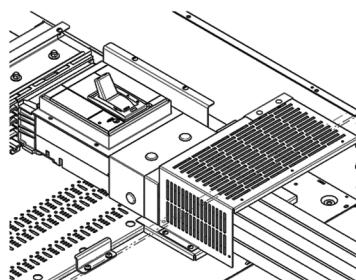
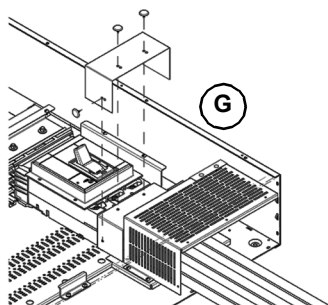
3. Installer les fils d'arrivée (E).
4. Installer le couvercle en métal (F) en le fixant à l'extension de la cuve de montage à l'aide de 4 vis n° 10-32 fournies (J).
5. Fixer le couvercle des cosses au couvercle en métal à l'aide des trois grosses punaises fournies (G). Le couvercle des cosses possède des jeux de trous multiples pour le fixer au couvercle en métal. Utiliser le jeu de trous qui fait que le couvercle des cosses touche le bord du disjoncteur et couvre complètement la zone des cosses (H).
6. Après avoir installé tous les composants pour le kit, réinstaller tous les couvercles et garnitures retirés aux points 2 et 3 à la page 4.



Couvercle en métal

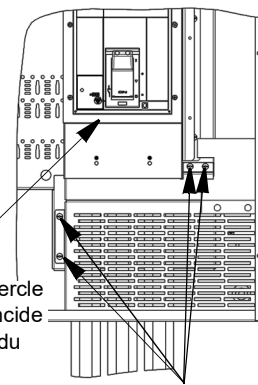


Couvercle des cosses



Le bord du couvercle des cosses coïncide avec le bord du disjoncteur

(H)



Installer à l'aide de 4 vis n° 10-32

(J)

Schneider Electric Canada, Inc.
5985 McLaughlin Road
Mississauga, ON L5R 1B8 Canada
800-565-6699
www.se.com/ca

Les normes, les spécifications et les conceptions pouvant changer, veuillez demander confirmation que les informations contenues dans cette publication sont à jour.

Schneider Electric et Square D sont des marques appartenant à Schneider Electric SE, ses filiales et sociétés affiliées. Toutes les autres marques déposées sont la propriété de leurs détenteurs respectifs.