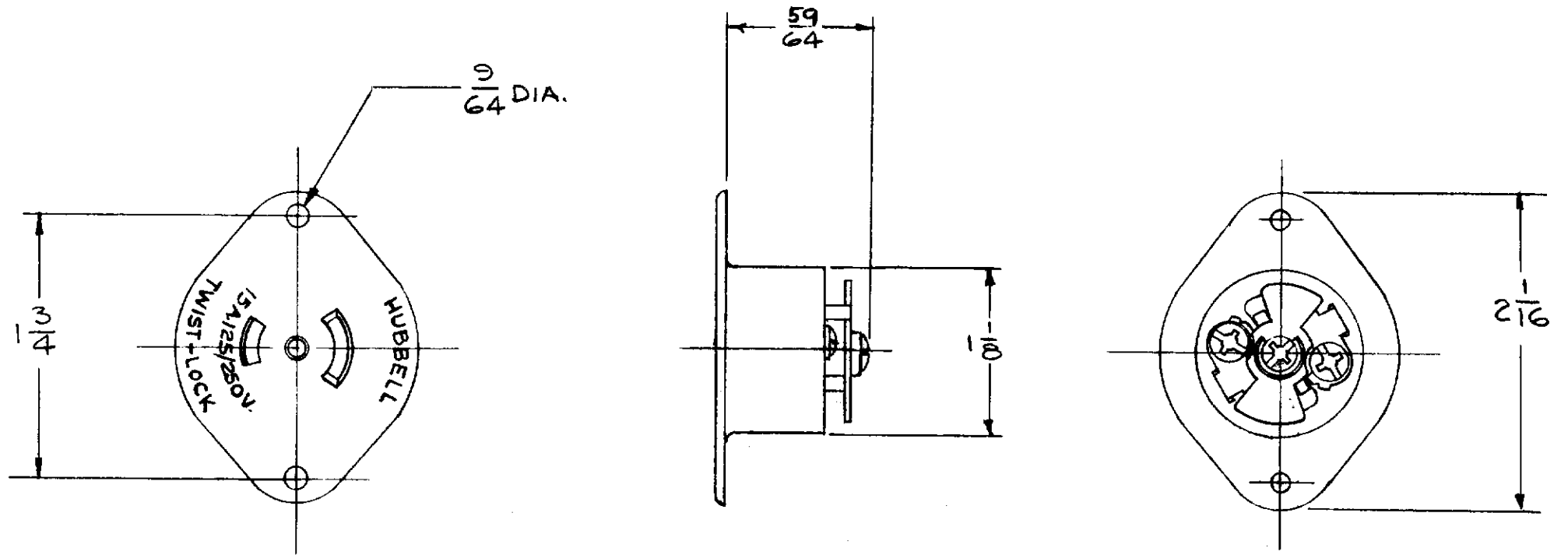


M-5902 2



| LIST OF PARTS       |          |         |
|---------------------|----------|---------|
| DESCRIPTION         | MATERIAL | FINISH  |
| BODY                | NYLON    | BLACK   |
| BARRIER             | NYLON    | BLACK   |
| CONT. SPR. BIND PL. | BRASS    |         |
| BIND. HD. SCREW     | BRASS    | I-WHITE |
| GR. CONT. SLEEVE    | BRASS    |         |
| INSULATOR           | NYLON    | NATURAL |
| CUPPED WASHER       | BRASS    | NICKEL  |
|                     |          |         |
|                     |          |         |
|                     |          |         |
|                     |          |         |
|                     |          |         |
|                     |          |         |
|                     |          |         |
|                     |          |         |

DIMENSION SHEET FOR CAT. NO. 7487N

REPAIRABLE  NON-REPAIRABLE

| SYM | REVISIONS   | APP | DATE    |
|-----|---|-----|---------|
| 2   | PICTORIAL CHANGE TO BOTTOM VIEW TO SHOW COMBO DRIVE SCREWS PER DCN 23087 RM | DJP | 5/22/17 |
| 1   | 59/64 DIM WAS<br>63/64 TNET CS  |     | 2/14/92 |

B M-5902

**TITLE**  
15A. 125/250V. 3-WIRE MIDGET  
TWIST-LOCK FLANGED OUTLET  
(NYLON)

|                                       |  |                      |                    |
|---------------------------------------|--|----------------------|--------------------|
| TOLERANCES UNLESS OTHERWISE SPECIFIED |  | HARVEY HUBBELL, INC. |                    |
| FRACTIONS ± 1/64                      |  | SHELTON, CT.         |                    |
| DECIMALS ± .005                       |  | DR. BY <u>A.J.L.</u> | APP. BY _____      |
| ANGLES ± 2°                           |  | TR. BY _____         | SCALE <u>FULL</u>  |
|                                       |  | CHK'D. BY _____      | DATE <u>6-8-76</u> |

CODE 74545

2