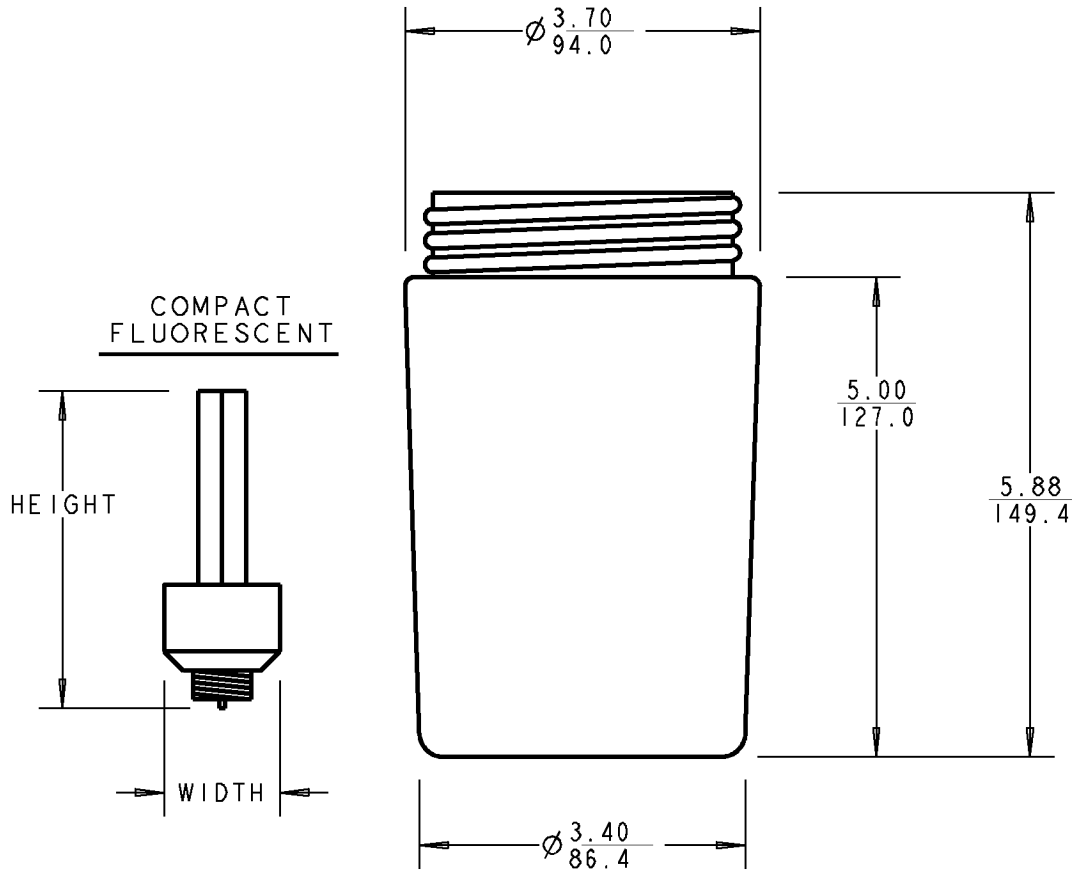


Carlton®



MAXIMUM LAMP SIZE	
INCANDESCENT	COMPACT FLUORESCENT
A19, MED. BASE, 60 WATT	4.375" HIGH, 2.8" WIDE, MED. BASE

P/N E960PGL

GENERAL NOTES		Thomas & Betts www.tnb.com			
1. ALL DIMENSIONS ARE FOR REFERENCE ONLY. 2. DIMENSIONS IN BRACKETS [] ARE IN METRIC UNITS.		DESCRIPTION: GLOBE, POLYCARBONATE			
REVISIONS		ORIGINAL PROJECT NO / (ERN NO)	SHEET NO:	REV. NO:	DRAWING NO:
** SEE ERN (****) FOR APPROVAL SIGNATURES & RELEASE DATE. PROJECT NO: ****		/ ()	1 OF 1	B	WSD-AC01402