
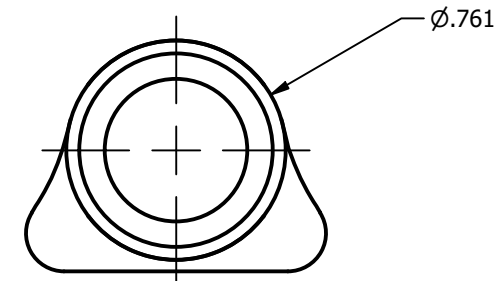
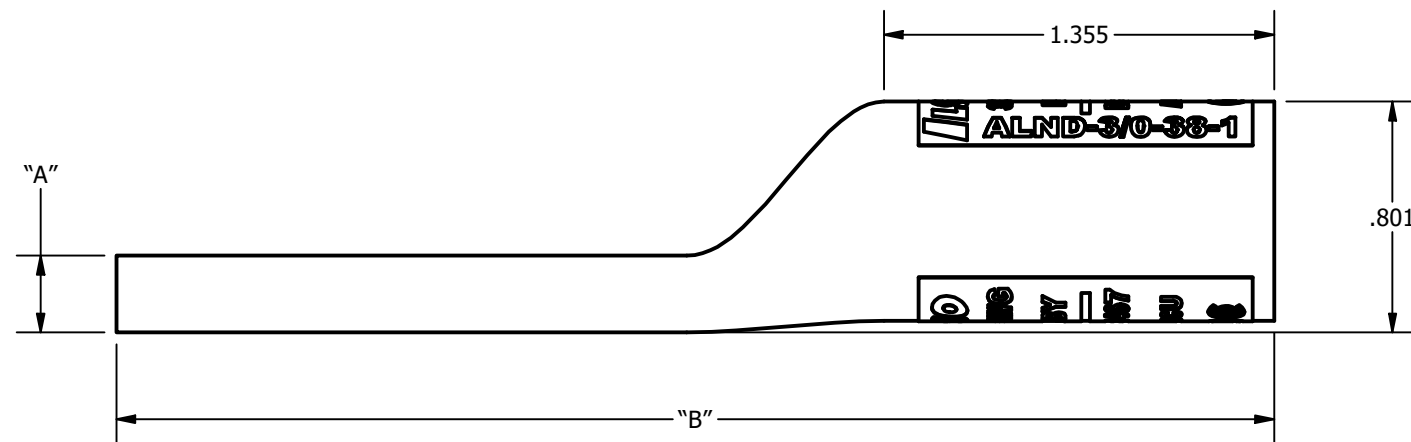
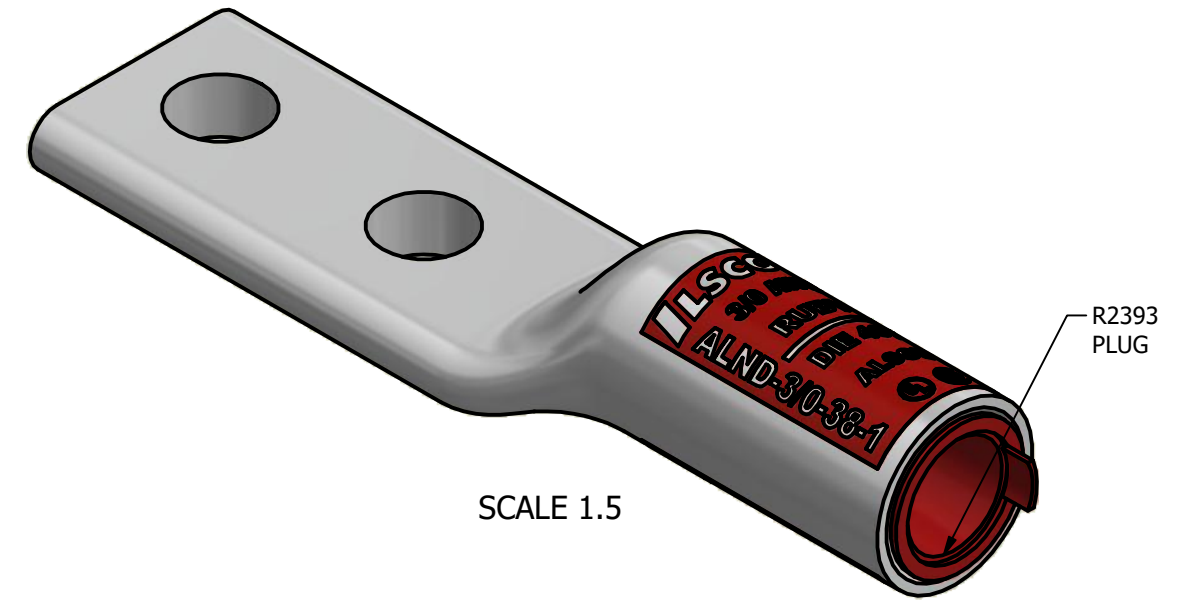
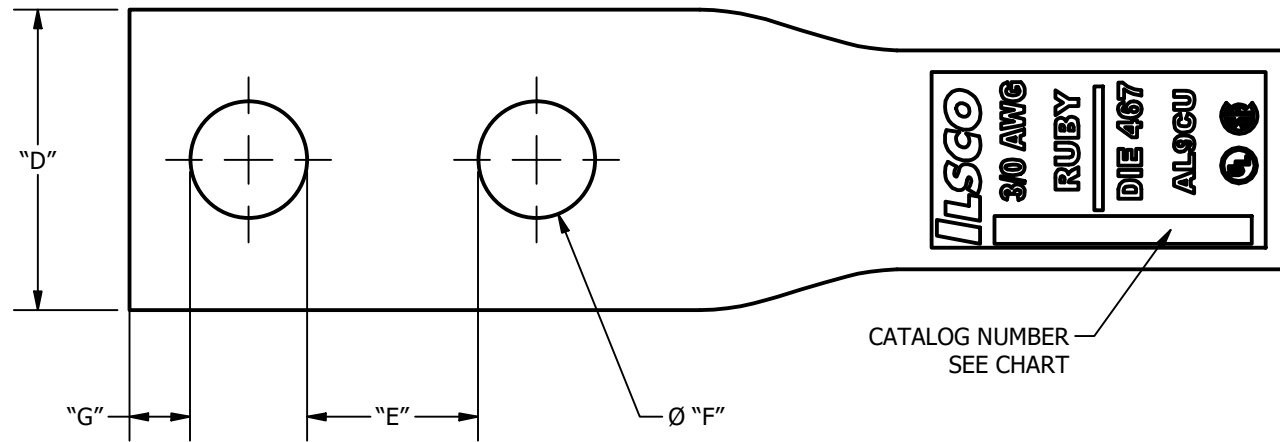


SCREW: NONE	MATERIAL: ALUMINUM	REV: R	 800-776-9775 www.ilSCO.com
CAT. NO.SEE CHART	PLATING: EL-TIN	DRAWN BY: NWV SCALE: NTS	
INFORMATION SHEET FORM 196	MARKING: NO TANG MARKING	DATE: 5/30/2013 SIZE: B	
			DWG NO: YA0903, YAN0903 Double
			SHEET: 1 OF 1



Catalog Number	"A"	"B"	"D"	"E"	"F"	"G"
ALND-3/0-38-1	0.266	4.020	1.044	0.594	0.406	.211
ALNN-3/0-38-1	0.268	4.000	.731	0.594	0.406	.211
ALND-3/0-38-134	0.266	4.695	1.044	1.344	0.406	.211
ALNN-3/0-38-134	0.280	4.710	.745	1.344	0.406	.211
ALND-3/0-12-1	0.266	4.200	1.044	0.438	0.562	.265
ALND-3/0-12-134	0.266	5.085	1.044	1.188	0.562	.265