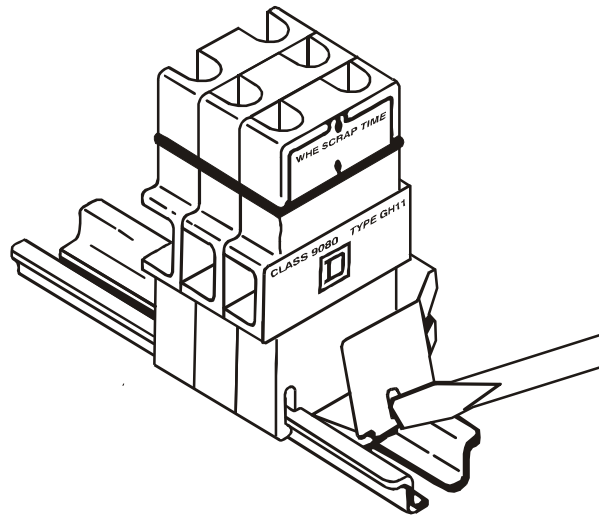


**Instructions for Installing  
CLASS 9080 TYPE GH11  
END CLAMP**



To install end clamp, insert U-shaped portion of clamp between mounting track and terminal block. With screw driver inserted in slot as shown, apply force toward track and block, sliding end clamp tight against side of terminal block.

To remove end clamp, remove from mounting track the two terminal blocks immediately adjacent to end clamp, and end clamp will be free.

65013-002-56B

**SQUARED®**

65013-002-56B