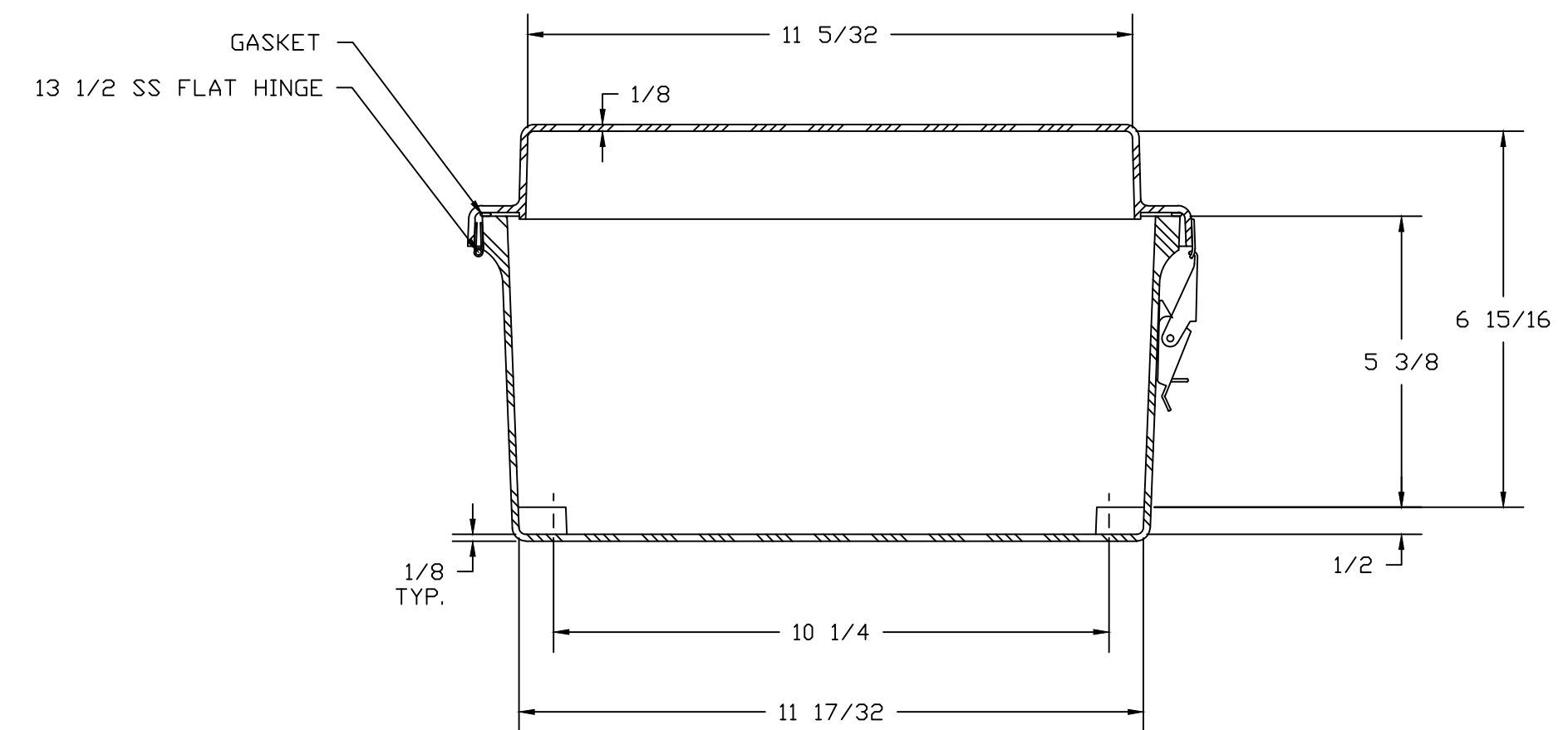
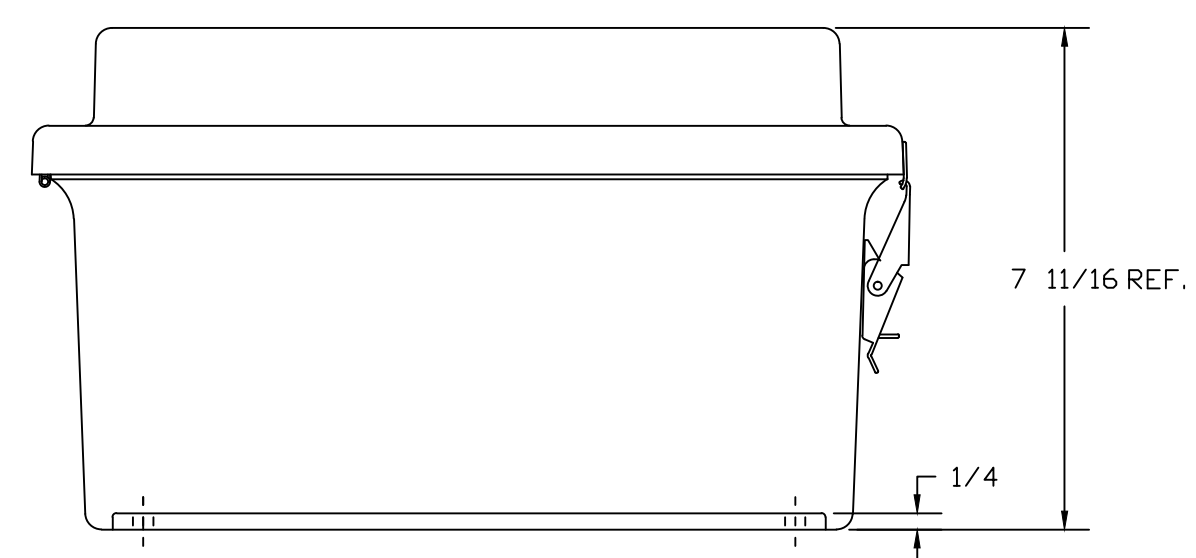


SECTION B-B



SECTION A-A

NOTES:

NEMA 4X		TOLERANCES UNLESS SPECIFIED		DECIMAL ± .010	FRACTIONAL ± 1/32
COLOR GLACIER GRAY RR1013					
MATERIAL	F.R. POLYESTER FIBERGLASS	DR. BY	SH	DATE	4/22/91
LET.	REVISION RECORD	DATE	BY	CHD.	CHK. BY
					DATE
		APD. BY	DATE		
		SCALE DO NOT SCALE		PART NAME	ENCLOSURE
		PART NO.		RJ1412HPL	



BELDING, MICHIGAN 48809

AutoCAD DWG. FILE RJ1412HPL