

Metallic and Non-Metallic
Air Conditioning Disconnects



Merlin Gerin

Modicon

Square D

Telemecanique

*A Complete Family of
Disconnects with Exclusive
Time Saving Features*



SQUARE D
Schneider Electric

Enclosed Molded Case Disconnect Switch – Not-Fusible

The preferred molded case switch of electrical and mechanical contractors became the industry standard over the years because of innovative Square D features.

Molded Case Switch Product Features Include:

- 1 Removable cover housing (front, top and side walls) provides open area for mounting and convenient installation
- 2 Compact, rugged long-life galvanized steel enclosure with powder coat paint for long-lasting corrosion protection
- 3 Easy access to wiring terminals for conductor installation
- 4 Four convenient one-inch combination knock-out provisions on back and bottom enclosure walls provide wiring flexibility
- 5 60A/240Vac max. not-fusible molded case switch included
- 6 Cover padlock provision
- 7 Optional PKHB mounting bracket, when used, simplifies installation for stucco, stone, brick and lapped-sided applications

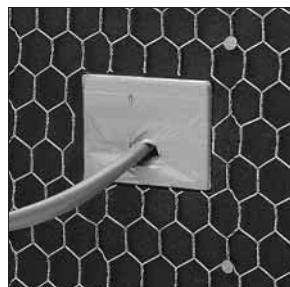


The Square D Mounting Bracket Saves Time and Simplifies Installation

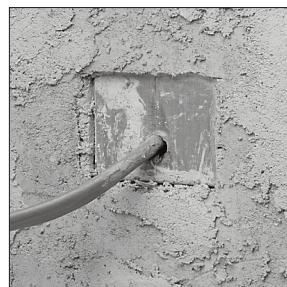
On stucco, stone, brick and lapped-sided houses, installing the QO200TR presents a unique challenge. So Square D developed a unique solution: a bracket specially designed for mounting the QO200TR (Catalog Number-PKHB). The bracket is installed directly to the stud, and after the siding goes up, you simply mount the QO200TR to the bracket with screws.



The bracket mounts directly onto the stud.



Bracket after tar paper and stucco wire have been added to the studs.



Stucco covering the bracket is chipped away.



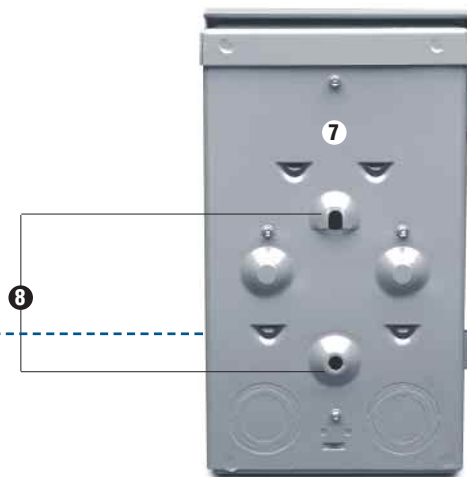
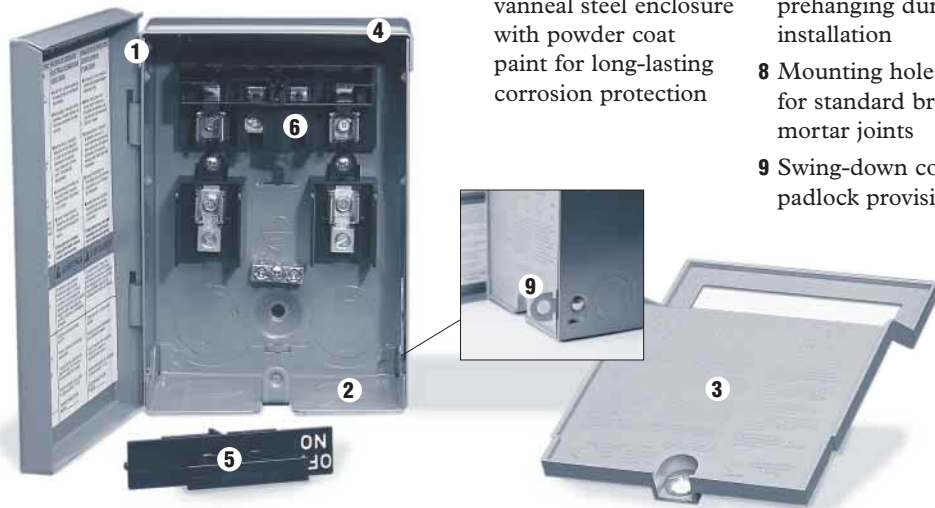
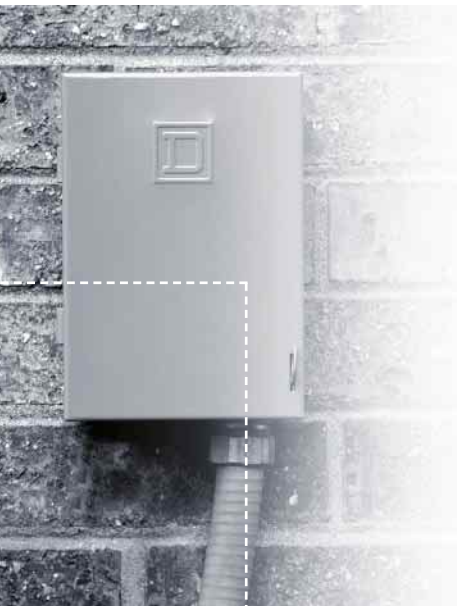
The QO200TR is mounted to the bracket with screws.

Pull-out Disconnect Switches – Fusible and Not-Fusible

Square D has developed a pull-out switch product line, with the Residential and Commercial installer in mind. If you are looking for premium quality, design and overall best value, select the best... select Square D.

Pull-Out Switch Product Features Include:

- 1 Side-hinged door for easy access and installation
- 2 Convenient combination knockout provisions on side, back, and bottom enclosure walls for maximum wiring flexibility
- 3 Interior trim with captive mounting screw and molded-in wiring diagram markings
- 4 Rugged long-life galvanized steel enclosure with powder coat paint for long-lasting corrosion protection
- 5 Positive pull-out head contact for a durable long-lasting electrical connection. Pull-out head storage in "OFF" position
- 6 Available in 60A/240Vac max. not-fusible, 30A and 60A/240Vac max. fusible types
- 7 Mounting slot for prehanging during installation
- 8 Mounting holes spaced for standard brick-size mortar joints
- 9 Swing-down cover padlock provision

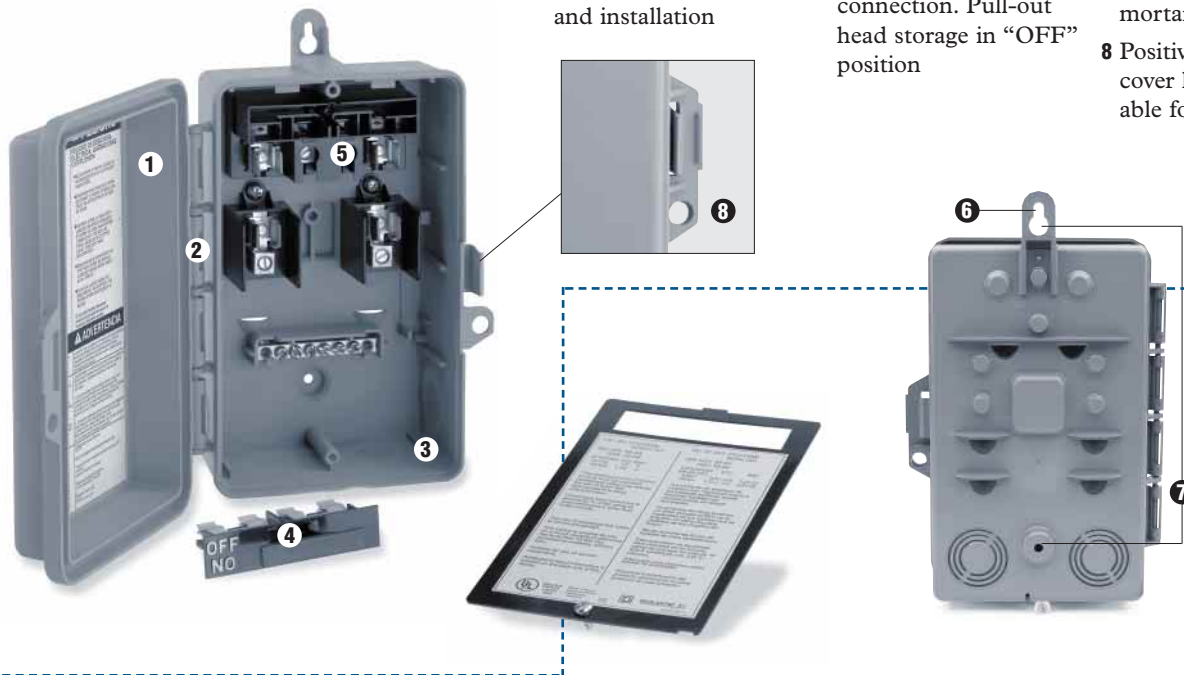


Non-Metallic Pull-out Disconnect Switches – Fusible and Not-Fusible

With more enclosure options, Square D has an air conditioning disconnect for any residential or commercial application.

Non-Metallic Pull-Out Switch Product Features Include:

- 1 Durable polymer enclosure offers long-lasting protection against harsh outdoor elements
- 2 Side-hinged door for easy access and installation
- 3 Convenient combination knockout provisions on side, back, and bottom enclosure walls for maximum wiring flexibility
- 4 Positive pull-out head contact for a durable long-lasting electrical connection. Pull-out head storage in “OFF” position
- 5 Available in 60A/240Vac max. not-fusible, 30A and 60A/240Vac max. fusible types
- 6 Mounting slot for prehanging, during installation
- 7 Mounting holes spaced for standard brick size mortar joints
- 8 Positive action integral cover latch is padlockable for added security



Non-Metallic Enclosed Molded Case Disconnect Switch – Not-Fusible

Non-Metallic Molded Case Switch Product Features Include:

- 1 Durable corrosion resistant polymer enclosure resists scratching and denting
- 2 Side-hinged door for easy access and installation
- 3 Convenient combination knockout provisions on side, back and bottom enclosure walls for maximum wiring flexibility
- 4 60A/240Vac maximum not-fusible molded case switch included
- 5 Positive action integral cover latch is padlockable for added security



Standard Features on Both Enclosed Molded Case and Pull-out Type Switches:

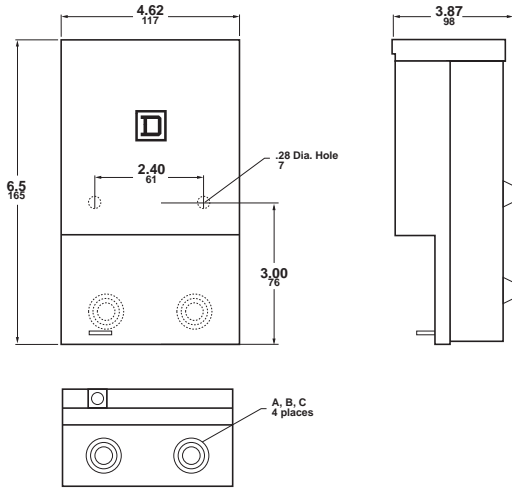
- UL Listed
- CSA certified (metallic pull-out devices only)
- UL Listed for copper or aluminum conductors

- Fusible units have cartridge fuse provisions
- Plated current carrying components provide superior corrosion protection
- Factory installed equipment grounding terminals with slot/square drive screws

- Meets NEC requirements for single-phase residential and commercial air conditioning installations
- HP rated for motor disconnect applications

Enclosed Molded Case Switch

Not-Fusible NEMA Type 3R – Outdoor 240Vac, Single-phase, 2 Wire with Ground

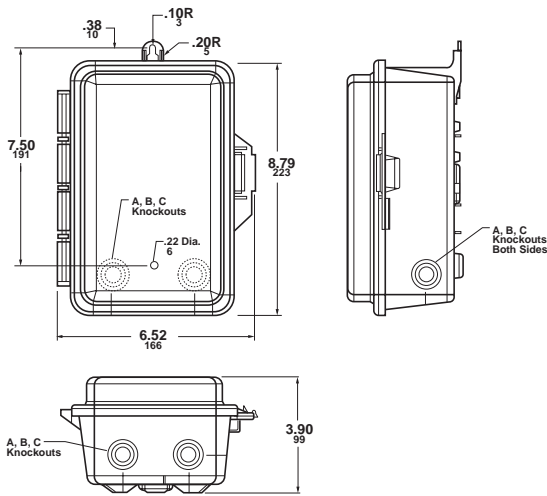


Dual Dimensions = $\frac{\text{in}}{\text{mm}}$

Catalog Number	Description	HP Max	Wire Range-AI/Cu			Package Weight	Individual Pkg. UPC Code
			Line	Load	Equip. Grounding Terminals AI/Cu		
Q0200TR	60 Ampere Not Fusible Ⓢ	10	#14-#4	#14-#6	(2) #14-#4	3 lbs.	7-85901-53596-6
PKHB	Mounting bracket used with Q0200TR for stucco and lapped-sided applications – 10 per box – For use with metallic Q0200TR only						7-85901-11935-8

Non-Metallic Enclosed Molded Case Switch

Not-Fusible NEMA Type 3R – Outdoor 240Vac, Single-phase, 2 Wire with Ground



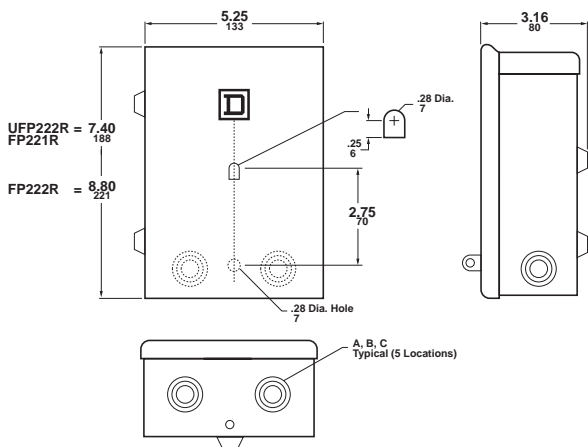
Dual Dimensions = $\frac{\text{in}}{\text{mm}}$

Allow 1" clearance on hinge side.

Catalog Number	Description	HP Max	Wire Range-AI/Cu			Package Weight	Individual Pkg. UPC Code
			Line	Load	Equip. Grounding Terminals AI/Cu		
Q0200TRNM	60 Ampere Not Fusible Ⓢ	10	#14-#4	#14-#6	(6) #14-#4	3 lbs.	7-85901-32801-8

Ⓢ Does not contain overcurrent protection. Suitable for use on systems with up to 10K RMS Symmetrical Amperes available fault current at 240 Vac when protected by a fuse or circuit breaker rated 60 Amperes or less.

KNOCKOUTS				
SYMBOL	CONDUIT SIZE		DIAMETER	
	1K	MM	1M	MM
A	.50	13	.86	22
B	.75	19	1.13	29
C	1	25	1.36	35



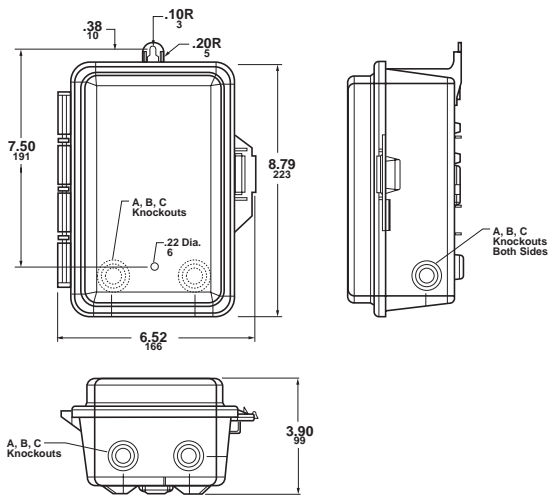
Allow 1" clearance on hinge side.

KNOCKOUTS				
SYMBOL	CONDUIT SIZE		DIAMETER	
	1K	MM	1M	MM
A	.50	13	.86	22
B	.75	19	1.13	29
C	1	25	1.36	35

Pull-Out Style Disconnect Switch

Not-Fusible and Fusible, NEMA Type 3R - Outdoor 240Vac, Single-phase, 2 Wire with Ground

Catalog Number	Description	HP Max	Line	Load	Wire Range-AI/Cu		Package Weight	Individual Pkg. UPC Code
					Equip. Grounding Terminals AI/Cu			
UFP222R 	60 Ampere Not Fusible①	10	#14-#3	#14-#3	(2) #14-#4		3 lbs.	7-85901-30117-2
FP221R 	30 Ampere Fusible②	3	#14-#3	#14-#6	(2) #14-#4		3 lbs.	7-85901-30115-8
FP222R 	60 Ampere Fusible②	10	#14-#3	#14-#3	(2) #14-#4		3 lbs.	7-85901-30116-5



Non-Metallic Pull-Out Style Disconnect Switch

Not-Fusible and Fusible, NEMA Type 3R - Outdoor 240Vac, Single-phase, 2 Wire with Ground

Catalog Number	Description	HP Max	Line	Load	Wire Range-AI/Cu		Package Weight	Individual Pkg. UPC Code
					Equip. Grounding Terminals AI/Cu			
UFP222RNM 	60 Ampere Not Fusible①	10	#14-#3	#14-#3	(6) #14-#4		3 lbs.	7-85901-32800-1
FP221RNM 	30 Ampere Fusible②	3	#14-#3	#14-#3	(6) #14-#4		3 lbs.	7-85901-32798-1
FP222RNM 	60 Ampere Fusible②	10	#14-#3	#14-#3	(6) #14-#4		3 lbs.	7-85901-32799-8

- ① Does not contain overcurrent protection. Suitable for use on systems with up to 10K RMS Symmetrical Amperes available fault current at 240 Vac when protected by a fuse or circuit breaker rated 60 Amperes or less.
- ② Suitable for use on systems with up to 10K RMS symmetrical amperes available fault current at 240Vac.

Visit the Square D web site at www.squared.com

Square D and are registered trademarks of Square D Company or related companies.

Order Number 3150BR9801/R3 (replaces 3150BR9801)
05/99 Printed in U.S.A.



SQUARE D
Schneider Electric

© 1999 Square D Company All Rights Reserved