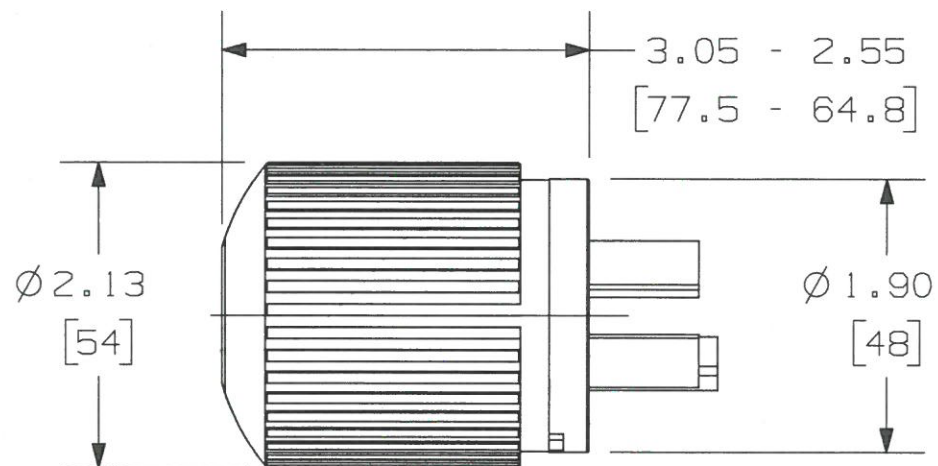
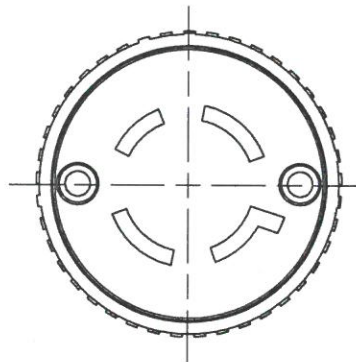


M-11419

3



L1520P SHOWN



NEMA NO.	RATING	POLE/WIRE	CAT. NO.	CONFIG.
L14-20P	20A, 125/250VAC	3P 4W GROUNDING	L1420P	
L15-20P	20A, 3Ø 250VAC	3P 4W GROUNDING	L1520P	
L16-20P	20A, 3Ø 480VAC	3P 4W GROUNDING	L1620P	
L14-30P	20A, 125/250VAC	3P 4W GROUNDING	L1430P	
L15-30P	30A, 3Ø 250VAC	3P 4W GROUNDING	L1530P	
L16-30P	30A, 3Ø 480VAC	3P 4W GROUNDING	L1630P	
L21-20P	20A, 3Ø Y 120/208VAC	4P 5W GROUNDING	L2120P	
L22-20P	20A, 3Ø Y 277/480VAC	4P 5W GROUNDING	L2220P	
L23-20P	20A, 3Ø Y 347/600VAC	4P 5W GROUNDING	L2320P	
L21-30P	30A, 3Ø Y 120/208VAC	4P 5W GROUNDING	L2130P	
L22-30P	30A, 3Ø Y 277/480VAC	4P 5W GROUNDING	L2230P	
L23-30P	30A, 3Ø Y 347/600VAC	4P 5W GROUNDING	L2330P	

NOTES:

- ALL DEVICES ARE UL LISTED, CSA CERTIFIED.
- ALL DEVICES ARE FED SPEC. EXCEPT FOR L1620P AND L1630P, L2220P AND L2230P, L2320P AND L2330P.

CORD RANGE

4 CONDUCTOR

10/4 SJ, 14/4 SO - 8/4 SO
 .560 in - 1.050 in
 14.2 mm - 26.67 mm

5 CONDUCTOR

14/5 SO - 8/5 SO
 .625 in - 1.050 in
 15.9 mm - 26.67 mm

LIST OF PARTS

DESCRIPTION	MATERIAL	FINISH
PULL DOWN RING	NYLON	BLACK
GRIP BODY	NYLON	BLACK
TERMINAL COVER	LEXAN	
DRIVE SCREW	STEEL	ZINC PLATE
DUST COVER	RUBBER	
ASSEMBLY SCREW	STEEL	ZINC PLATE
TERMINAL SCREW	STEEL	GREEN/NICKEL/BRASS
WIRE CLAMP NUT	STEEL	BRASS/STEEL/TIN PLATE
BLADES	BRASS	
PLUG FACE	NYLON	WHITE

DIMENSION SHEET FOR CAT. NO.

SEE TABLE

REPAIRABLE

NON-REPAIRABLE

B

M-11419

W

3	ADDED CAT. NO's L2220P, L2230P, L2320P & L2330P TO NOTE 2 PER DCN 22905 RM <i>DJP</i>	DJP	2/27/17
2	ADDED CAT. NOs. L2220P, L2320P, L2130P, L2230P & L2330P TO TABLE PER DCN 17744 RCM	DJP	7/8/11
1	RELEASE FOR PRODUCTION PER DCN 16041 MJM MAM	TLS	10/8/09

SYM	REVISIONS	APP	DATE

THE DESIGN AND DIMENSIONS OF THE PRODUCT SHOWN ON THIS DRAWING ARE SUBJECT TO CHANGE WITHOUT NOTICE

TITLE
 20 & 30A LOCKING
 4 & 5 WIRE PLUGS

TOLERANCES UNLESS OTHERWISE SPECIFIED
 .XX = ±.01
 .XXX = ±.005
 ANGLES = ±2°

WIRING DEVICE-KELLEMS
 HUBBELL INCORPORATED
 SHELTON, CT
 DR. BY MJM APP. BY TLS
 TR. BY SCALE 1:1
 CHK. BY DATE 9/23/09