

Ordering Sensors with a 1/2"-14 NPT Conduit Entry OsiSense™ XS Inductive Proximity Sensors, Cubic Range Addendum for Catalogs 9006CT1007 and 9006CT1201

Retain for future use.

Ordering Sensors with a 1/2"-14 NPT Conduit Entry

Most OsiSense™ XS cubic range inductive proximity sensors are available in a 1/2"-14 NPT version. However, in the catalogs listed in Table 1, the 1/2"-14 NPT version is not given as the default.

Table 1: Affected Catalogs

Document Number	Title
9006CT1007R06/12	Sensors: Proximity, Photoelectric, and Ultrasonic Sensors, Limit Switches, Pressure Sensors, Machine Safety, Encoders, RFID, and Machine Cabling
9006CT1201 (initial release)	OsiSense™ XS Inductive Proximity Sensors Cubic Range

To order a sensor with a 1/2" NPT conduit entry, replace **P20** in the catalog number suffix with **N12**.

Example: XS8C4A4PCP20 changes to XS8C4A4PCN12.

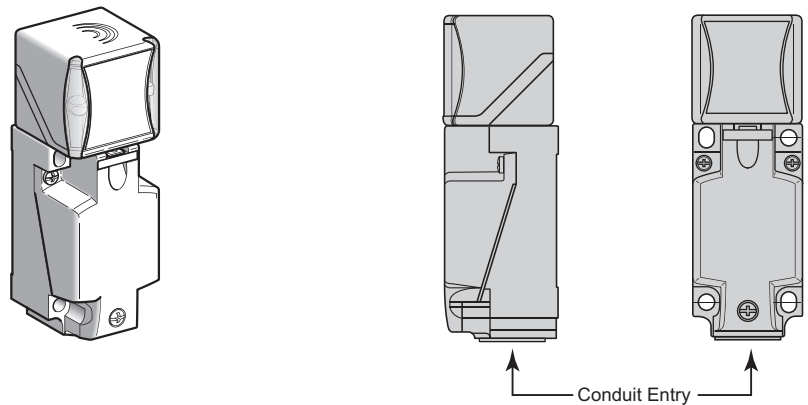
NOTE: XS8C4A1NCP20 is not available with an N12 suffix, but is available with a G13 suffix (Pg 13.5 cable entry).



The catalog number references ending in P20 in the catalogs listed in Table 1 are intended for the European market. P20 specifies an M20 x 1.5 mm threaded metric conduit entry.

For products more commonly used in the North American market, complete with a 1/2"-14 NPT threaded conduit entry, change the **P20** suffix to **N12**.

Figure 1: Conduit Entry Location



Electrical equipment should be installed, operated, serviced, and maintained only by qualified personnel. No responsibility is assumed by Schneider Electric for any consequences arising out of the use of this material.

© 2013 Schneider Electric All Rights Reserved

All trademarks are owned by Schneider Electric Industries SAS or its affiliated companies.