

Type

	-09	-15	-20	-30	-30W	-143
P2501	<input type="checkbox"/>	<input type="checkbox"/>	<input type="checkbox"/>	<input type="checkbox"/>	<input type="checkbox"/>	<input type="checkbox"/>

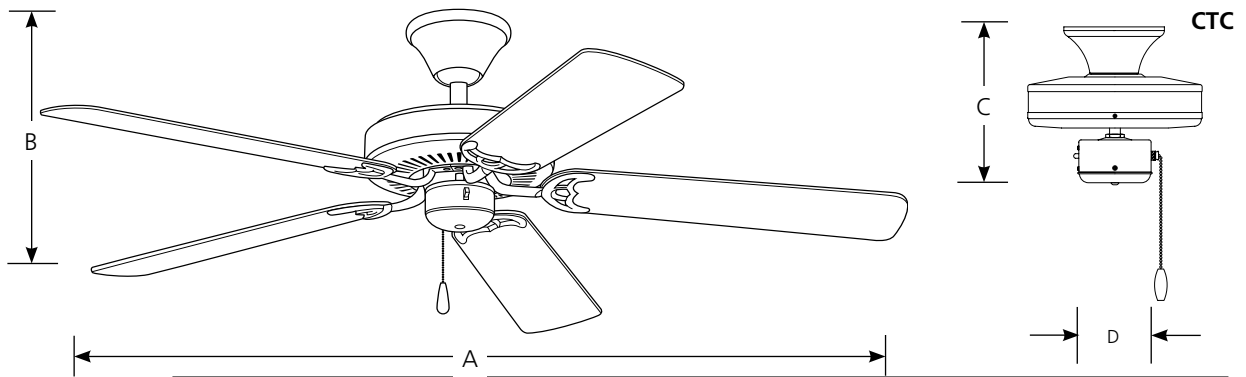
Finish

Dimensions (Inches)

Catalog No.	Finish						Dimensions (Inches)			
	Brushed Nickel	Polished Chrome	Antique Bronze	White	White	Graphite	A	B	C	D
P2501	-09	-15	-20	-30	-30W	-143	52	12	9-3/4	4

Blades

	Brushed Nickel	Polished Chrome	Antique Bronze	White	White	Graphite
Side 1	Cherry blades	Black blades	Medium Cherry blades	White blades	White blades	Graphite blades
Side 2	Natural Cherry blades	Driftwood blades	Classic Walnut blades	Washed Oak blades	White blades	Black blades



**Specifications:**

General

- Energy Star Certified
- 30 year limited warranty

Blades

- Five blades
- Reversible
- 12 degree pitch
- SureConnect® blade arms
- Screws preinstalled in blades for attachment to motor arms
  - Special guides align blades to motor arms
  - Preinstalled rubber isolation pads minimize vibration noise
  - Hybrid MDF and Plywood blade material

Motor

- Triple capacitor speed control; manual reverse control
- 153mm dia x 14.5mm high

- Pull chain on Brushed Nickell (-09) and Polished Chrome (-15) is chrome with a maple fob, Antique Bronze (-20) and Graphite (-143) is antique brass with a solid wood oak fob, White (-30 & -30W) is chrome with a white fob.

Mounting

- Ceiling downrod or close-to-ceiling mount
- Quick Install canopy
  - Installs without removing J-box screws
  - Holds fan for wiring during installation
  - Dual-mount for downrod or close to ceiling mounting
- A 3/4" x 4-1/4" downrod is included. Longer accessory downrods can be ordered separately
- Standard canopy designed for sloped ceilings up to 45 degrees (12:12 ceiling pitch) using downrod supplied or accessory downrods
- Oversized, textured die cast hanger ball reduces noise and wobble vibrations
- Canopy covers standard recessed 4" octagonal outlet box. Note: An outlet box assembly designed for fan installation is required (not included)
- Mounting hardware is included

**ENERGYGUIDE**

Estimated Yearly Energy Cost **\$11**

Airflow **2,930**  
Cubic Feet Per Minute

Cost Range of Similar Models (19" - 84")  
\$3 | | | \$34

• The higher the airflow, the more air the fan will move.  
• Airflow Efficiency: 74 Cubic Feet Per Minute Per Watt

• Based on 12 cents per kWh and 6.4 hours use per day  
• Your cost depends on rates and use  
• Energy Use: 29 Watts

All estimates based on typical use, excluding lights. [fpc.gov/energy](http://fpc.gov/energy)

Fan mounted as close-to-ceiling.



**ENERGY INFORMATION AT HIGH SPEED**

AIRFLOW: 4406 CFM cubic feet per minute

ELECTRICITY USE: 67 watts (excludes lights)

AIRFLOW EFFICIENCY: 66 cubic feet per minute per watt

Fan on a downrod.

Electrical

- 80" feet of wire supplied
- Pre-wired

Labeling

- UL Dry loaction listed