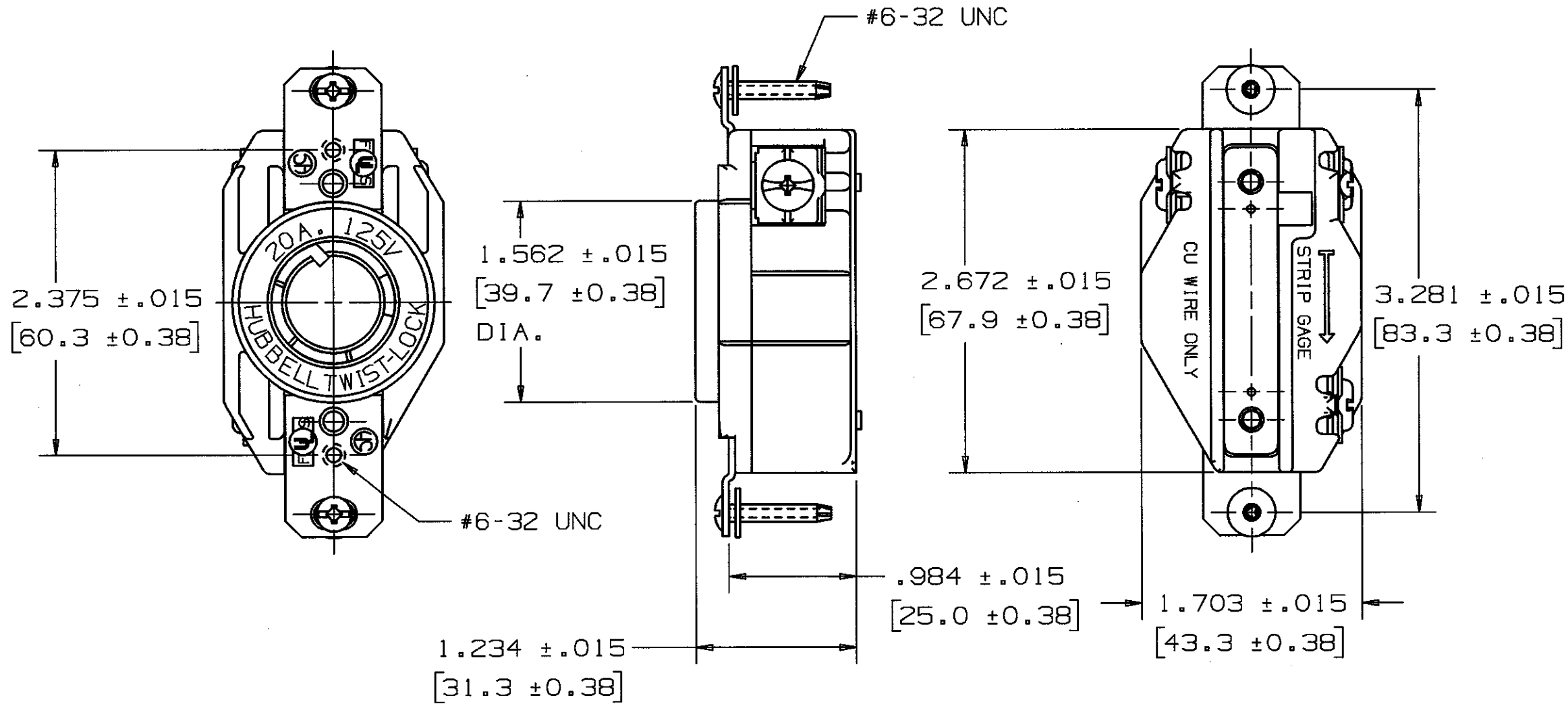


**M-9088** 1

NOTES: ULESS OTHERWISE SPECIFIED:

1. DIMENSIONS ARE INCHES [MILLIMETERS].
2. CONDUCTOR SIZE: 12 AWG TO 10 AWG.



LIST OF PARTS		
DESCRIPTION	MATERIAL	FINISH
BASE	POLYESTER	BLACK
COVER	NYLON	BLACK
CONTACT SPRING	.040 BRASS	
CLAMP	.040 BRASS	
GR. SHUNT	.015 BRASS	
BINDING SCREWS	BRONZE	*
HEX.HD.BIND.SCREW	BRONZE	GREEN
BACK PLATE	.040 BRASS	NICKEL
END PLATES	STEEL	NICKEL
RIVET	BRASS	
SCREWS, MOUNTING	STEEL	ZINC

\* WHITE FINISH ON NEUTRAL SCREW WHEN USED

1	RELEASED PER DCN 10754	5/22/03
SYM	REVISIONS	APP DATE

THE DESIGN AND DIMENSIONS OF THE PRODUCT SHOWN ON THIS DRAWING ARE SUBJECT TO CHANGE WITHOUT NOTICE

TITLE 20A. 2 POLE 3 WIRE TWIST LOCK RECEPTACLES

TOLERANCES UNLESS OTHERWISE SPECIFIED	WIRING DEVICE-KELLEMS HUBBELL INCORPORATED BRIDGEPORT, CT	
FRACTIONS $\pm 1/64$	DR. BY CAC	APP. BY <i>[Signature]</i>
DECIMALS $\pm .005$	TR. BY	SCALE NONE
ANGLES $\pm 2^\circ$	CHK'D BY	DATE 5/22/03

CATALOG NO.	CONFIGURATION	RATING	UL	CSA	FED SPEC.
L520R	NEMA L5-20R	20A. 125V	YES	YES	YES
L620R	NEMA L6-20R	20A. 250V	YES	YES	YES
L720R	NEMA L7-20R	20A. 277V	YES	YES	YES

DIMENSION SHEET FOR CAT. NO. SEE CHART  
 REPAIRABLE  NON-REPAIRABLE   
**B**  
**M-9088**  
 1