

H365NR

Safety switch, heavy duty, fusible, 400A, 3 poles, 250 hp, 600 VAC/DC, NEMA 3R, neutral factory installed



Main

Product	Single Throw Safety Switch
Current Rating	400 A
Certifications	UL listed file E2875
Enclosure Rating	NEMA 3R galvanized steel
Factory Installed Neutral	Neutral (factory installed)
Disconnect Type	Fusible disconnect
Short Circuit Current Rating	10 KA H or K 200 kA R, J or L
Mounting Type	Surface
Number of Poles	3
Electrical Connection	Lugs
Duty Rating	Heavy duty
Voltage Rating	600 V AC/DC
Wire Size	AWG 1/0...750 kcmil copper or aluminium

Complementary

Maximum Horse Power Rating	100 Hp 480 V AC 50...60 Hz 3 phase NEC 240.6 250 Hp 480 V AC 50...60 Hz 3 phase NEC 430.52 125 Hp 600 V AC 50...60 Hz 3 phase NEC 240.6 350 Hp 600 V AC 50...60 Hz 3 phase NEC 430.52 50 Hp 250 V DC 50 hp 600 V DC
Maximum Height	50.31 in (1277.87 mm)
Maximum Depth	10.13 in (257.30 mm)
Maximum Width	27.88 in (708.15 mm)
Tightening torque	550 lbf.in (62.14 N.m) AWG 1/0...750 kcmil)

Ordering and shipping details

Category	00054 - H&HU SW,NEMA3R,400-1200A
Discount Schedule	DE1
GTIN	00785901026686
Nbr. of units in pkg.	1
Package weight(Lbs)	186 lb(US) (84.37 kg)
Returnability	Yes
Country of origin	MX

Packing Units

Unit Type of Package 1	PCE
Package 1 Height	14.02 in (35.6 cm)
Package 1 width	28.31 in (71.9 cm)
Package 1 Length	51.50 in (130.8 cm)

The information provided in this documentation contains general descriptions and/or technical characteristics of the products contained herein. This documentation is not intended as a substitute for and is not to be used for determining suitability or reliability of these products for specific user applications. It is the duty of any such user or integrator to perform the appropriate and complete risk analysis, evaluation and testing of the products with respect to the relevant specific application or use thereof. Neither Schneider Electric Industries SAS nor any of its affiliates or subsidiaries shall be responsible or liable for misuse of the information contained herein.

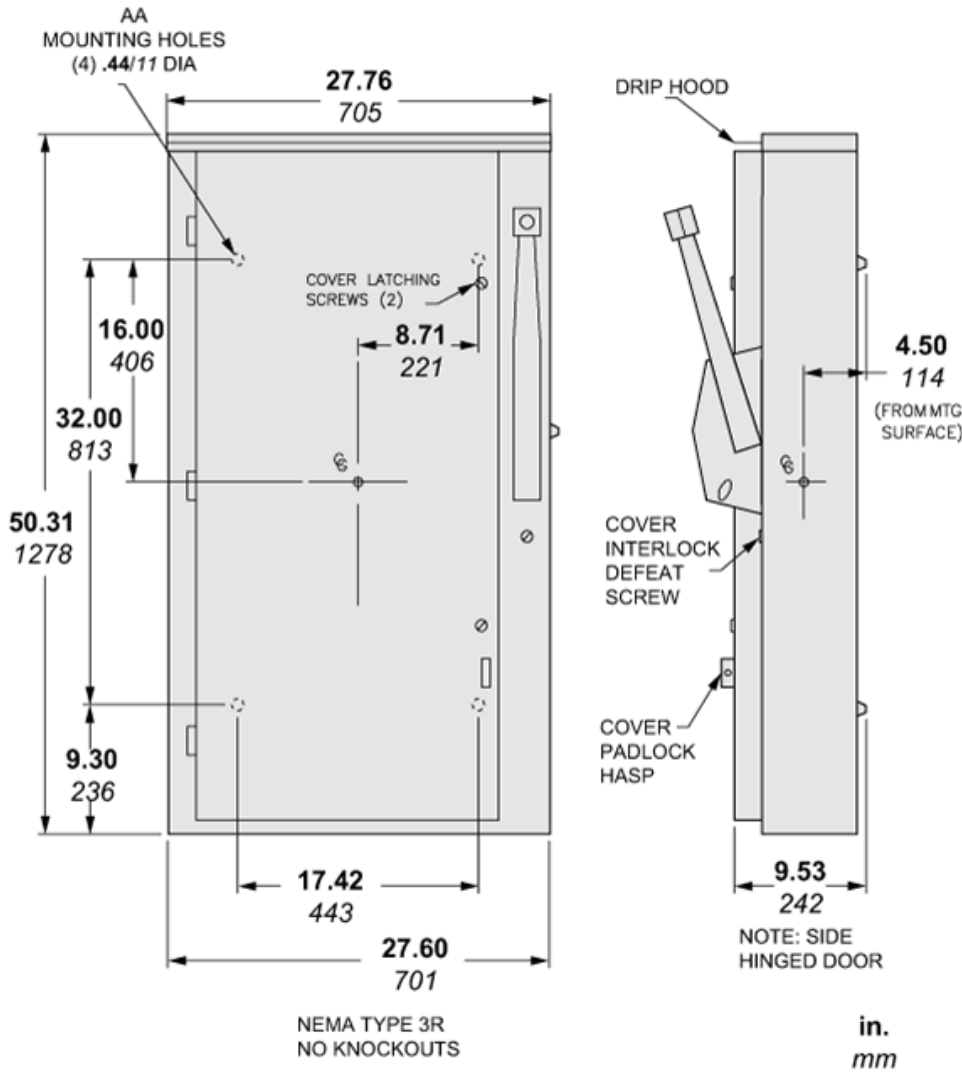
Offer Sustainability

Sustainable offer status	Green Premium product
REACH Regulation	REACH Declaration
REACH free of SVHC	Yes
EU RoHS Directive	Compliant EU RoHS Declaration
Mercury free	Yes
RoHS exemption information	Yes
China RoHS Regulation	China RoHS Declaration
Environmental Disclosure	Product Environmental Profile
PVC free	Yes
Halogen content performance	Halogen free plastic parts product

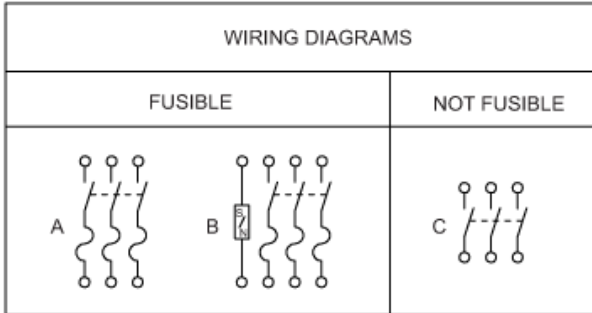
Contractual warranty

Warranty	18 months
----------	-----------

Approximate Dimensions



Wiring Diagrams



TERMINAL LUGS DATA			
AMPERE	MAX WIRE	MIN WIRE	TYPE
400	(1) 750 KCMIL OR (2) 300 KCMIL	(1) #1/0 AWG OR (2) #1/0 AWG	AL OR CU