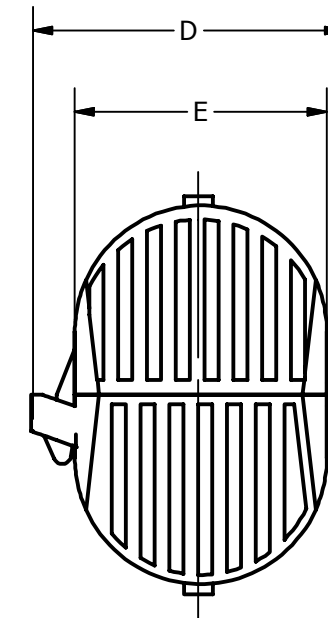
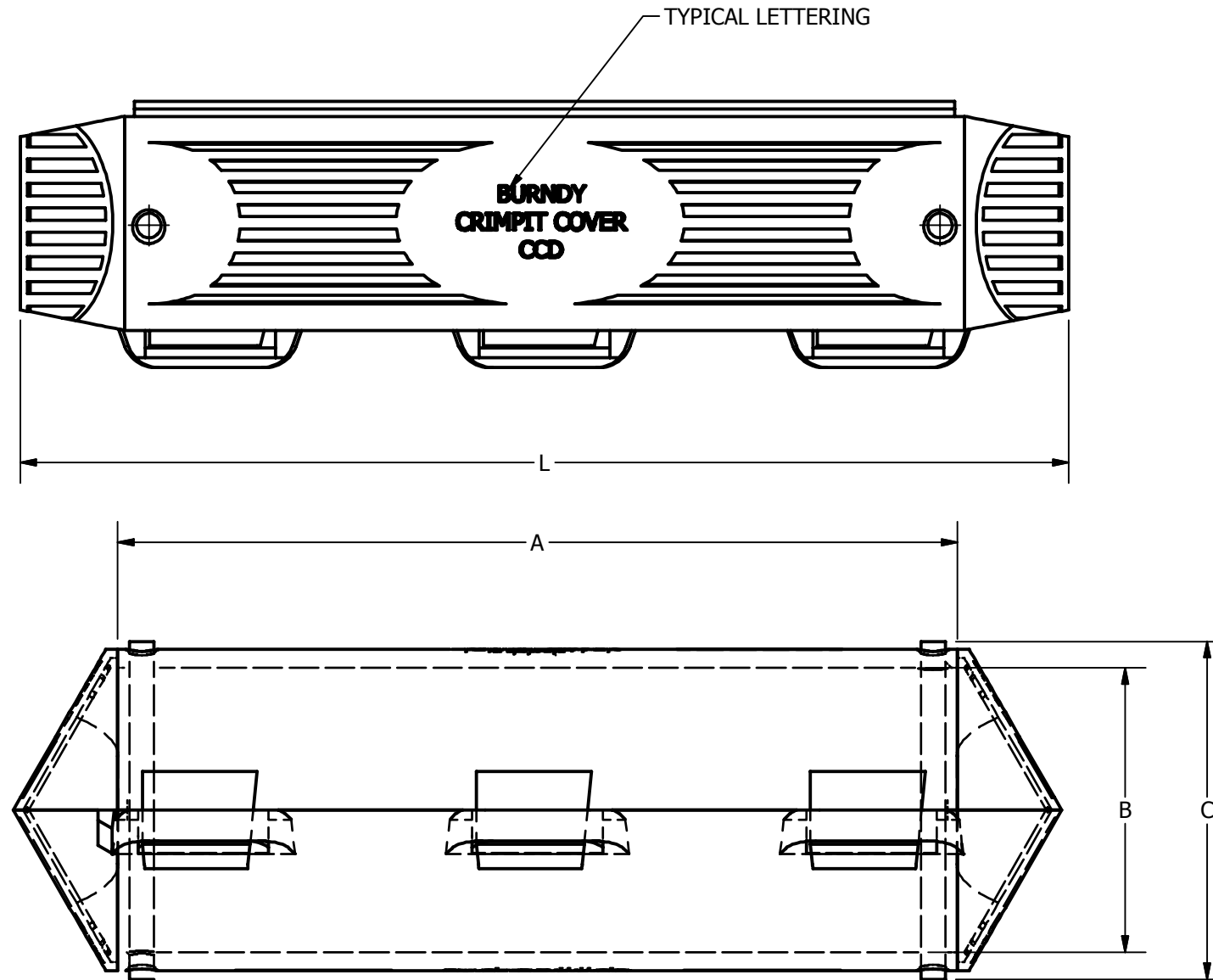


SI.NO.	ITEM NO.	CATALOG NO.	A	B	C	D	E	L
1	161220	CCD	4.56	1.62	1.84	1.46	1.09	5.57
2	161235	CCO	3.44	1.32	1.53	1.29	.88	4.29

REV	DATE	DESCRIPTION	ECO	BY	CHK.
A	06/20/2013	REDRAW IN INVENTOR	32183	GN	MB



REFERENCE:  
PD058713-01, PE073692-01

NOTES:

- MATERIAL:  
HI-DENSITY POLYETHYLENE
- DIMENSIONS IN BRACKETS [ ] ARE IN MILLIMETERS ROUNDED OFF TO THE NEAREST MILLIMETER, UNLESS OTHERWISE SPECIFIED AND ARE FOR REFERENCE ONLY.

TO ORDER BURNDY® PRODUCTS CALL		INSULATING COVER - CABELOK CRIMPIT	
UNITED STATES 1-800-346-4175 (LONDONDERRY, NH)		ITEM NO: SEE TABLE	
CANADA: 1-800-361-6975 (QUEBEC) 1-800-387-6487 (ALL OTHER PROVINCES)		CAT. NO: SEE TABLE	
FOR PRODUCT INFO: <a href="http://www.burndy.com">http://www.burndy.com</a>		DRAWN BY: H.C. 01/14/1976	
		CHECKER: --	
		DSN APRVL: --	
		MFG APRVL: --	
		QA APRVL: --	
		MKT APRVL: --	
		PROD FAM: --	
		DRAWING NO	
		SC078579-01	
		REV	
		A	
		SHEET 1 OF 1	