

DRAWING NO.
10029169

4

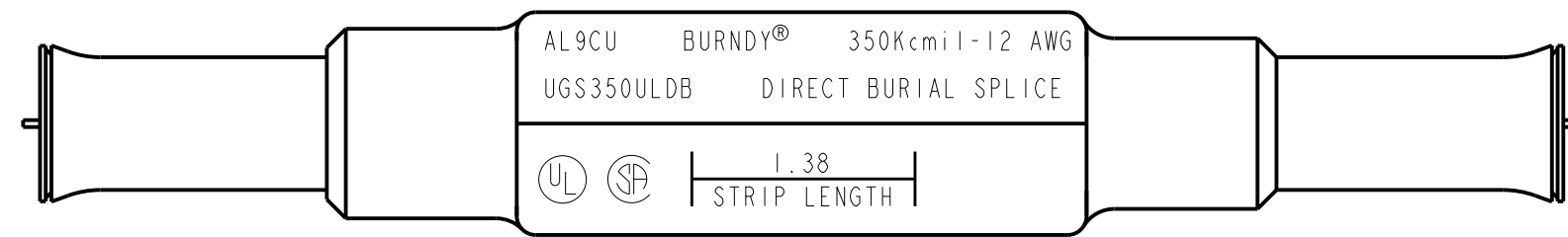
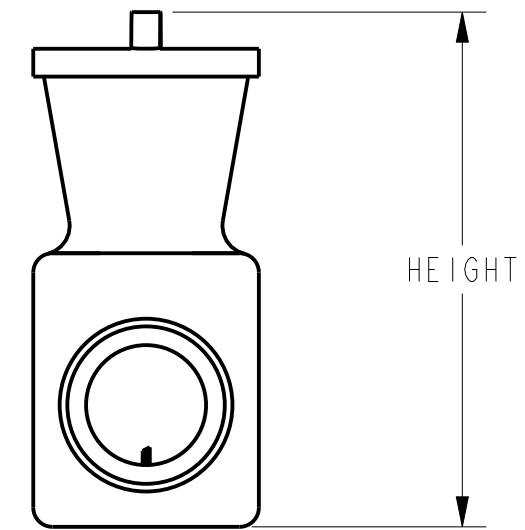
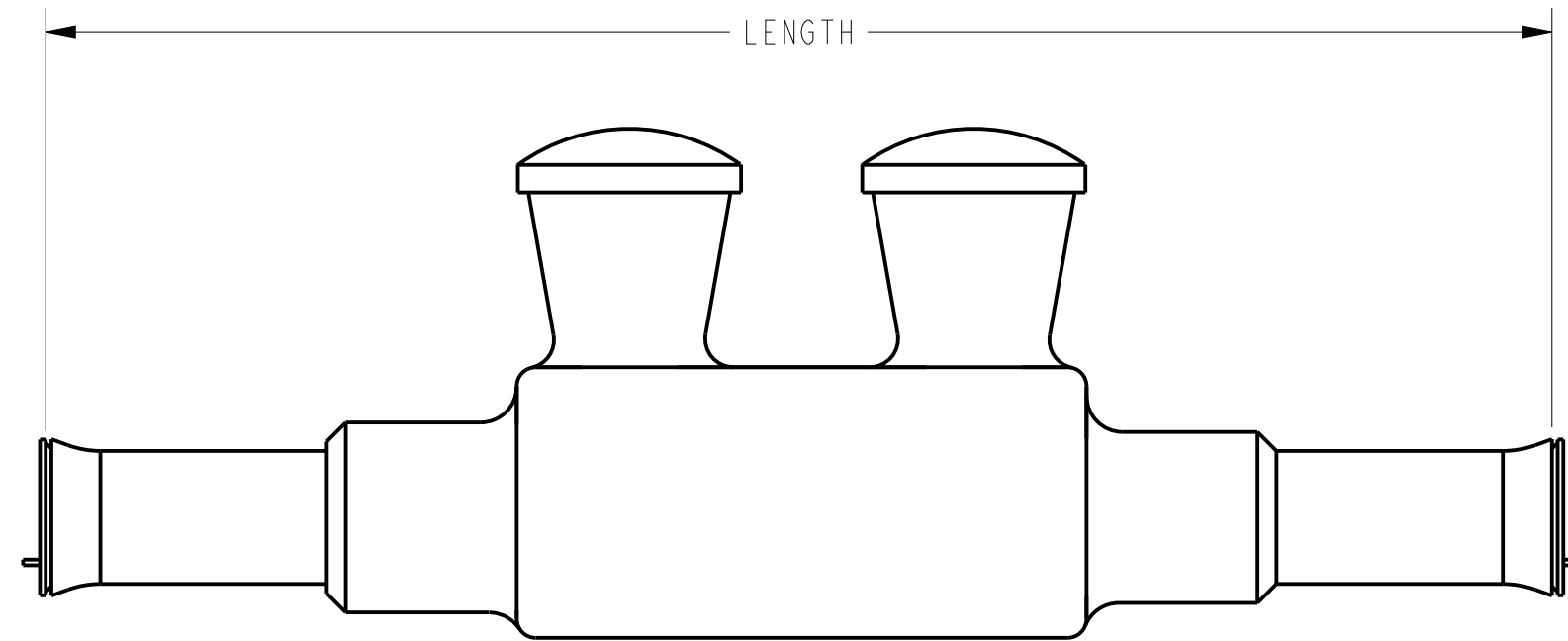
3

2

1

BURNDY® CATALOG NO.	ITEM NUMBER	WIRE RANGE	LENGTH	HEIGHT	HEX SIZE
UGS350ULDB	10028270	350 Kcmil-12 AWG STR	8.50 [216]	2.83 [71.8]	5/16" [7.9]

REV	DATE	DESCRIPTION	ECO	BY	C'H'K.
E	03/17/2014 00:00:00 AM	UPDATED AS PER MARKUP	35258	BSB	AD



PRODUCT MARKING
(BOTTOM SIDE)

WIRE SIZE	RECOMMENDED TORQUE
#12-6 STR	125-150 IN-LBS (10-13 FT-LBS)
#4-3/0 STR	180-240 IN-LBS (15-20 FT-LBS)
4/0-350 STR	275-450 IN-LBS (23-48 FT-LBS)
400-1000 STR	475-550 IN-LBS (40-46 FT-LBS)

NOTES:

- ENCAPSULATED IN RUBBER WITH A NOMINAL THICKNESS OF 125 MILS AND A DIELECTRIC STRENGTH OF 240 VOLTS PER MIL.
- PRE-MARKED END INSERT ALLOWS BROAD WIRE RANGE.
- O-RING DESIGN SCREW CAP INSERTS.
- CONNECTOR IS PRODUCED FROM HIGH STRENGTH ALUMINUM ALLOY.
- RATED FOR 600 VOLTS.
- DUAL RATED FOR COPPER AND ALUMINUM CONDUCTOR.
- UL 486D LISTED FOR DIRECT BURIAL AND SUBMERSIBLE. CSA CERTIFIED FOR DIRECT BURIAL.
- CONNECTOR HAS SOLID WIRE STOP.
- TUBE OF SILICONE LUBRICANT FOR CONDUCTOR INSERTION INCLUDED.
- INSTALLATION INSTRUCTION INCLUDED WITH EACH CONNECTOR.
- DIMENSIONS IN BRACKETS [] ARE IN MILLIMETERS ROUNDED OFF TO THE NEAREST MILLIMETER, UNLESS OTHERWISE SPECIFIED, AND RE FOR REFERENCE ONLY.

<p>TO ORDER BURNDY® PRODUCTS CALL</p> <p>UNITED STATES: 1-800-346-4175 (LONDONDERRY, NH)</p> <p>CANADA: 1-800-361-6975 (QUEBEC) 1-800-387-6487 (ALL OTHER PROVINCES)</p> <p>FOR PRODUCT INFO: http://www.burndy.com</p>	UNDERGROUND INLINE SPLICE 350 Kcmil MAX.	
	ITEM NO: 10028270	
	CAT. NO: UGS350ULDB	
	DRAWN BY: P LAPONIUS	8/12/03
	CHECKER: D BOISVERT	8/13/03
	DSN APPVL: T.R.R	8/6/03
	MFG APPVL: --	--
	QA APPVL: C ACKERMAN	8/7/03
	MKT APPVL: A ZWIT	8/7/03
	SCALE: NTS	
PROD FAM: --	DRAWING NO	REV
PROJECT #: --	SIZE	
DOCUMENT TYPE: Production	C	10029169
REL LEVEL: Released		SHEET 1 OF 1



4

3

2

1

REV: PE0200