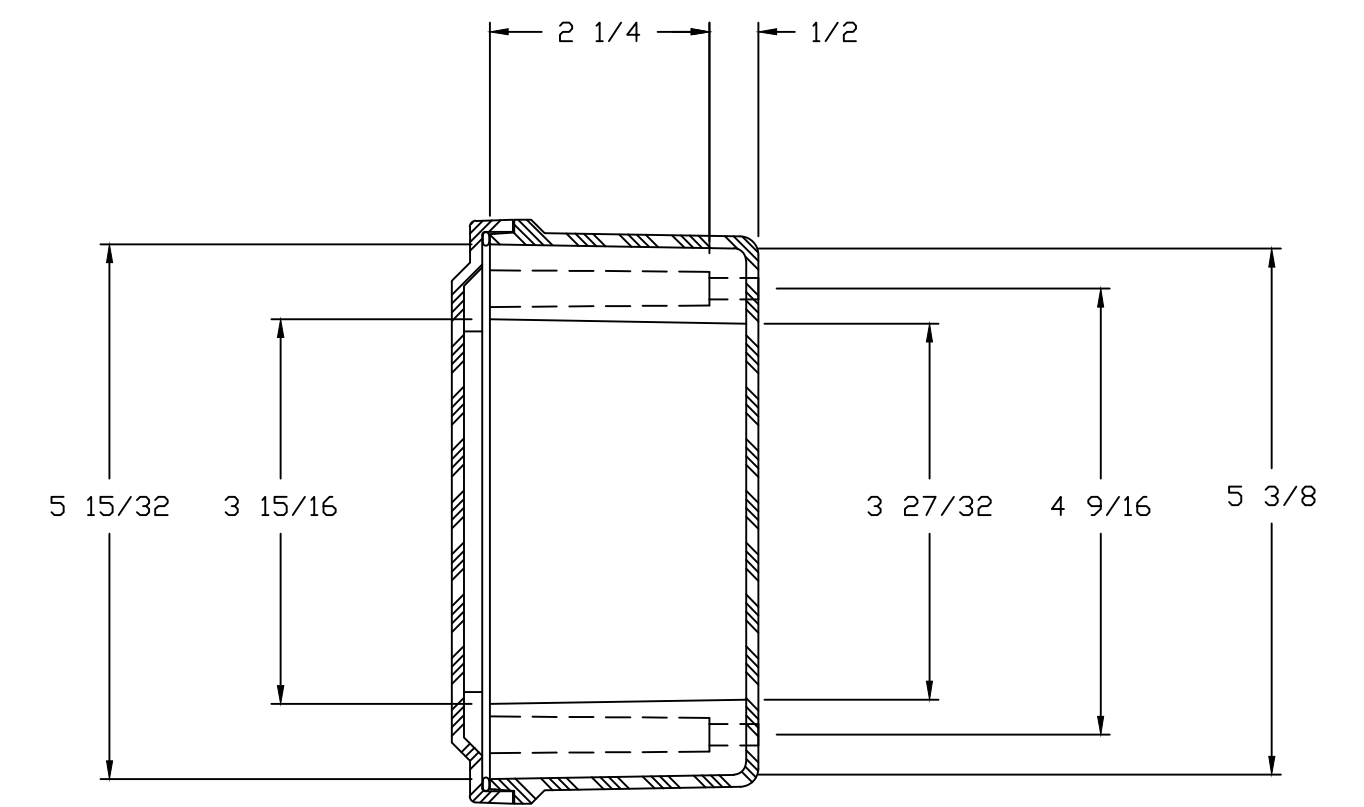
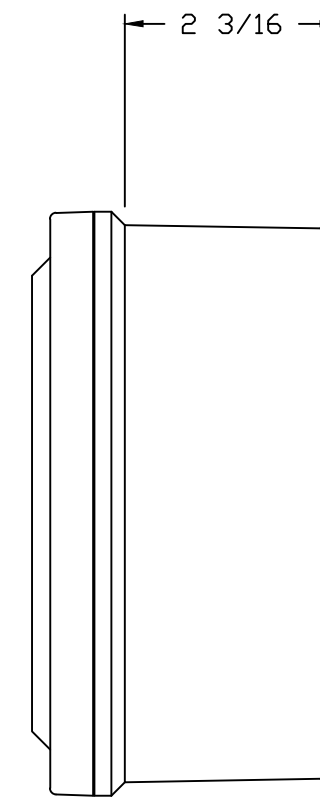
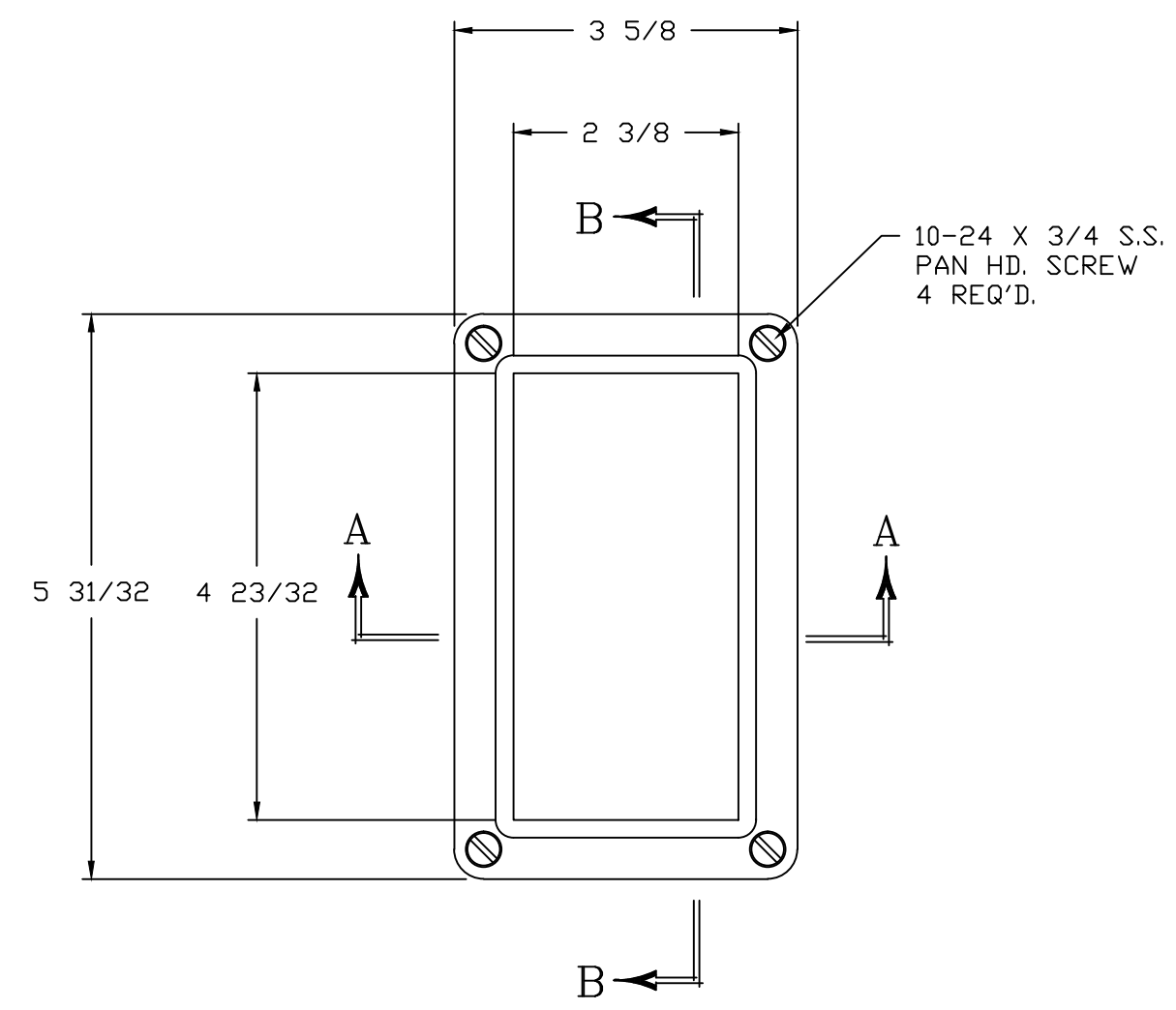
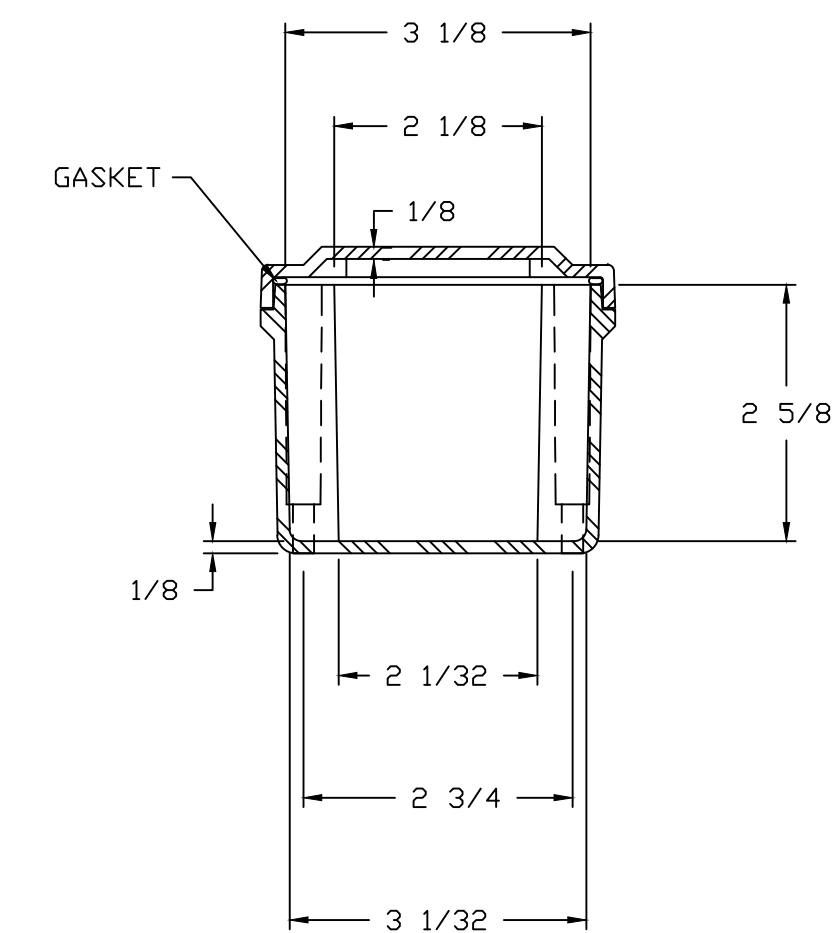
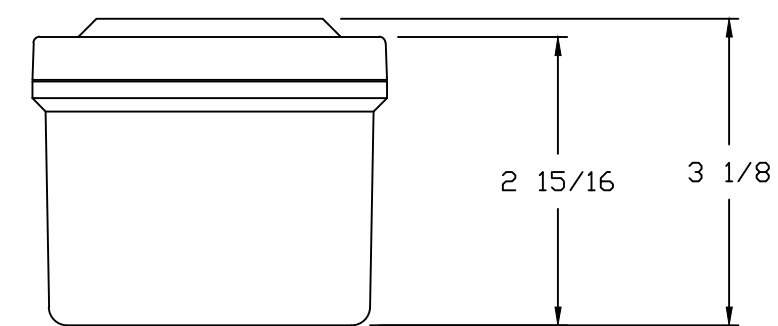


TOP VIEW
WITHOUT COVER




SECTION B-B



SECTION A-A

NOTES:

NEMA 4X				TOLERANCES UNLESS SPECIFIED		DECIMAL ± .010	FRACTIONAL ± 1/32
COLOR: GLACIER GRAY (RR1013)							
MATERIAL: F.R. POLYESTER FIBERGLASS				DR. BY: GF	DATE: 7/23/93	 BELDING, MICHIGAN 48809	
REVISION RECORD				CHK. BY:	DATE:		
LET.	DATE	BY	CHD.	APD. BY:	DATE:	CUSTOMER	
				SCALE: DO NOT SCALE		PART NO. CF532	
				PART NAME: ENCLOSURE		PART NO. CF532	