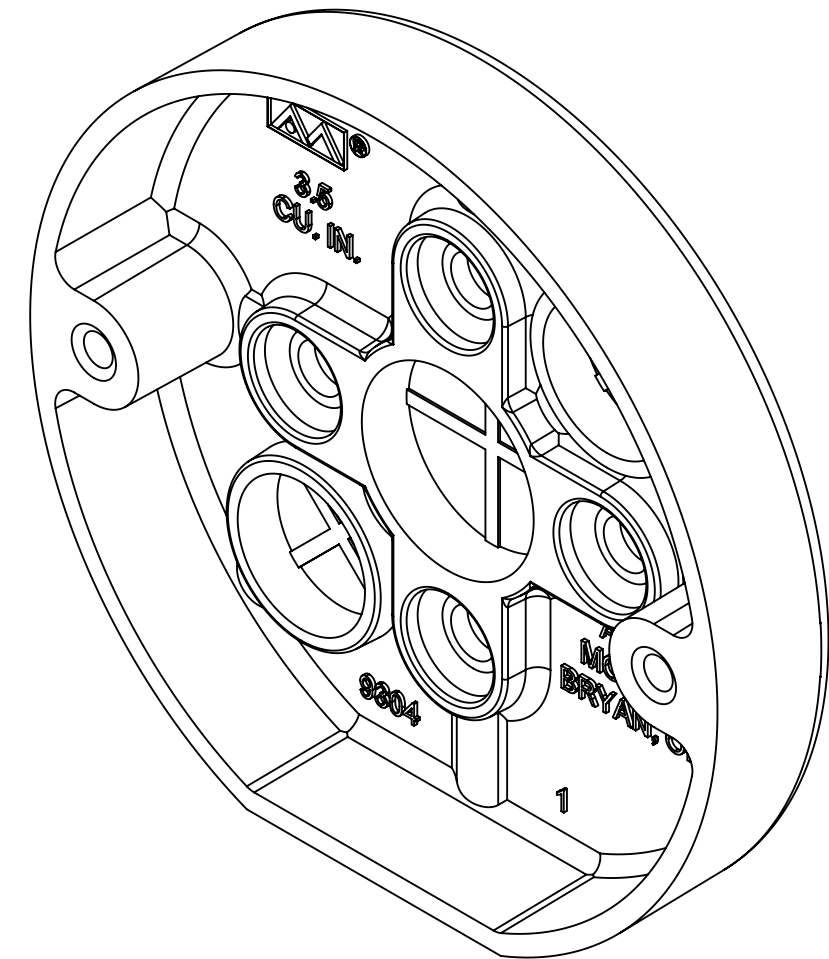
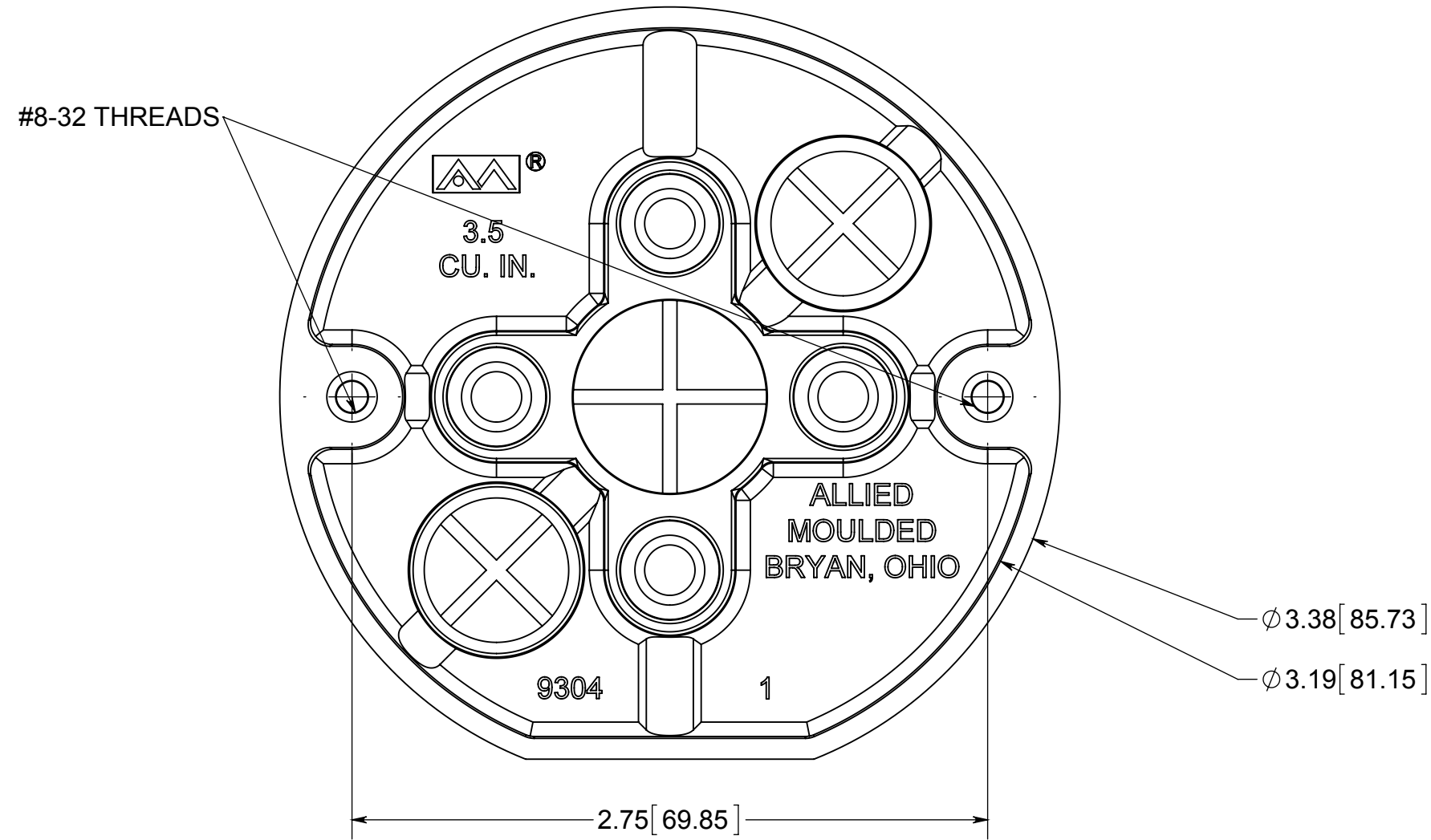
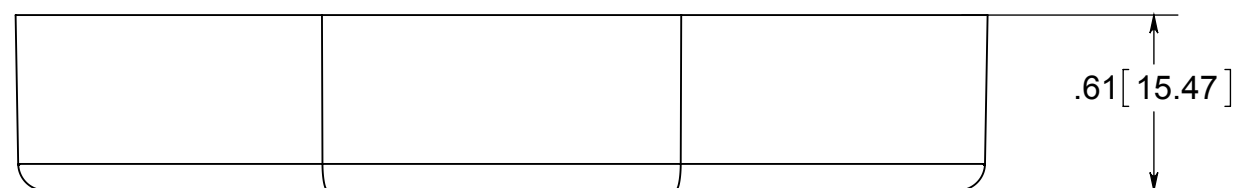


fiberglass BOX™

ISSUE DATE: 05/13/2015



- NOTES:
 1.) BOX MATERIAL: FIBERGLASS REINFORCED POLYESTER
 2.) NOT UL LISTED. SEE NEC 2008 410.10.



 **ALLIED MOULDED PRODUCTS**
 BRYAN, OHIO
 The Original Fiber Glass Outlet Box

PRODUCT SERIES

3-1/2" ROUND 3.5 CU. IN.

Part No.

9304

CONFIDENTIAL

THIS MATERIAL IS OWNED BY THE ALLIED MOULDED PRODUCTS COMPANY, IS DISCLOSED IN CONFIDENCE, AND IS NOT TO BE REPRODUCED OR DISTRIBUTED WITHOUT PRIOR WRITTEN PERMISSION FROM ALLIED MOULDED PRODUCTS.