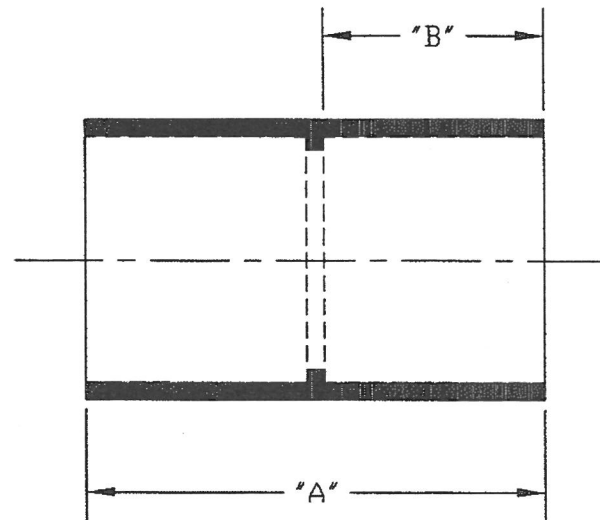
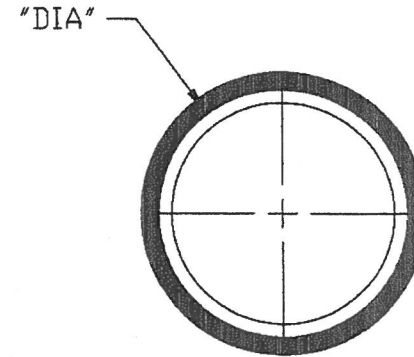
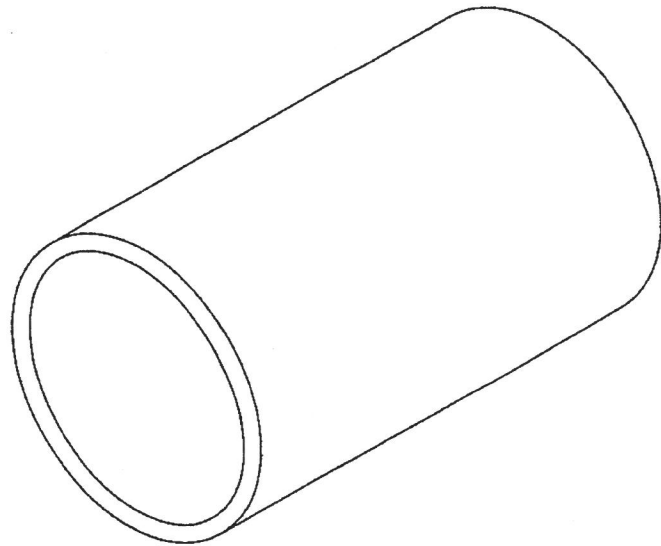


PART NUMBER	SIZE	"DIA"	"A"	"B"	Manufact.
6202000	2	2 $\frac{3}{8}$ "	4 $\frac{3}{16}$ "	2"	CANTEX
6202005	3	3 $\frac{1}{2}$ "	6 $\frac{1}{2}$ "	3 $\frac{1}{4}$ "	CANTEX
6202010	4	4 $\frac{1}{2}$ "	7"	3 $\frac{1}{2}$ "	CANTEX

Dimensions are nominal
 Not a Listed product
 Material is Rigid PVC
 Parts are molded



CANTEX INC. MINERAL WELLS, TEXAS		
Sch 40 Longline Coupling w/Center Stop Molded Sch. 40&80 Special Fittings		
Drawn By: O. Medina	Date: 12/16/16	Ref.