



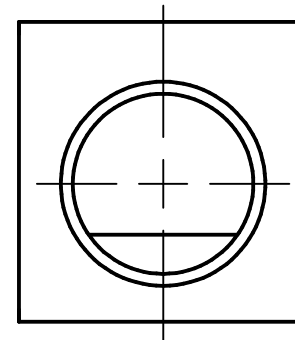
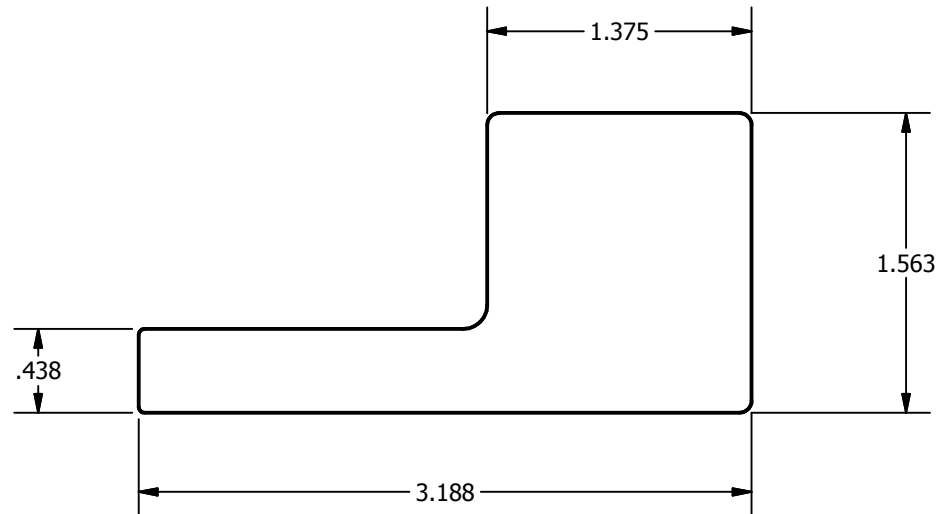
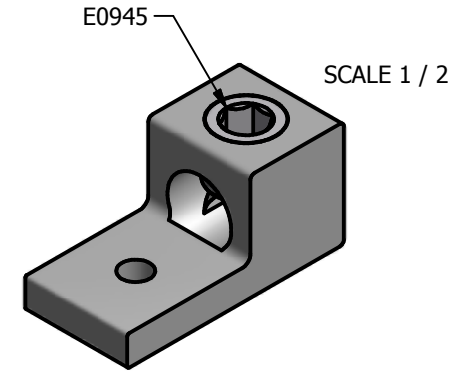
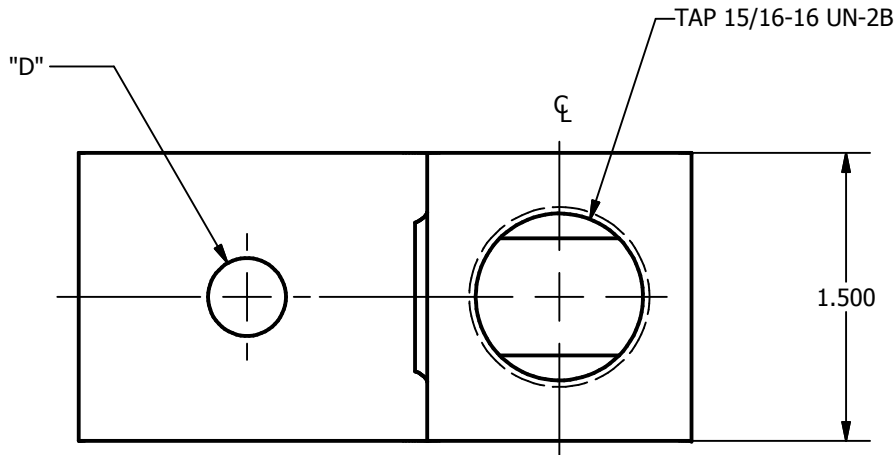


SCREW: E0945	MATERIAL: ALUMINUM	REV: X	 800-776-9775 www.ilsco.com
CAT. NO.: TA-600	PLATING: EL-TIN	DRAWN BY: NN SCALE:1:1	
INFORMATION SHEET: FORM 1	MARKING:  , D1027, TA-600, 600kcmil-2, AL-9CU,  	DATE: 12/12/2007 SIZE: A	
		DWG. NO. D1027	
		SHEET: 1 OF 1	



DEV.	"G"	"D"
-22	.875±.015	.406
-23	.750±.015	.531
-43	.875±.015	.531