
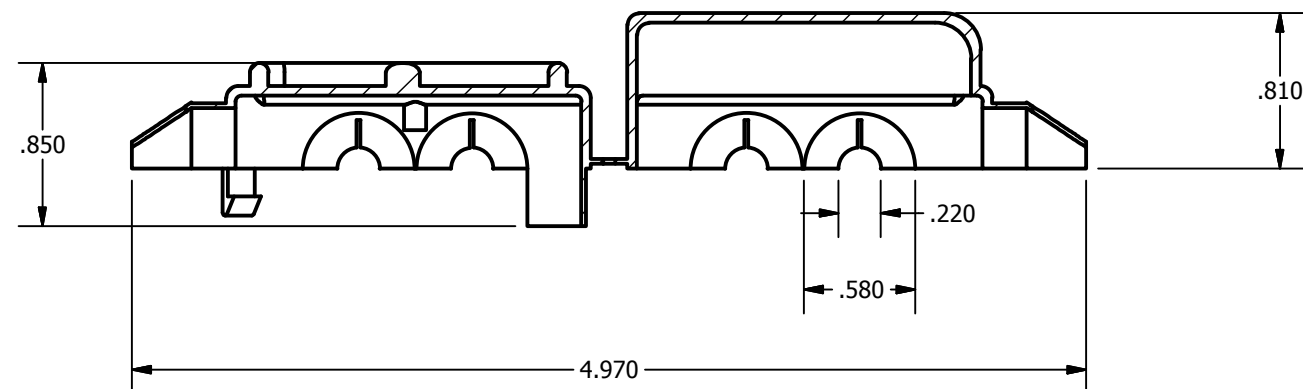
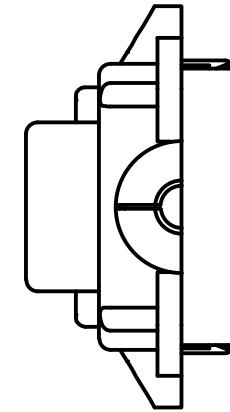
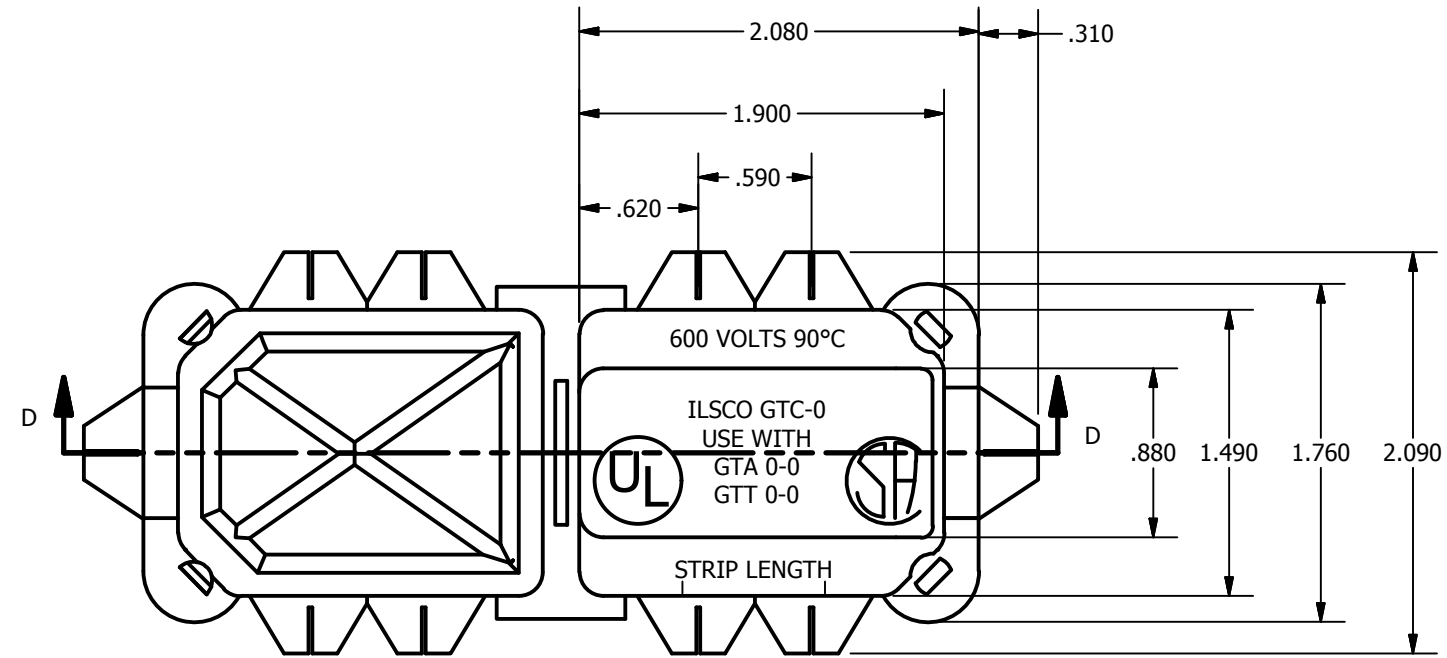
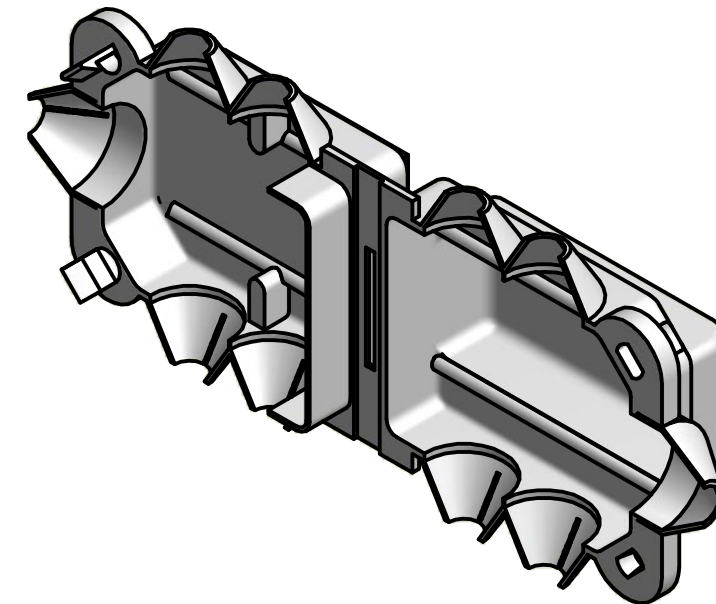


SCREW: NONE	MATERIAL:ARNITEL	REV: G	 800-776-9775 www.ilSCO.com
CAT. NO.: GTC-0	PLATING: NONE	DRAWN BY:JG SCALE: 1=1	
INFORMATION SHEET:NONE	MARKING: SEE DRAWING	DATE:12/7/2007 SIZE: B	
		DWG NO:	R0052
		SHEET:	1 OF 1



SECTION D-D
SCALE 1 : 1



SCALE 1 : 1