

Straight Blade Devices  
20/16A, 250V AC, 2 Pole, 3 Wire Grounding  
Plug IEC 320 Compatible

# HUBBELL

## Features

- Compatible with IEC320
- Hinged one piece body design for easy assembly
- Two captive multiple drive assembly screws

## Ordering Information

Description	Device Color	UPC	Catalog Number
IEC Configuration compatible straight blade Valise® plug.	Black	783585777061	H320P

## Listings

UL Listed 20A 250V AC-File No. E1706  
CSA certified 20A 250V AC-File No. 17337

## Specifications

Device Type	2 Pole + earth
Housing	Nylon
Terminal Retainer	Nylon
Contact Blades	.040" (1.0) Brass
Terminal Screws	Stainless steel
Terminal Clamp	Nickel plated steel
Assembly Screws	Zinc plated steel

## Performance

### Electrical

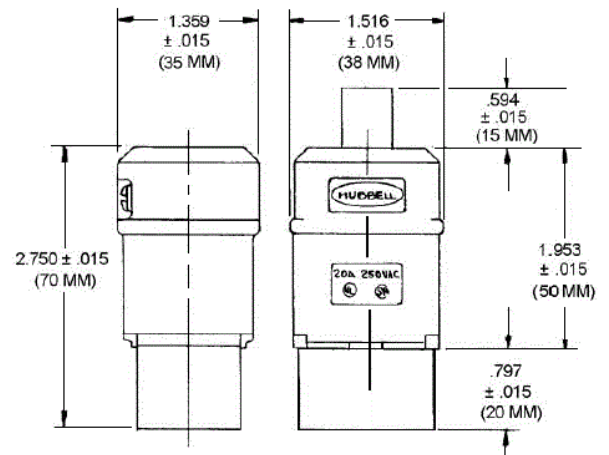
Dielectric Voltage	Withstands 2,000V minimum
Rating	16A 250V AC for European service; 20A 250V AC for North American service

### Mechanical

Cord Accommodation	.325" - .475" (8.0-12.0)
Terminal Accommodation	North American – #16-12 AWG stranded or solid copper conductor only. International – 1.55mm <sup>2</sup> -2.5mm <sup>2</sup>
Terminal Identification	Terminals identified in accordance with UL 498 and CSA

### Environmental

Flammability	UL 94 HB or better
IP Suitability	IP20
Operating Temperatures	Maximum continuous 75°C; minimum -40°C (w/o impact)



## Resources

Customer Use Drawing  
eCatalog

Dimensions in Inches (mm)

Hubbell Wiring Device-Kellems • Hubbell Incorporated (Delaware) • 40 Waterview Drive • Shelton, CT 06484

Phone (800) 288-6000 • Fax (800) 255-1031 • Specifications subject to change without notice.

