

PROSERIES™ “JUNIOR” LED LUMINAIRE

Our ProSeries Junior is designed specifically for retrofitting and upgrading “jelly jar” fixtures for utility lighting applications — swine, poultry, dairy cattle, fish, and other food and agricultural products. This 14-Watt LED Utility Luminaire Series provides high lumen output, maximum downward lighting, dramatically reduces energy consumption, and lowers your electrical expenses.

Upgrading your “jelly jar” light fixtures using our ProSeries Junior LED Utility Luminaire Series will lower your maintenance cost and gives you a better performing lighting system compared to outdated incandescent or compact fluorescent lamps, or an A19 LED lamp that is not intended or rated for enclosed applications.

PROSERIES JUNIOR LED UTILITY LAMP

The ProSeries Junior LED Utility Lamp (P/N 15980) is a direct replacement for incandescent or CFL lamps currently used in “jelly jar” fixtures. The LED lamp upgrades them into energy efficient and cost-effective LED luminaires. It adapts quickly and easily to most jelly jar fixtures on the market.

PROSERIES JUNIOR LED UTILITY LUMINAIRE UPGRADE

Our ProSeries Junior Utility Lamp Upgrade (P/N 15981) is a direct “hard-wire” replacement for light fixture bases that have been in service longer than five (5) years. Over time, deterioration from solid and hazardous waste pollution, moisture, UV emissions, and other environmental causes can start to occur.

PROSERIES JUNIOR LED UTILITY LUMINAIRE

As a complete luminaire, our polycarbonate and lightweight ProSeries Junior LED Utility Luminaire (P/N 15982) is highly desirable for animal confinement or horticultural farming operations, or for expanding and modifying an existing operation.

BENEFITS

- Suitable for wet and damp locations.
- Use for applications that require wash-down.
- No glass and no lamp breakage.
- ProSeries Junior LED Utility Lamp (P/N 15980) requires no rewiring; Includes E26 socket connector for direct, fast, and easy installation.
- Low energy consumption: Save 90% vs. incandescent lamps and 55% vs. CFLs.
- Integral heat sink prevents dust and insect accumulation.
- Return on investment in 12 months or less.

FEATURES

- Polycarbonate, lightweight construction will not rust or corrode.
- Uniformly distributes a 120° spread of glare-free lumen diffused light.
- Instant start, no flickering.
- Mercury free; no UV emissions, protects the environment.
- LED Engine provides consistent lumen output over changing voltage conditions.
- Includes luminaire disconnect for safe servicing without exposure to electrical shock.



PROSERIES JUNIOR

PROSERIES JUNIOR SPECIFICATIONS			
Output Lumens	1440 Lumens	Operating Temperature	-4°F (20°C) to 113°F (45°C)
Power Consumption	14-Watts	Applications	<ul style="list-style-type: none"> ■ Dry, Damp, or Wet Locations ■ Ceiling Mount only
Amperes	.11 Amps	Certifications	ETL and Energy Star Certified
Operating Voltage	120-277 Volts via Built-in Constant Current Drive	Surge Protection	Built-in Protection up to 2,400 Volts
Power Factor	0.95 Minimum	Dimmable	No
Total Harmonic Distortion	<20%	Lens Options	White only
Correlated Color Temperature (CCT)	5000K	Warranty	5 Years at L ₇₀
Color Rendering Index (CRI)	>82	Construction	Plastic only
Efficacy	103 lm/W	Wire Harness Quick Connect	2-Wire (Black, White)



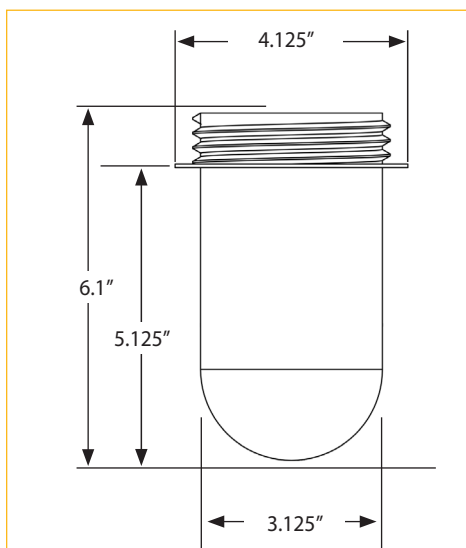
P/N 15980: Includes 14-Watt LED Lamp with Internal Heat Sink and E26 socket adapter



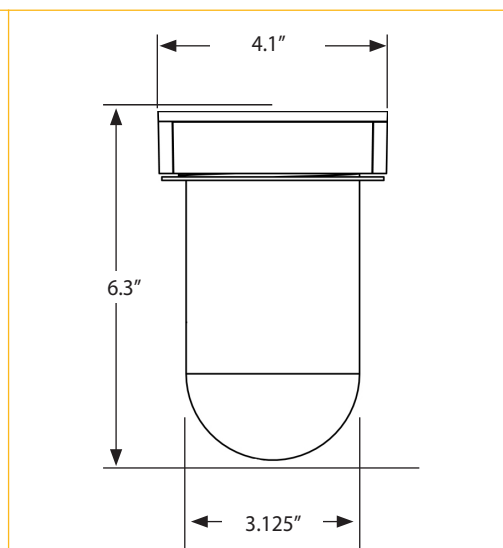
P/N 15981: Includes 14-Watt LED Lamp Upgrade with Internal Heat Sink, Silicone Gasket, and Junction Box Adapter



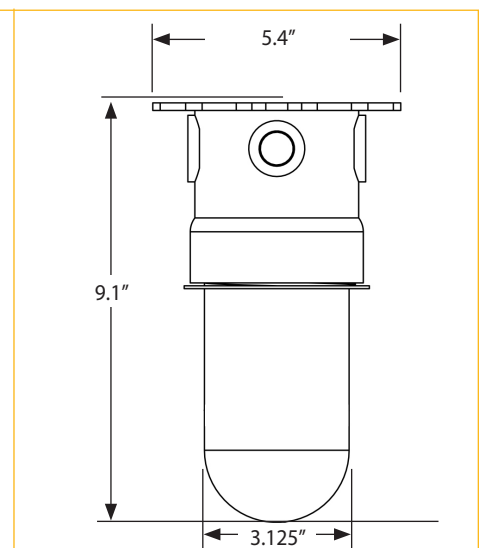
P/N 15982: Includes 14-Watt LED Luminaire with Internal Heat Sink and 18 Cubic Inch Junction Box



P/N 15980: ProSeries Junior LED Utility Lamp



P/N 15981: ProSeries Junior LED Utility Luminaire Upgrade



P/N 15982: ProSeries Junior LED Utility Luminaire

PROSERIES JUNIOR DIMENSIONAL REFERENCE

Specifications subject to change without prior notice.

RETROFIT WITH THE PROSERIES JUNIOR LED UTILITY LAMP (P/N 15980)



BEFORE



Remove globe from luminaire base.



Screw the connector into the socket base. Connect the luminaire disconnect.



AFTER

RETROFIT WITH THE PROSERIES JUNIOR LED UTILITY LUMINAIRE UPGRADE (P/N 15981) WITH ANY OF THE JUNCTION BOX PART NUMBERS SHOWN BELOW AND ON PAGE 4



P/N 15981 with 12 Cubic Inch Junction Box:

- P/N 15045 (.5" and .75" Knockouts)
- P/N 15046 (.5" Knockouts)
- P/N 15047 (.75" Knockouts)



P/N 15981 with 19 Cubic Inch Junction Box:

- P/N 15049 (.75" Knockouts)



P/N 15981 with 12 Cubic Inch SPIDERBOX:

- P/N 15246 (.5" Knockouts)
- P/N 15247 (.75" Knockouts)

PROSERIES JUNIOR

PROSERIES JUNIOR PART NUMBERS

Catalog Number	UPC Number	Description	Order Unit	Unit Qty	Unit Pkg	Units/Case	TL Case Qty	Min Order Qty	MM Req	Ship Wt (Lbs)
15980	15980	ProSeries Junior LED Utility Lamp: 14-Watt LED Utility Lamp with Internal Heat Sink	EA	1	BX	12	12	1	No	1
15980B	15983	ProSeries Junior LED Utility Lamp (BULK): 14-Watt LED Utility Lamp with Internal Heat Sink	EA	1	BN	12	12	12	Yes	13
15981	15981	ProSeries Junior LED Utility Luminaire Upgrade: 14-Watt LED Lamp with Internal Heat Sink, Silicone Gasket, and Junction Box Adapter	EA	1	BX	12	12	1	No	1
15981B	15984	ProSeries Junior LED Utility Luminaire Upgrade (BULK): 14-Watt LED Lamp with Internal Heat Sink, Silicone Gasket, and Junction Box Adapter	EA	1	BN	12	12	12	Yes	13
15982	15982	ProSeries Junior LED Utility Luminaire: 14-Watt LED Utility Luminaire with Internal Heat Sink and 18 Cubic Inch Junction Box	EA	1	BX	12	12	1	No	2
15982B	15985	ProSeries Junior LED Utility Luminaire (BULK): 14-Watt LED Utility Luminaire with Internal Heat Sink and 18 Cubic Inch Junction Box	EA	1	BN	12	12	12	Yes	15

PROSERIES JUNIOR JUNCTION BOX ACCESSORIES PART NUMBERS

Catalog Number	UPC Number	Description	Order Unit	Unit Qty	Unit Pkg	Units/Case	TL Case Qty	Min Order Qty	MM Req	Ship Wt (Lbs)
Standard Non-Metallic Junction Boxes										
15045	15045	12 Cubic Inch Junction Box: 1/2" and 3/4" Knockout Combo	EA	1	BX	12	12	12	Yes	6
15046	15046	12 Cubic Inch Junction Box: 1/2" Knockouts	EA	1	BX	12	12	12	Yes	6
15047	15047	12 Cubic Inch Junction Box: 3/4" Knockouts	EA	1	BX	12	12	12	Yes	6
15049	15049	19 Cubic Inch Junction Box: 3/4" Knockouts	EA	1	BX	12	12	12	Yes	6
SPIDERBOX Non-Metallic Junction Boxes										
15246	15246	12 Cubic Inch SPIDERBOX Junction Box: 1/2" Knockouts	EA	1	BX	12	12	12	Yes	6
15247	15247	12 Cubic Inch SPIDERBOX Junction Box: 3/4" Knockouts	EA	1	BX	12	12	12	Yes	6

LIMITED WARRANTY

Engineered Products Company (herein known as EPCO) warrants at its sole option, after a failure is confirmed as a true defect in materials or workmanship, EPCO will replace or refund, the ProSeries Junior LED Luminaire for a period of five (5) years from original purchase. This warranty statement applies to the original purchaser and is not transferable. If the product fails before the 5-year period expires, please return this product with your original invoice to: *Engineered Products Company, Attention: Return Materials Department, 5401 Smetana Drive, Minnetonka, Minnesota 55343.*

This Limited Warranty does not apply to any of the following:

- Any ProSeries Junior LED Luminaire that has been incorrectly installed by drilling holes, puncturing, piercing or any other means that will alter the product's integrity.
- Damage caused by the use of parts, components, and/or other equipment(s) that is not compatible, suitable, or unauthorized by EPCO for use with the ProSeries Junior LED Luminaire.
- Damage resulting from use of the ProSeries Junior LED Luminaire in what EPCO, at its sole discretion, considers extreme applications.
- Product damage as determined by EPCO to be caused by a crash, impact, or obvious signs of abuse to the ProSeries Junior LED Luminaire.
- There are "absolutely" no charge-backs for any labor required to remove, re-install, or re-power the ProSeries Junior LED Luminaire.

UNITS OF MEASURE KEY

Order Unit: The Unit to be ordered; **Order Qty:** Number of pieces in each Unit; **Unit Pkg:** Packaging types - BG (Bag), BX (Box), BRL (Barrel); **Units/Case:** Unit packages contained in the Case; **TL Case Qty:** The total number of items in each Master Case; **Min Order Qty:** The smallest Unit that can be ordered; **MM Req:** Must order multiples of the Unit in the stated quantities; **Ship Wt (Lbs):** Total weight of the units per Carton

E02-150-021 B1 (07/18 - SP)
© 2018 Engineered Products Company. All Rights Reserved.

www.engproducts.com

5401 SMETANA DRIVE | MINNETONKA, MN 55343

P 800.336.1976 | F 800.336.2801

Specifications subject to change without prior notice.



**ENGINEERED
PRODUCTS CO.**