



Main

Product or component type	Dry Sealed Transformer
Primary Voltage	240 x 480 V
Full Capacity Taps	0
Secondary Voltage	120/240 V

Complementary

Enclosure Code	7A
Phase	1 phase
Primary to Secondary Voltage	240 x 480 V 120/240 V
Power Rating	1 kVA
Temperature rise	115 °C
Maximum Height	8.13 in (206.50 mm)
Maximum Width	6.94 in (176.28 mm)
Maximum Depth	5.31 in (134.87 mm)
Net Weight	21.2 Lb(US) (9.62 kg) 21.21 Lb(US) (9.62 kg)
Enclosure mounting	Wall mounted
Enclosure material	Painted sheet steel

Environment

Enclosure Type	NEMA 3R
Insulation temperature	356 °F (180 °C)
Product certifications	UL Listed CULus CSA

Ordering and shipping details

Category	16277 - RESIN LVGP XFMR
Discount Schedule	PE2
GTIN	00785901019862
Nbr. of units in pkg.	1
Package weight(Lbs)	24.77 Lb(US) (11.24 kg)
Returnability	Yes
Country of origin	MX

Packing Units

Package 1 Height	10.30 in (26.162 cm)
Package 1 width	11.40 in (28.956 cm)
Package 1 Length	12.30 in (31.242 cm)

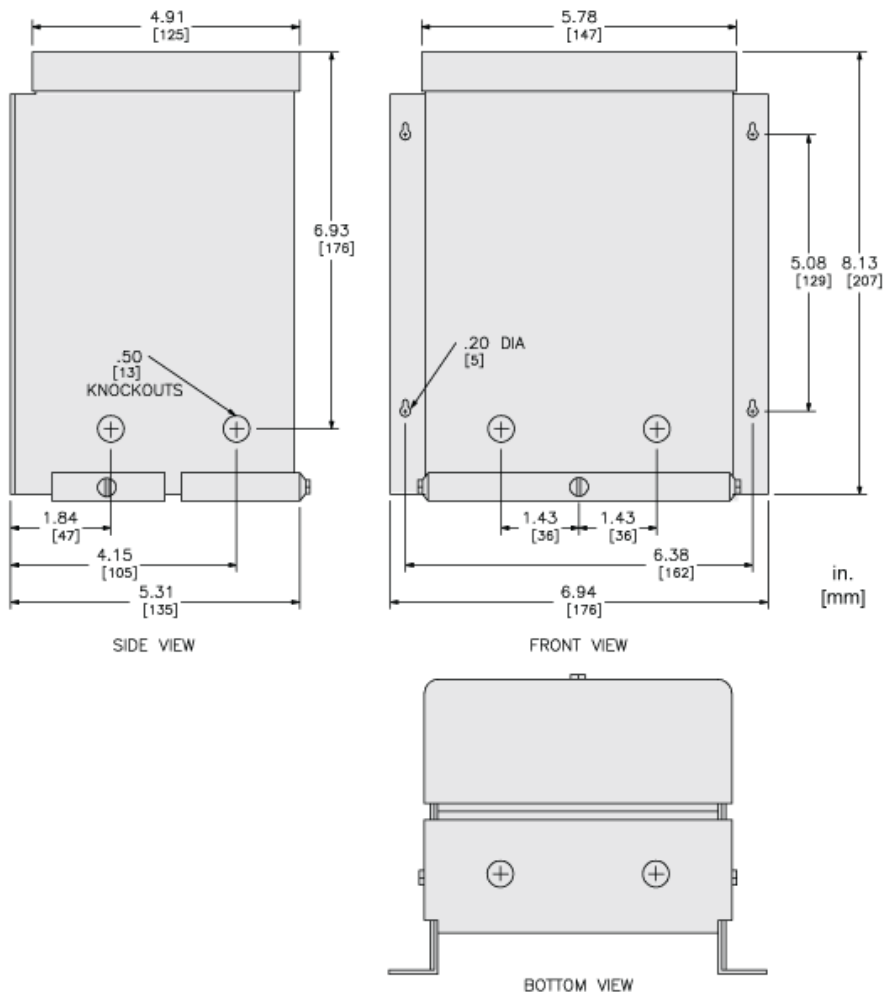
Offer Sustainability

Sustainable offer status	Green Premium product
REACH Regulation	REACH Declaration
REACH free of SVHC	Yes
EU RoHS Directive	Compliant EU RoHS Declaration
Toxic heavy metal free	Yes
Mercury free	Yes
RoHS exemption information	Yes
China RoHS Regulation	China RoHS Declaration
Environmental Disclosure	Product Environmental Profile
PVC free	Yes

Contractual warranty

Warranty	18 months
----------	-----------

Approximate Dimensions



Connections and Wiring Diagrams

