

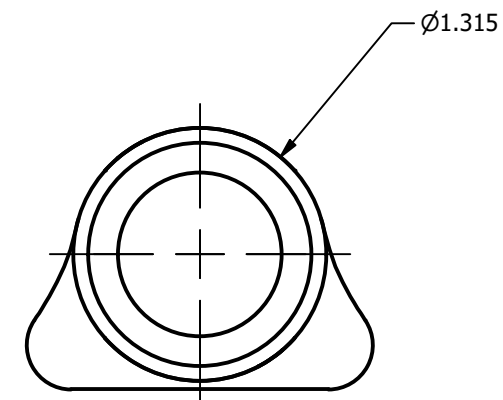
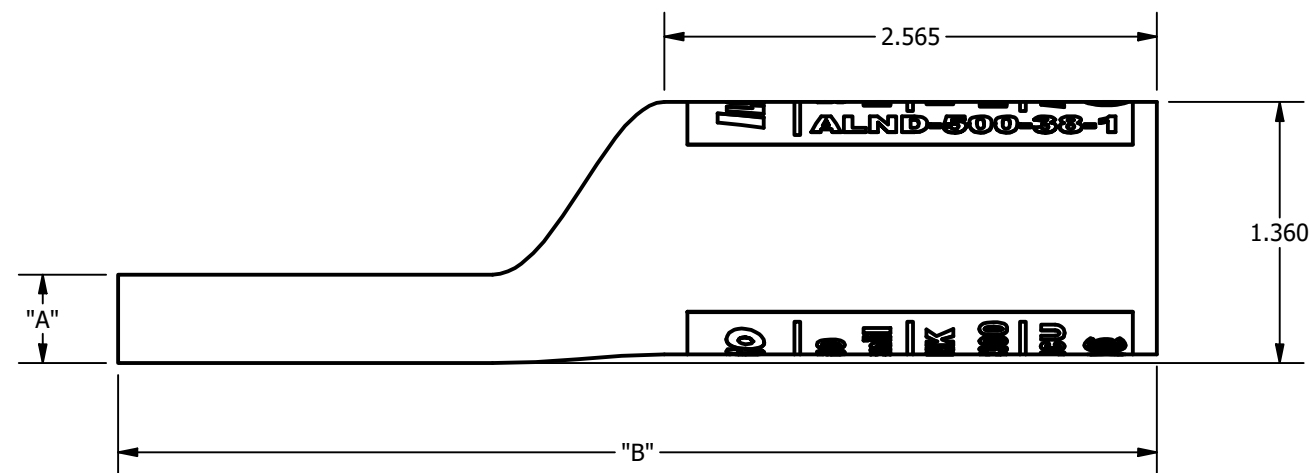
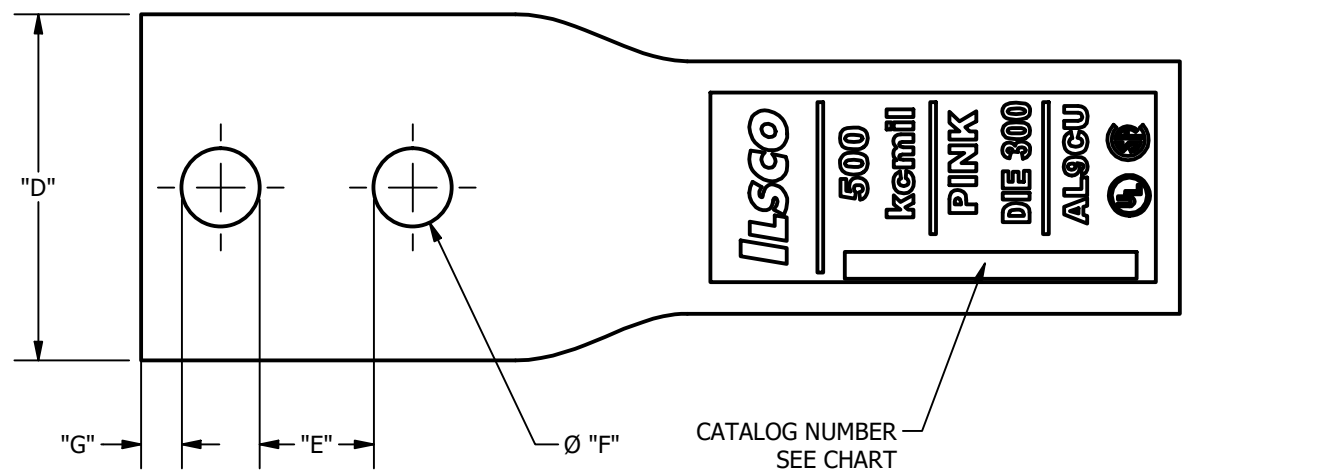
SCREW: NONE
 CAT. NO.: SEE CHART
 INFORMATION SHEET: FORM 196

MATERIAL: ALUMINUM
 PLATING: EL-TIN
 MARKING: NO TANG MARKING

REV: T
 DRAWN BY: MJK SCALE: NTS
 DATE: 6/13/2013 SIZE: B

ILSCO
 connections
 matter
 800-776-9775 www.ilSCO.com

DWG NO: YA1503, YAN1503 Double
 SHEET: 1 OF 1



CATALOG NUMBER	"A"	"B"	"D"	"E"	"F"	"G"
ALND-500-38-1	0.461	5.410	1.802	0.594	0.406	.211
ALNN-500-38-1	0.480	5.430	1.285	0.594	0.406	.211
ALND-500-12-1	0.461	5.590	1.802	0.438	0.562	.265
ALNN-500-12-1	0.480	5.602	1.285	0.438	0.562	.265
ALND-500-38-134	0.461	6.075	1.802	1.344	0.406	.211
ALNN-500-38-134	0.480	6.126	1.285	1.344	0.406	.211
ALND-500-12-134	0.461	6.450	1.802	1.188	0.562	.265
ALNN-500-12-134	0.480	6.510	1.285	1.188	0.562	.265