

SIDEFLASH™

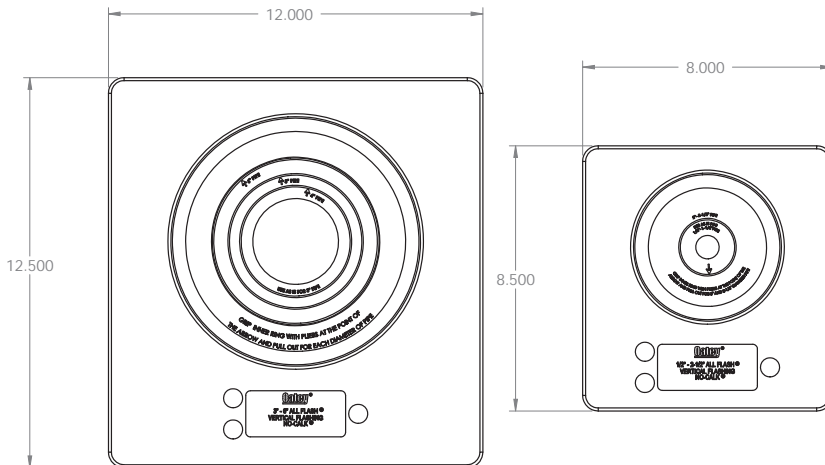
SideFlash is designed to seal around piping penetrations through outside walls. The product features a hard plastic panel with an elastomeric collar that seals around the pipe. It is designed to be installed under the house wrap or building paper to become part of the building envelope.



SIDEFLASH INSTALLS QUICKLY AND MAKES A CLEAN APPEARANCE.

SideFlash™

Product Number	Description	Carton Quantity
G12805	½" - 2 ½" SideFlash	12
G12806	3" - 6" SideFlash	12



Dimensions in inches.

G12806

G12805

Efficient

The tear out collar enables just two products to fit pipes from ½" to 6".

Faster, less expensive, and longer lasting than caulking/foam.

Effective

Prevents moisture from intruding to limit mold growth.

Seals against air penetration to reduce energy costs.

Won't fade, crack or rust.

Prevents bugs and vermin from entering the home.

Rated to 180° F.

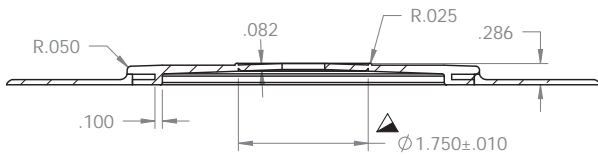
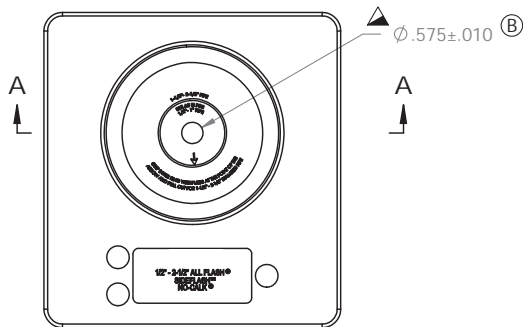
DISTRIBUTED BY:

MORRIS Products
 53 Carey Rd
 Queensbury, NY 12804
 888-777-6678
www.morrisproducts.com

This information is based on data believed to be reliable but makes no warranties, express or implied, as to its accuracy and assumes no liability arising out of its use. The data listed falls within the normal range of product properties but should not be used to establish specification limits or used alone as the basis of design. Liability to purchasers is expressly limited to the terms and conditions of sale.


ITEM NO.	PART NUMBER	DESCRIPTION	QTY.
1		8.0"x8.5" FLASHING BASE	1
2		1/2" TO 2-1/2" NO-CALK COLLAR	1
3		LBL: 1/2" TO 2 1/2" SIDEFLASH	0.0833
4		CTN: RSC 8 3/4" X 8 1/4" X 2 1/2"	0.0833
5		LBL: 1/2" TO 2-1/2" SIDEFLASH VERT. FLASHING	1

REV.	DCR/PCR/ECN	DESCRIPTION	DATE	APPROVED
A	0000473 - PCR	INITIAL RELEASE	12/8/2010	RPS
B	0000512 - PCR	REDUCED ID TO .575" WAS .750". CARTON HEIGHT REVISED.	3/31/2011	RPS



SECTION A-A
SCALE 1 : 2

NOTES:

- MATERIAL: 90128-7000537 AND 90134-7000538
- SURFACES TO BE FREE OF PETROLEUM PRODUCTS
- SURFACE FINISH MUST BE FREE OF FLOW LINES AND BLEMISHES
- MAXIMUM REGRIND: 25%
- TEXTURE (NOT SHOWN, ADDITIVE TO WALL THICKNESS SHOWN) ENTIRE OUTER SURFACE OF PART WHERE INDICATED, TEXTURE SPEC: MT 11365 (MATTE FINISH)
- GRAPHICS TO BE AS SHOWN, EMBOSSED .010"-.020" HIGH
- MAXIMUM FLASH PERMISSIBLE .015"
-  (PROFILE TOLERANCE) 0.050" UNLESS OTHERWISE SPECIFIED
- NO GAPS PERMISSABLE BETWEEN COLLAR AND BASE MATERIALS
- UPC: 038753128054
- IS OF 5: 50038753128059

Morris Products Inc.

53 Carey Rd.

Queensbury, NY 12804



12805

CRITICAL DIMENSION FOR INSPECTION		THIRD ANGLE PROJECTION DRAWING INTERPRETATION USING ASME Y14.5M		DESCRIPTION	
MATERIAL	VOLUME	MODELED BY	DATE	1/2" to 2-1/2" Vertical Flashing	
N.A.	cu. in.	??	12/8/2010		
MOLD NO.		DRAWN BY		SCALE 1:4	
N.A.		--	12/8/2010		
UNLESS OTHERWISE SPECIFIED, DIMENSIONS ARE IN INCHES.		CHECKED BY	xx/xx/xx	SHEET 1 OF 2	
TOLERANCES:		SIZE	REV.		
FRACTIONS	DECIMALS	ANGLES		PART NO. G12805	
± 1/4	.XX ± .01	± 1°	A B		
	.XXX ± .005				