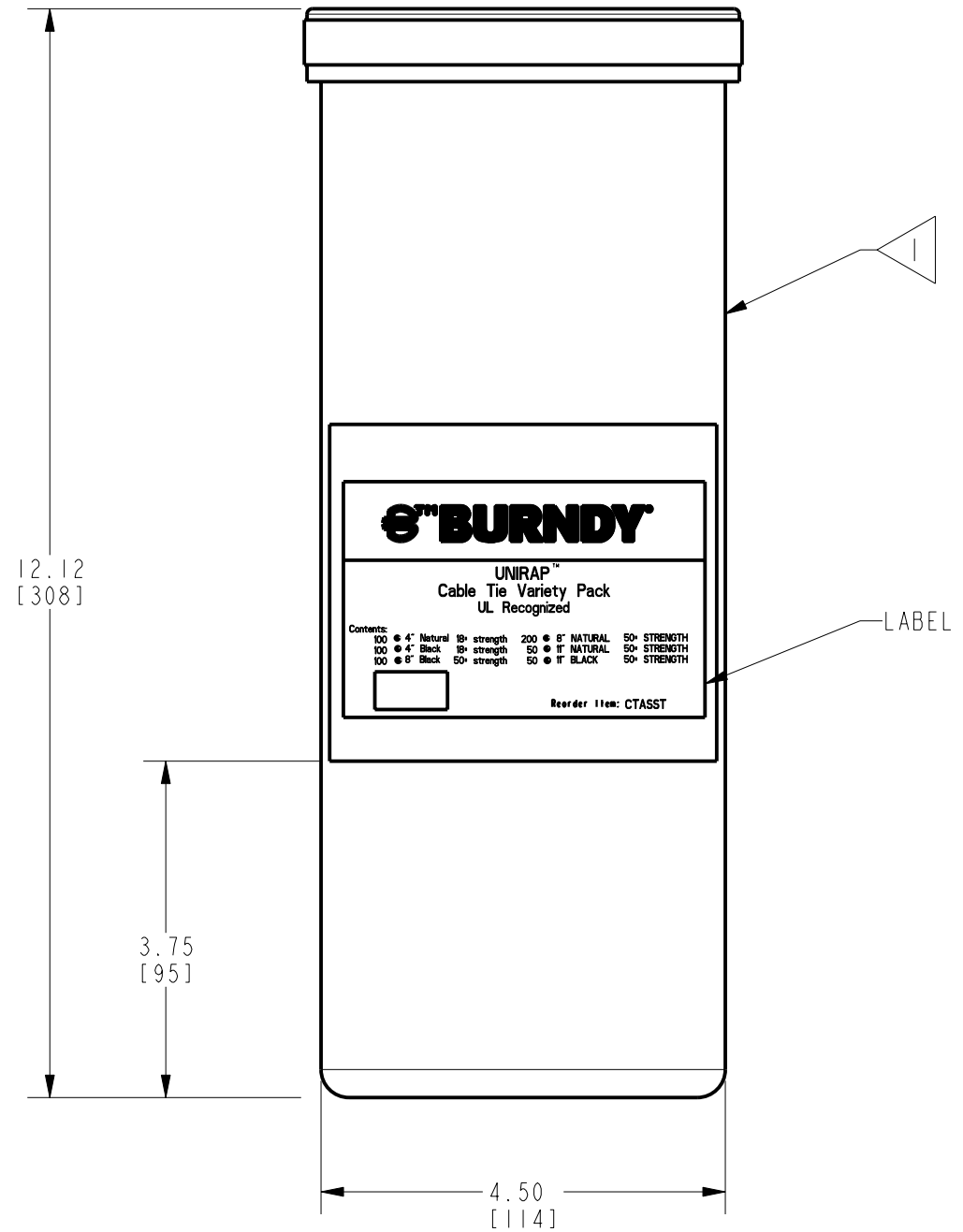


CATALOG NUMBER	ITEM NUMBER	DESCRIPTION	QTY	TENSILE STRENGTH	LENGTH	WIDTH
CT18075CUG	10089808	4" NATURAL	100	18 LBS	100mm	2.5mm
CT18075C0UG	10089809	4" BLACK	100	18 LBS	100mm	2.5mm
CT50175CUG	10089814	8" NATURAL	200	50 LBS	203mm	3.2mm
CT50175C0UG	10089829	8" BLACK	100	50 LBS	203mm	3.2mm
CT50300CUG	10089817	11" NATURAL	50	50 LBS	280mm	4.8mm
CT50300C0UG	10089831	11" BLACK	50	50 LBS	280mm	4.8mm

REV.	DATE	DESCRIPTION	ECO	BY	C.H.K.
A	04/22/2013 00:00:00 AM	CREATE SALES DRAWING	31391	MS	MB



NOTES:

- 1 ONE CANISTER APPROXIMATELY 4.5" IN DIAMETER AND 12" IN HEIGHT, CANISTER TO BE TRANSPARENT AND HAVE A RED SCREW ON CAP.
- 2 ALL UNITRAP'S LISTED IN THE TABLE ABOVE.
- 3 DIMENSIONS IN BRACKETS [] ARE IN MILLIMETERS ROUNDED OFF TO THE NEAREST MILLIMETER, UNLESS OTHERWISE NOTED, AND ARE FOR REFERENCE ONLY.

TO ORDER BURNDY® PRODUCTS CALL		UNIRAP™ CANISTER VARIETY PACK	
UNITED STATES:		ITEM NO: 10099083	
1-800-346-4175 (LONDONDERRY, NH)		CAT. NO: CTASST	
CANADA:		DRAWN BY: SAKHTI M 04/22/2013	
1-800-361-6975 (QUEBEC)		CHECKER: A MONTMINY 06/21/2013	
1-800-387-6487 (ALL OTHER PROVINCES)		DSN APPVL: K BOUTIN 06/21/2013	
FOR PRODUCT INFO: http://www.burndy.com		MFG APPVL: --	
		QA APPVL: --	
		MKT APPVL: R CAVANAUGH 06/21/2013	
		SCALE: 1:1	
		PROD FAM: --	
		PROJECT #: --	
		DRAWING NO	
		50015724	
		REV	
		A	
		SHEET 1 OF 1	

REV: PE0200