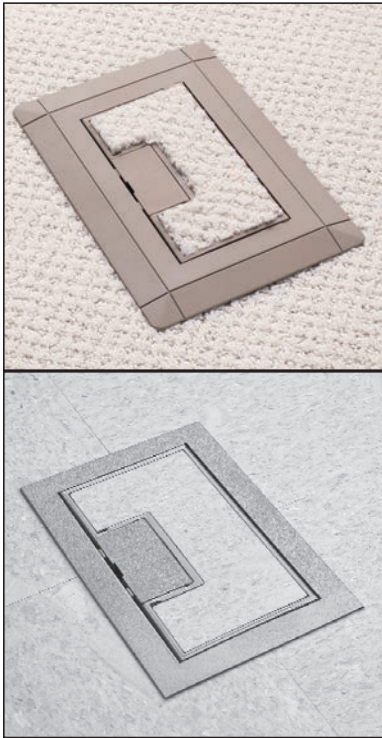


Rectangular Floor Box Covers Nonmetallic

1-, 2- and 3-Gang



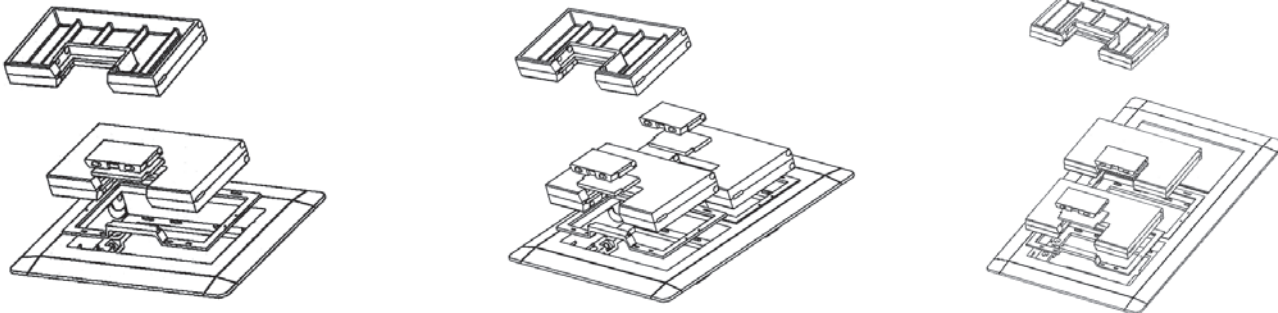
Features

- High impact resistant thermoplastic
- Field reversible for tile or carpet
- Gasketed for a watertight seal
- Double door design
- For tile and carpet applications
- Scrub water tested

On-the-job flexibility extends to our rectangular box covers. Each one-, two or three-gang cover is suitable for any wiring application and can be used with **any floor surface**. Nonmetallic covers are even field reversible for tile or carpet. Double door feature allows easy access to the device and helps keep stray cords organized.

Carlton® Rectangular Floor box covers do not require a separate carpet flange. The carpet flange is part of the cover and may be removed for tile application.

Specifications



Cat. No.	Number of gangs	Colour	Carpet Flange	Dimensions (W x L) (in.)	Std. Ctn. Qty.	Std. Ctn. Wt. (lb.)
E9761B	1	Brown	Included	7.13 x 5.00	3	1.7
E9762B	2			7.13 x 8.25	9	8.5
E9763B	3			7.13 x 11.50	6	7.5
E9761C	1	Caramel		7.13 x 5.00	3	1.7
E9762C	2			7.13 x 8.25	9	8.5
E9763C	3			7.13 x 11.50	6	7.5
E9761S	1	Slate		7.13 x 5.00	3	1.7
E9762S	2			7.13 x 8.25	9	8.5
E9763S	3			7.13 x 11.50	6	7.5