


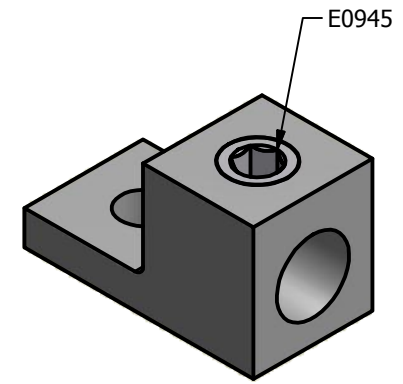
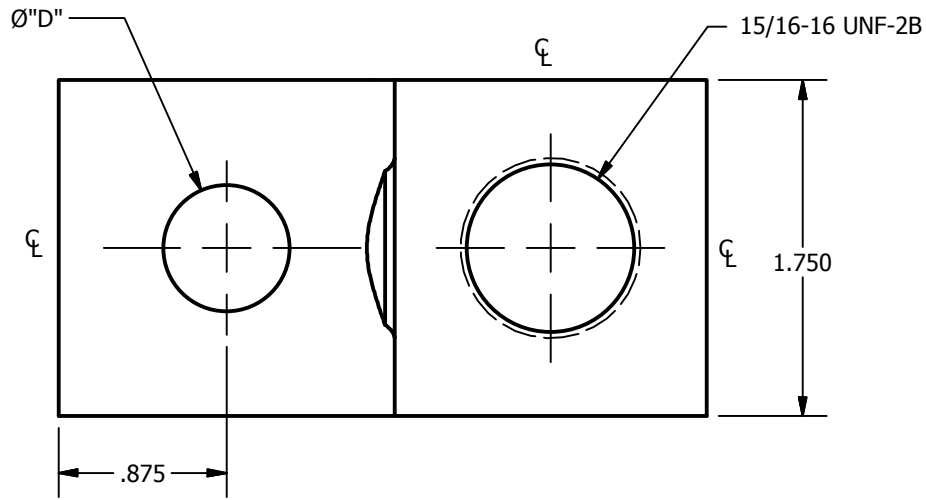
SCREW: E0945
 CAT. NO.: TA-800
 INFORMATION SHEET: FORM 1

MATERIAL: ALUMINUM
 PLATING: EL-TIN
 MARKING: ILSCO, D1794, TA-800, 800-300MCM, AL9CU,


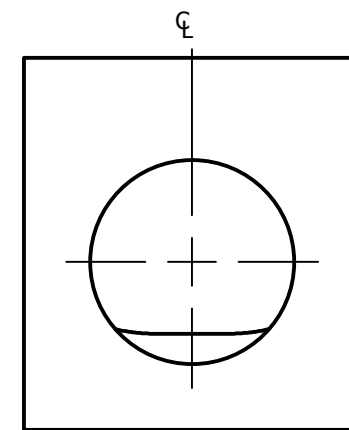
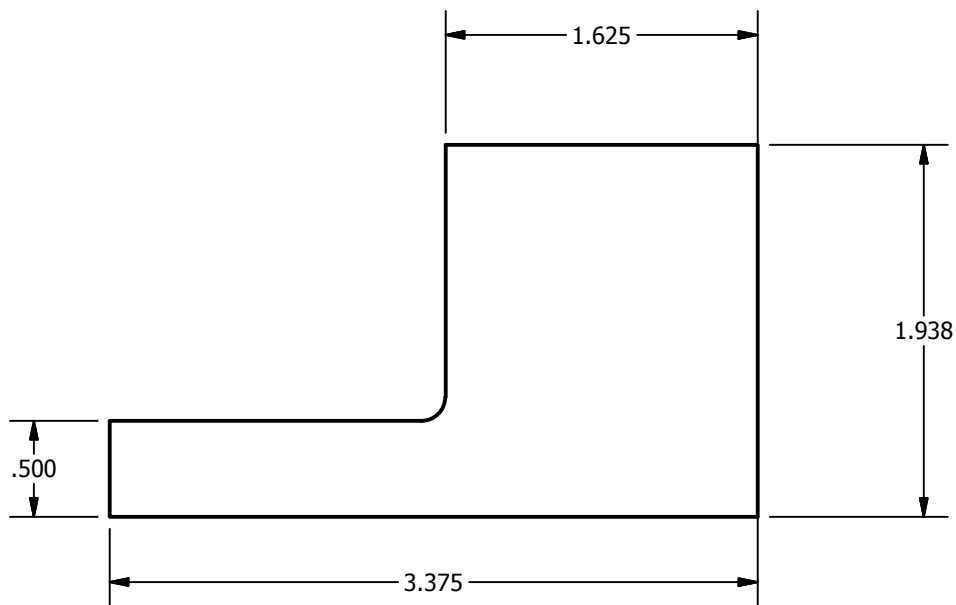
REV: Y
 DRAWN BY: NN
 DATE: 12/12/2007

SCALE: 1/2
 SIZE: A

ILSCO
connections matter
 800-776-9775 www.ilsco.com
 DWG. NO. **D1794**
 SHEET: 1 OF 1



SCALE 1 / 2



DIA. "D"
.656
.531