



|                          |       |
|--------------------------|-------|
| CATALOG NUMBER: 500-060G |       |
| JOB NAME:                |       |
| CUSTOMER NAME:           |       |
| NOTES:                   | TYPE: |
|                          | DATE: |

**FEATURES AND SPECIFICATIONS**

**SITE LIGHTING**  
**ACCESSORIES**  
**SIDE MOUNT FLOOD LIGHTING BRACKET**

**Construction:**  
Steel

**Mounting:**  
Wall

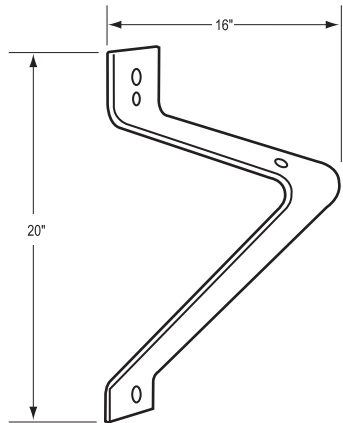
**Specifications:**  
Overall height: 20" (50.80 cm)  
Depth: 16" (40.64 cm)



**ORDERING INFORMATION**

| CATALOG # | DESCRIPTION        | FINISH     | STD. PKG. |
|-----------|--------------------|------------|-----------|
| 500-060G  | Side Angle Bracket | Galvanized | 1         |

**DIMENSIONS**



Actual performance can vary depending on operating conditions. Specifications are subject to change without notice.