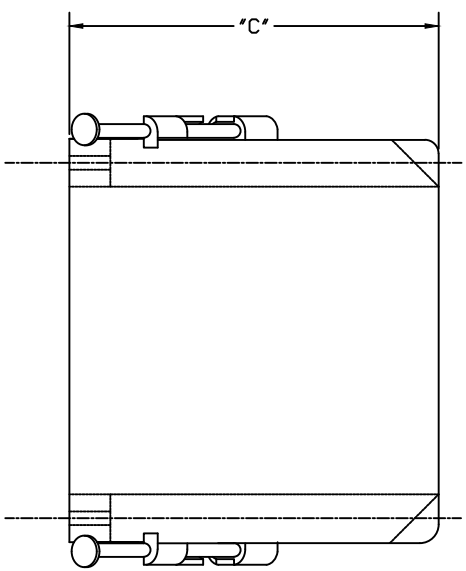
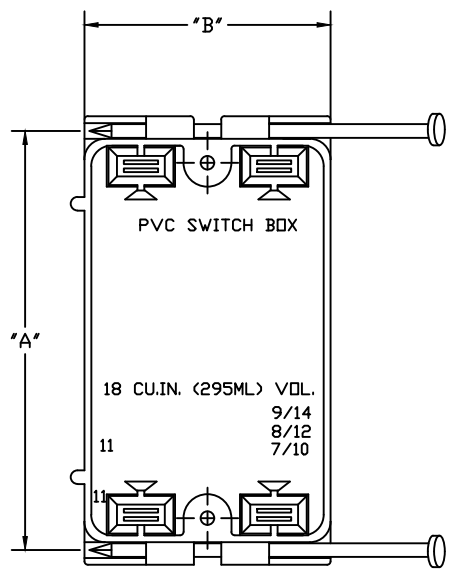
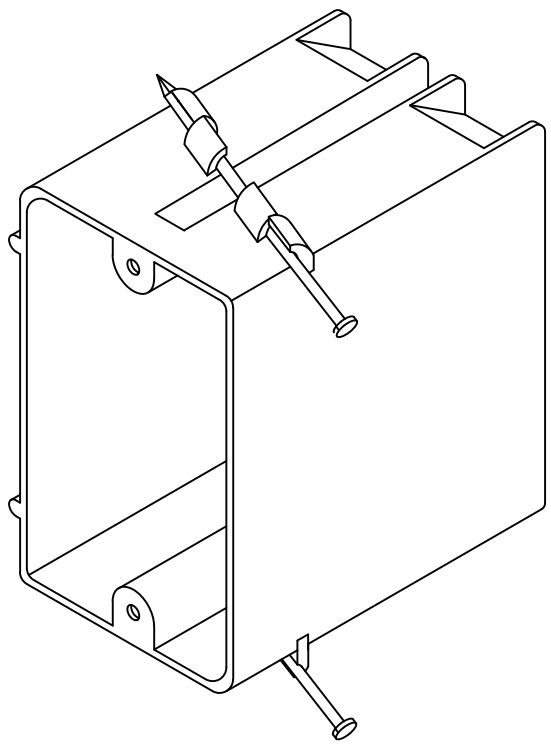


PART NUMBER	SIZE	"A"	"B"	"C"
EZ18SNW	2 1/4" X 3 5/8" X 3" four knockouts Enhanced angled nails for quick mounting between studs	3 5/8"	2 1/4"	3"



ETL Listed
 Conforms to UL Std. 514C
 2-HR Fire Wall Rating
 ETL Control # 3107144
 Suitable for Masonry Walls
 Material is Rigid PVC

NOTE: When using this box, the cable must be fastened to the structure within 8 inches (200 mm) of the box as measured along the sheath to comply with the Exception to 314.17(C) of the National Electrical Code, NFPA 70



CANTEX INC. Fort Worth, TEXAS		
Single Gang EZ Box 18 Cubic Inch, Nail On, with Knock outs		
Drawn By: D. Gwinn	Date: 9/16/20	Ref. EZ18SNW