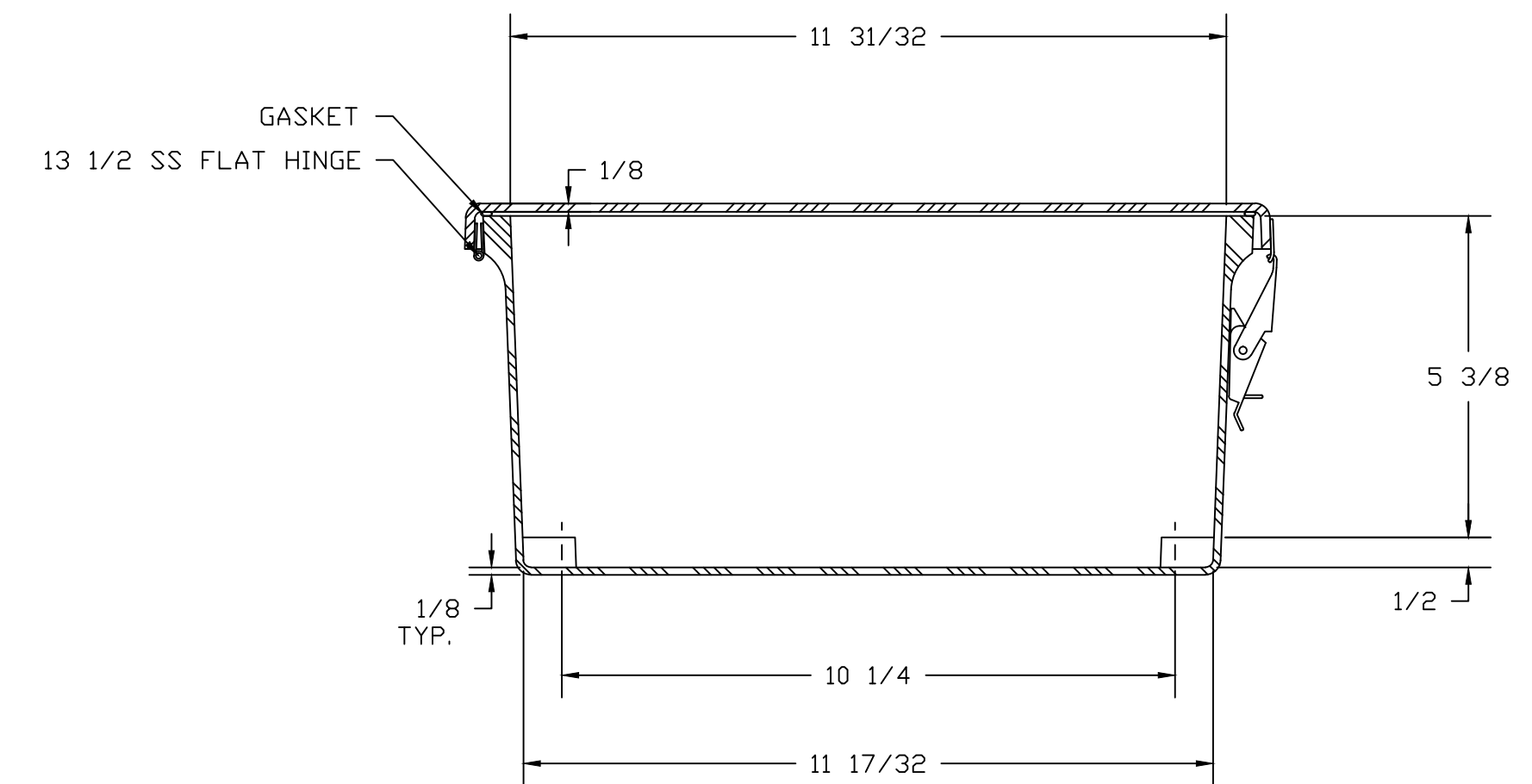
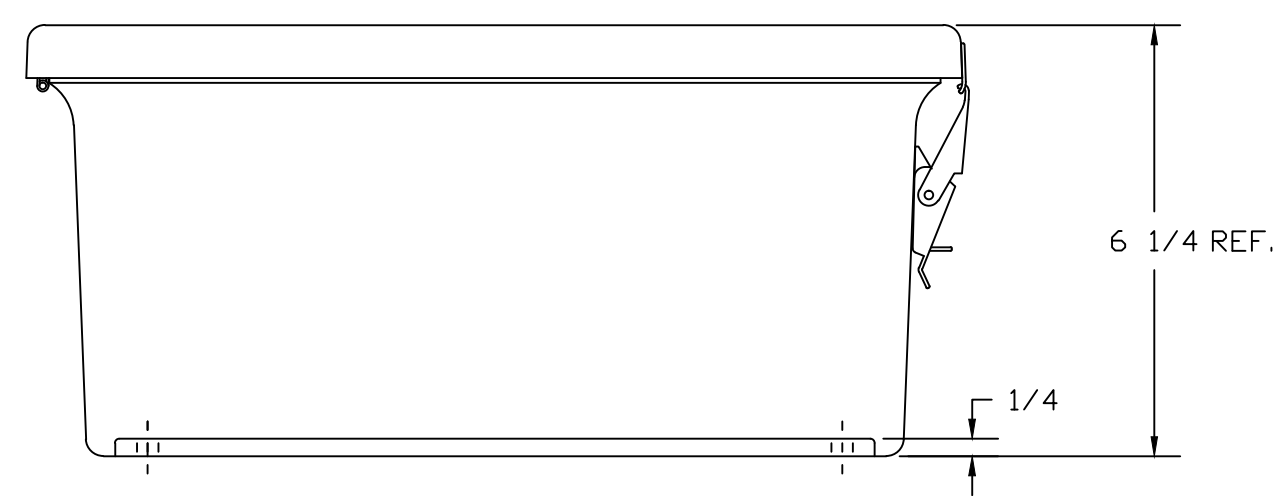


SECTION B-B



SECTION A-A

NOTES:

NEMA 4X		TOLERANCES UNLESS SPECIFIED		DECIMAL ± .010	FRACTIONAL ± 1/32
COLOR: GLACIER GRAY RR3013					
MATERIAL	F.R. POLYESTER FIBERGLASS	DR. BY	SH	DATE	5/13/91
LET.	REVISION RECD	DATE	BY	CHD.	
		CHK. BY		DATE	
		APD. BY		DATE	
		SCALE	DO NOT SCALE	PART NAME	ENCLOSURE
		CUSTOMER		PART NO.	J1412HPL
		STAHLIN ENCLOSURES DIVISION OF KOBOLD INDUSTRIES		BELDING, MICHIGAN 48809	
				AutoCAD DWG. FILE	