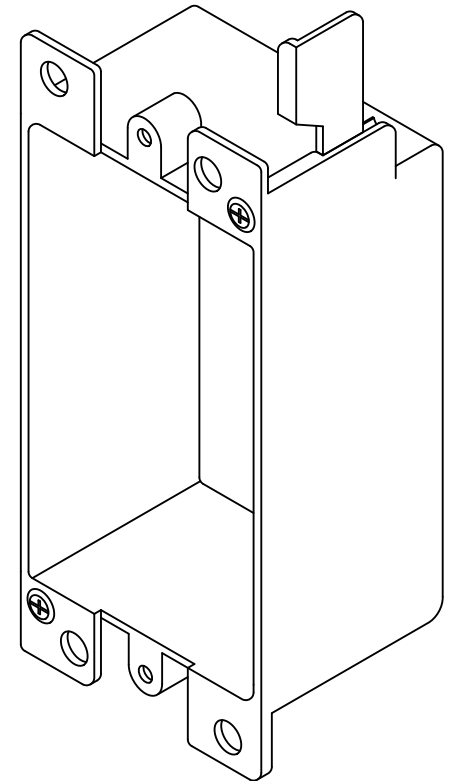
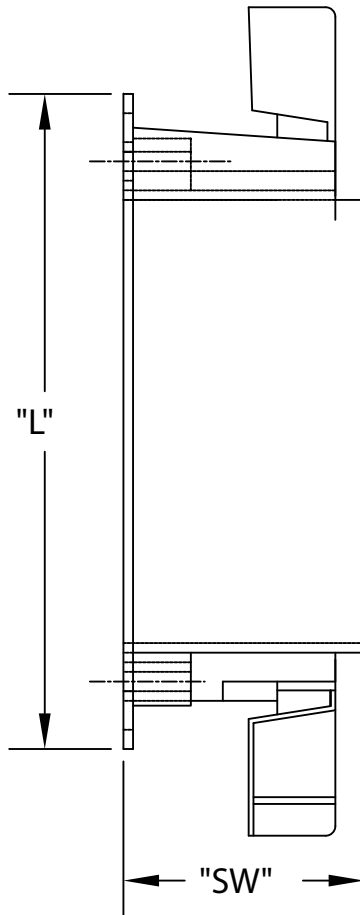
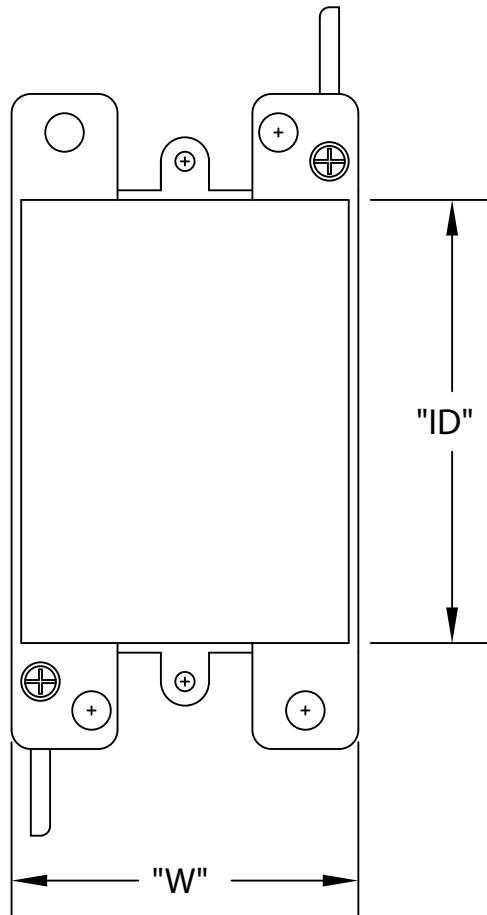


PART NUMBER	SIZE	"L"	"W"	"SW"	"ID"
EZ14SO	2 ¼" x 3" x 2 7/8"	4 1/8 "	2 ¼ "	1 1/16 "	2 7/8"



UL Listed  
 UL File # E98429 & R18795  
 UL Category Codes QCMZ, QBWY, CEYY  
 UL Control Number 39N9  
 Material is Rigid PVC  
 See NEC Article 314 for use  
 Maximum fixture weight 6 lbs.  
 2 Hour Wall Fire Rated



**CANTEX**  
 INC.  
 Fort Worth, TEXAS

Single Gang EZ 14 cubic inch  
 Old Work Switch/Outlet Box

Drawn By: CD Branch

Date: 09/25/07

Ref.