
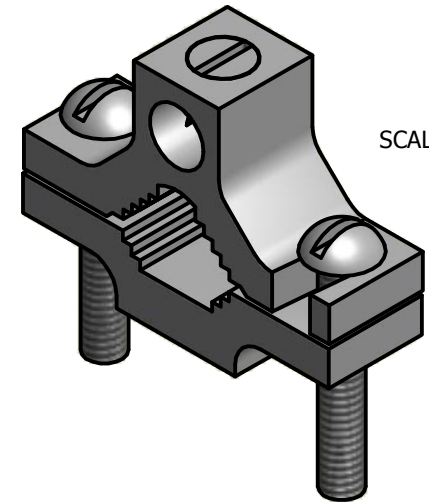
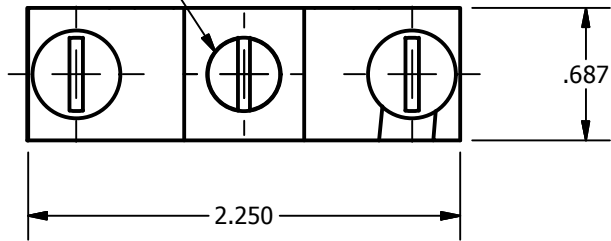


SCREW: E0773, E0875	MATERIAL: NONE	REV: H	 800-776-9775 www.ilSCO.com		
CAT. NO.: AGC-1	PLATING: NONE	DRAWN BY: CLH			SCALE: 1:1
INFORMATION SHEET: FORM 1	MARKING: NONE	DATE: 8/6/2008			SIZE: A
			DWG. NO. <b>M2158</b>		
			SHEET: 1 OF 1		

E0773 SCREW  
(1) PLACE



SCALE 1 : 1

G0700  
(1) PLACE

E0875 SCREW  
(2) PLACES

G0701  
(1) PLACE

