



PART No. CWST660NK

for more information visit

www.hammfg.com

Data subject to change without notice

Isometric drawing Not to Scale



TOP VIEW



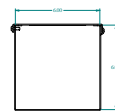
FRONT VIEW



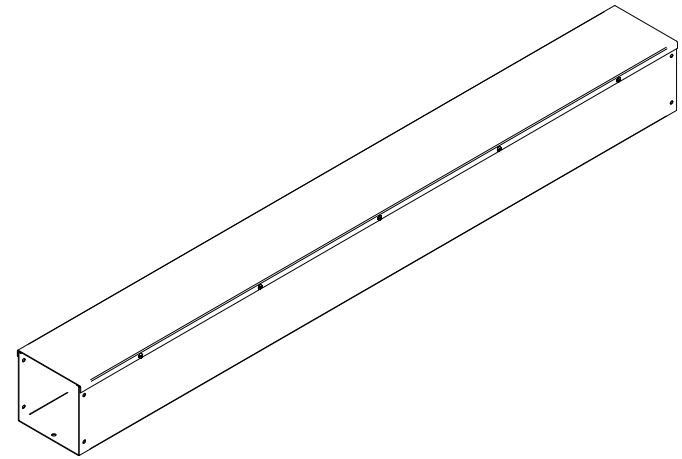
BOTTOM VIEW



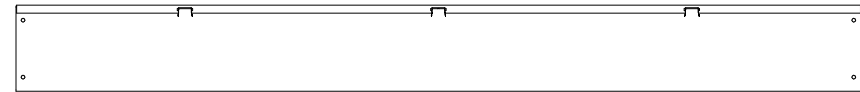
SIDE VIEW



SIDE VIEW



ISOMETRIC VIEW



BACK VIEW