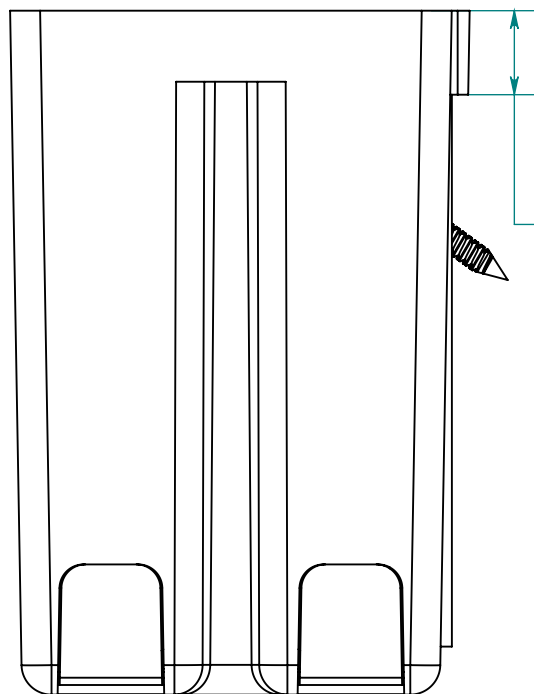


#6-32 MOLDED SPLINE HOLES



7/16" [11.1] OFFSET RIB

1 3/8" [34.9] MAX SUBSTRATE OFFSET

- NOTES:**
- 1.) BOX MATERIAL: PVC, SLIDER PLATE MATERIAL: PC, SCREW MATERIAL: PLATED CARBON STEEL
  - 2.) UL LISTED WITH 2 HOUR FIRE RATING FOR WALL AND CEILING
  - 3.) ONE 1/2" NM KNOCKOUT



PRODUCT SERIES  
ADJUSTABLE SINGLE GANG 23.0 CU.IN.

Part No.  
**SB-1**

**CONFIDENTIAL**  
THIS MATERIAL IS OWNED BY THE ALLIED MOULDED PRODUCTS COMPANY, IS DISCLOSED IN CONFIDENCE, AND IS NOT TO BE REPRODUCED OR DISTRIBUTED WITHOUT PRIOR WRITTEN PERMISSION FROM ALLIED MOULDED PRODUCTS.