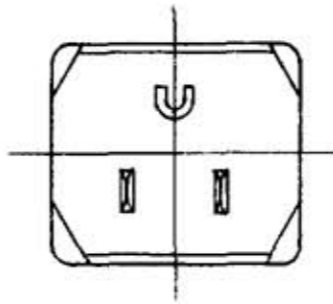
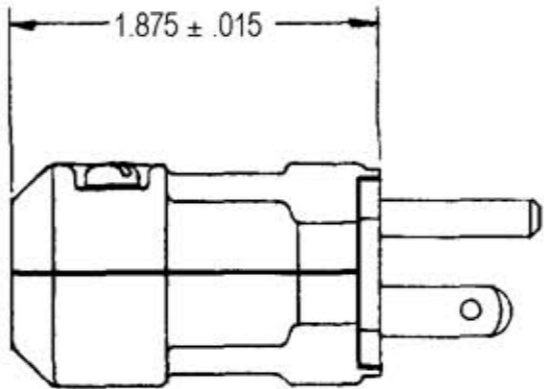
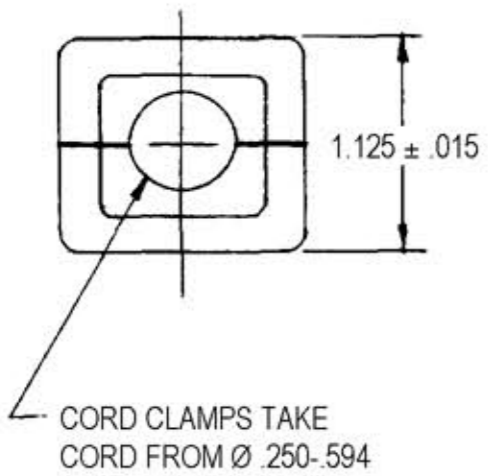
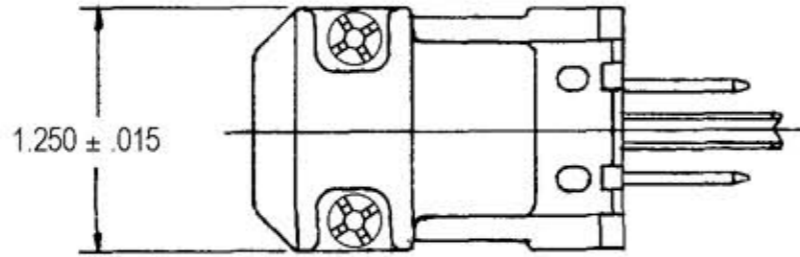


M-5888 2



*** NOTE:**
ON "CM" DEVICES STEEL PARTS ARE MADE OF BRASS OR STAINLESS STEEL AND ALL BRASS PARTS ARE .0003 NICKEL PLATED.

CATALOG NO.	COLOR
HBL5965VY	YELLOW
HBL5965VBLK	BLACK
HBL5965VGY	GRAY
HBL52CM66V *	YELLOW

DESCRIPTION	MATERIAL	FINISH
HOUSING	NYLON	SEE TABLE
CONTACT BLADE	BRASS	1-WHITE
BINDING HEADSCREW	BRASS	1-WHITE
GR. CONTACT BLADE	BRASS	
HEX. HD. BIND. SCREW	BRASS	GREEN
CORD CLAMP SCR.	STEEL	ZINC PL.

SYM	REVISIONS	APP	DATE
2	CONVERTED ALL DIMS TO 3 PL DECIMAL, REVD VIEW TO SHOW TRI-DRIVE SCREWS, ADDED HBL PREFIX TO CAT NO'S PER DCN #7773. AMZ DB		7-6-00
1	ADDED TABLE TO INCLUDE ALL CATALOG NO'S. AV		5-20-91

TITLE
15A. 125V. 3-WIRE DEAD FRONT
VALISE PLUG

TOLERANCES UNLESS OTHERWISE SPECIFIED FRACTIONS ± 1/64 DECIMALS ± .005 ANGLES ± 2°	HARVEY HUBBELL, INC.	
	BRIDGEPORT, CONN.	
	DR. BY <u>A.J.L.</u>	APP. BY _____
	TR. BY _____	SCALE <u>FULL</u>
	CHK'D. BY _____	DATE <u>4-19-76</u>

DIMENSION SHEET FOR CAT. NO. SEE TABLE
 REPAIRABLE NON-REPAIRABLE
B
M-5888
2