

THIS DRAWING IS THE SOLE AND EXCLUSIVE PROPERTY OF ROBROY ENCLOSURES. NO PART OF THIS DRAWING MAY BE REPRODUCED, DISTRIBUTED, OR PUBLICALLY DISPLAYED IN ANY FORM OR BY ANY MEANS WITHOUT THE EXPRESS WRITTEN PERMISSION OF ROBROY ENCLOSURES. ALL RIGHTS RESERVED. UNDER THE COPYRIGHT LAWS. COPYRIGHT © 2018 ROBROY ENCLOSURES.

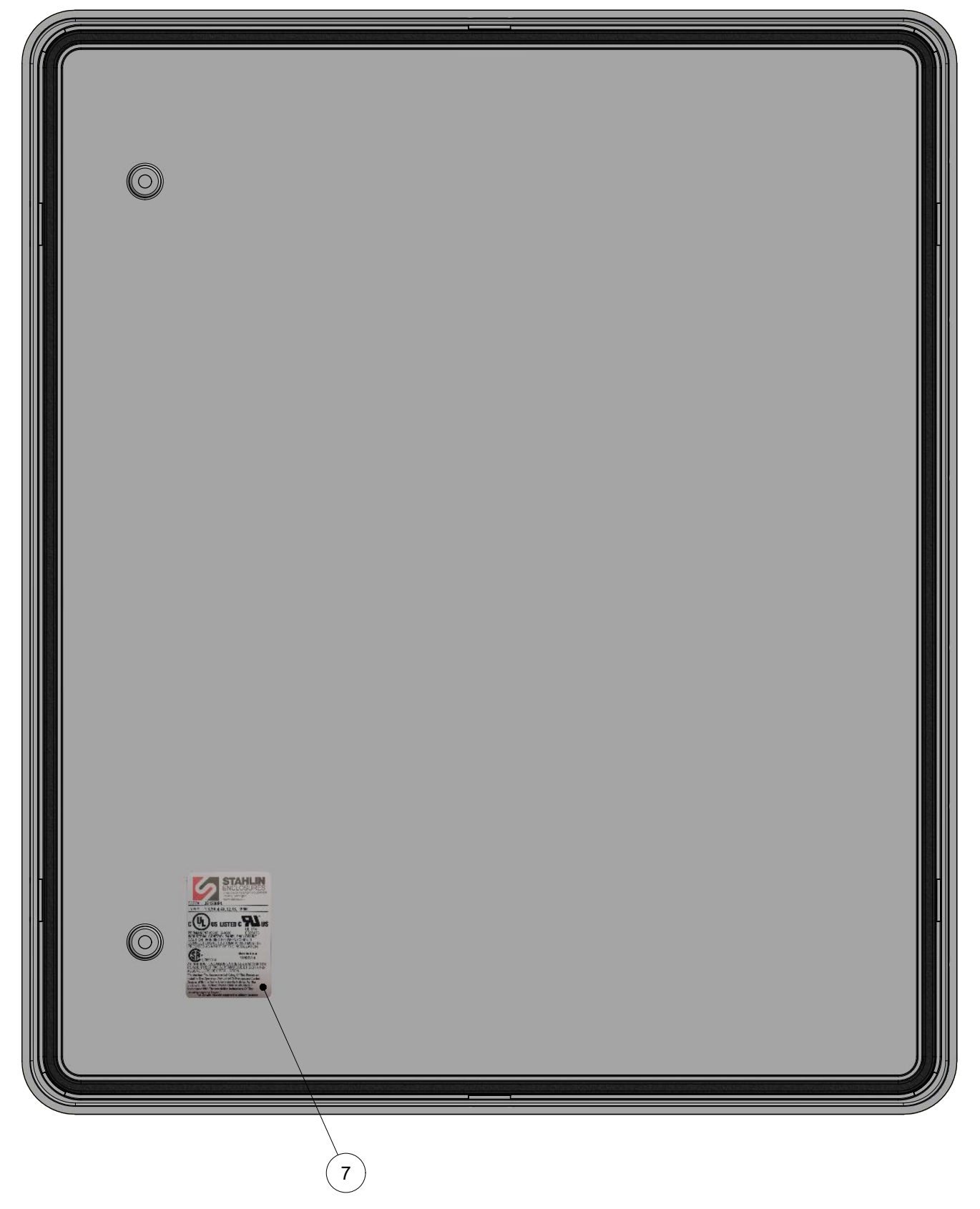
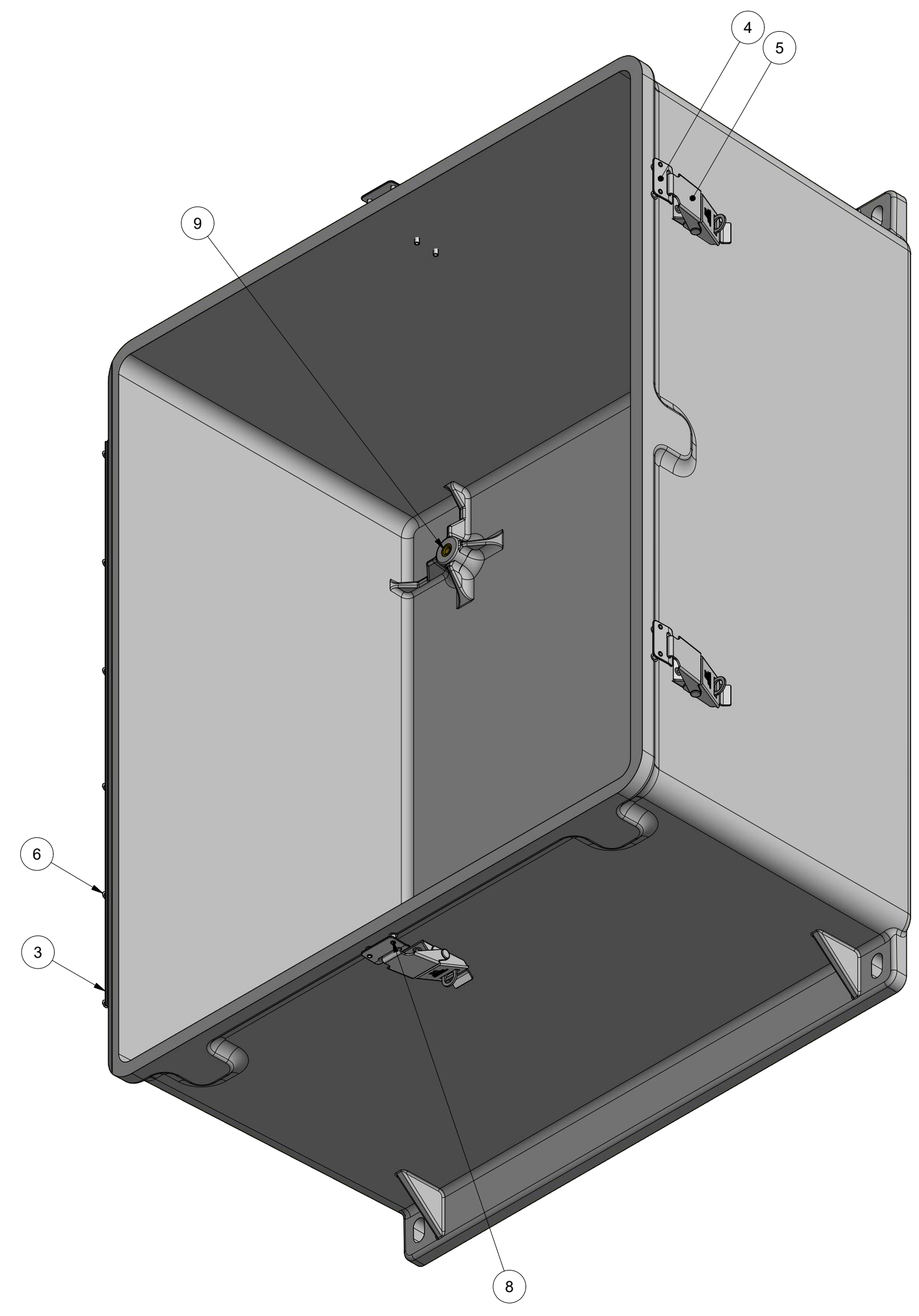
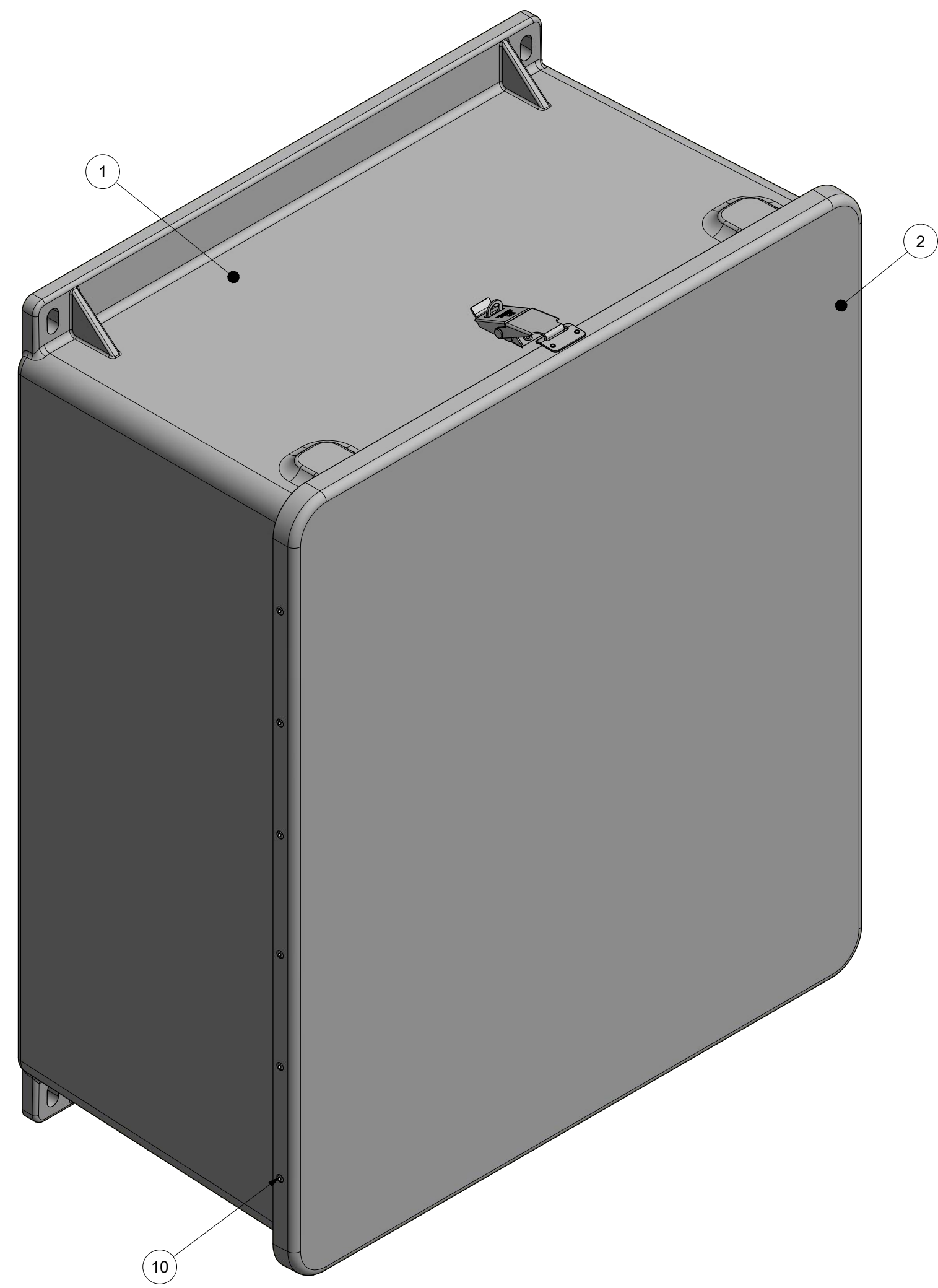
SPECIAL REQUIREMENTS

NEMA 250: TYPE 1, 3, 3R, 4, 4X, 12, 13 IEC 60529: IP66 COLOR: GLACIER GRAY (WPR313) COLOR STANDARD: PANTONE 428 C		STANDARD P/N: J2420HPL CUSTOMER DWG: N/A	ALL DIMENSIONS ARE IN INCHES UNLESS OTHERWISE SPECIFIED	TOLERANCES UNLESS SPECIFIED	.XX ± 0.03 .XXX ± 0.010
MATERIAL: FIBERGLASS REINFORCED POLYESTER (FRP)					
REVISION HISTORY					
REV	DESCRIPTION	DATE	ENG		
-	-	-	-		
-	-	-	-		
-	-	-	-		
-	-	-	-		
-	-	-	-		
-	-	-	-		
-	-	-	-		

STAHLIN
www.stahlin.com

Robroy Enclosures
500 Maple Street
Belding, Michigan 48809
Phone: 616-794-0700
Fax: 616-749-3378

DRAWN BY: AA	DATE: 7/17/18	CUSTOMER:	DWG: J2420HPL
SCALE: DO NOT SCALE	DESCRIPTION: STANDARD ENCLOSURE	PART NUMBER: FEJ2420HPL	



PARTS LIST			
ITEM	QTY	PART NUMBER	DESCRIPTION
1	1	J2420 base part data	J2420 MOLDED H&L BOX
2	1	WP2420HLLU	J2420 GASKETED COVER
3	1	RMHING19-1/2	19.5" HINGE
4	4	RMKEEPSSL	HPL KEEPER
5	4	RMLATSSL	HPL LATCH
6	28	RMRIV44	RIVET
7	1	RMLABSTAHLIN3X2	J2420HPL LABEL
8	AR	RTV-732	SILICONE SEALANT
9	4	RMINS25020A12-18	1/4-20 x 5/16 TYPE A MOLDED-IN INSERT
10	8	RMRIV43	RIVET

NOTES:
 1. RTV 732 SILICONE SEALANT SHALL BE APPLIED UNDER ALL LATCHES AROUND LATCH HOLES AND TOP OF RIVET AFTER INSTALLATION

THIS DRAWING IS THE SOLE AND EXCLUSIVE PROPERTY OF ROBROY ENCLOSURES. NO PART OF THIS DRAWING MAY BE REPRODUCED, DISTRIBUTED, OR PUBLICALLY DISPLAYED IN ANY FORM OR BY ANY MEANS WITHOUT THE EXPRESS WRITTEN PERMISSION OF ROBROY ENCLOSURES. ALL RIGHTS RESERVED. UNDER THE COPYRIGHT LAWS. COPYRIGHT © 2018 ROBROY ENCLOSURES.

SPECIAL REQUIREMENTS

NEMA 250: TYPE 1, 3, 3R, 4, 4X, 12, 13
 IEC 60529: IP66
 COLOR: GLACIER GRAY (WPR313)
 COLOR STANDARD: PANTONE 428 C

STANDARD P/N: J2420HPL		ALL DIMENSIONS ARE IN INCHES UNLESS OTHERWISE SPECIFIED		TOLERANCES UNLESS SPECIFIED		.XX ± 0.03 .XXX ± 0.010	
CUSTOMER DWG: N/A				Robroy Enclosures 500 Maple Street Belding, Michigan 48809 Phone: 616-794-0700 Fax: 616-749-3378		DWG	
MATERIAL: FIBERGLASS REINFORCED POLYESTER (FRP)						J2420HPL	
DRAWN BY: AA	DATE: 7/17/18	CUSTOMER		PART NUMBER		FEJ2420HPL	
DO NOT SCALE		STANDARD ENCLOSURE					