

AURORA™

SOLAR FLASHING

No-Calk® Solar Flashings are designed to flash around solar mounting systems. The products consist of a metal base with an elastomeric collar that incorporates a unique tear out feature enabling it to snugly fit most common mounting systems. The flashing bases are available in aluminum, soft aluminum or galvanized metal to accommodate all different roofing materials.



AURORA SOLAR FLASHING PREVENTS LEAKS AND ELECTRICITY GROUNDING HAZARDS.

Efficient

Easy, fast and sure to install.
Two items flash ½" to 3" penetrations.

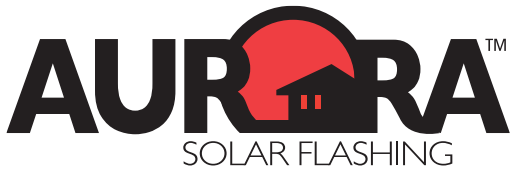
Effective

Collar is designed to fit without stress.
Seals and prevents moisture from collecting without messy caulk or silicon.
Seals against insects and vermin.
Flashings won't fade, crack or rust.
Low profile, clean appearance.

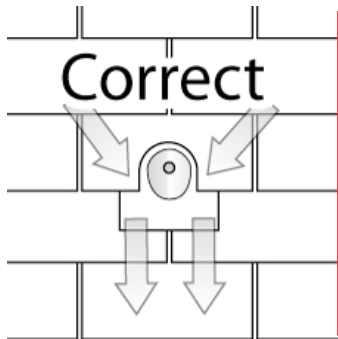
Aurora™ Solar Flashing

Product Number	Description	Carton Quantity
G11831	NC ½", ¾", 1", 18" x 18" Galvanized Flashing	12
G11833	NC ½", ¾", 1", 18" x 18" Soft Aluminum Flashing	12
G12801	NC ½"-1 ½", 9 ½" x 12 ½" Galvanized Flashing	12
G12803	NC 1 ½"-3", 9 ½" x 12 ½" Galvanized Flashing	12
G12802	NC ½"-1 ½", 9 ½" x 12 ½" Aluminum Flashing	12
G12804	NC 1 ½"-3", 9 ½" x 12 ½" Aluminum Flashing	12



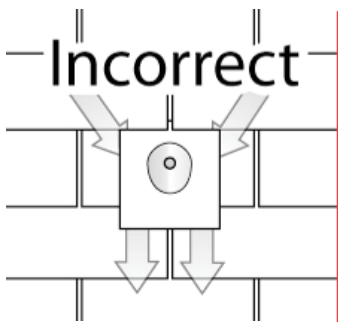


A PROPERLY INSTALLED FLASHING IS IMPERATIVE ON ANY INSTALLED MOUNTING TO INSURE ALL STRUCTURAL ATTACHMENTS PROVIDE A WATER-TIGHT SEAL.



Proper Flashing installation

The correct placement of a flashing is to cut in the area where the lag bolt is engaged to the roof. This method keeps water from entering the space underneath the flashing. By keeping the area where the lag bolt hole is made, there is virtually no opportunity for roof leaks. Use the flashing template to quickly install your flashings.



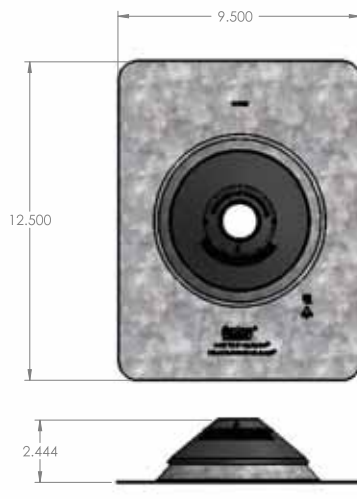
Incorrect Flashing Installation

The incorrect placement of a flashing is assuming that you do not need to cut into the roofing material. Notice when the flashing is not cut into the shingle it is very easy for water to flow under the space beneath the flashing and into the lag bolt connection.

Be sure to use the flashing template for an easy shortcut when installing your flashings.



G12801, G12802



G12803, G12804

Dimensions in inches.

Solar Flashing

No caulk design

Available in box quantities of 12.

Check out the SolarPro Oct/Nov 2008 article on line at www.solarprofessional.com

Not only is flashing roof penetrations the ideal solution for longterm waterproofing, it is also frequently mandated by the Authority Having Jurisdiction (AHJ), written into codes and required by the roofing manufacturer to maintain the roof warranty." Rob Hernandez, an independent roofing consultant with Jim Whitten Roof Consultants, agrees that systems installed without flashing are potentially exposed to litigation. "Instructions from roofing manufacturers, guidelines and standards in the roofing industry, accepted best practices and building codes all require the use of flashed penetrations. Given this, a reasonable person could conclude that the failure to flash penetrations constitutes negligence." Hernandez explains that the numbers his industry uses include curtain walls and foundations, but "something like 80% of all construction related litigation stems from water intrusion."

DISTRIBUTED BY:

MORRIS Products
53 Carey Rd.
Queensbury, NY 12804
888-777-6678
www.morrisproducts.com

ITEM NO.	PART NUMBER	DESCRIPTION	QTY.
1		1-1/2" TO 3" SOLAR FLASHING BASE (ALUM)	1
2		RAIN COLLAR, NO-CALK, CRIMP-ON, 1.5-2-3 x 4 MTG RING	1
3		CTN: RSC 12 3/4" X 9 3/4" X 10 3/4"	0.0833
4		LBL: 1-1/2" TO 3" SOLAR FLASH, ALUM	0.0833

REV.	DCR/PCR/ECN	DESCRIPTION	DATE	APPROVED
A	0000472 - PCR	INITIAL RELEASE	12/8/2010	RPS

QUALITY REQUIREMENTS

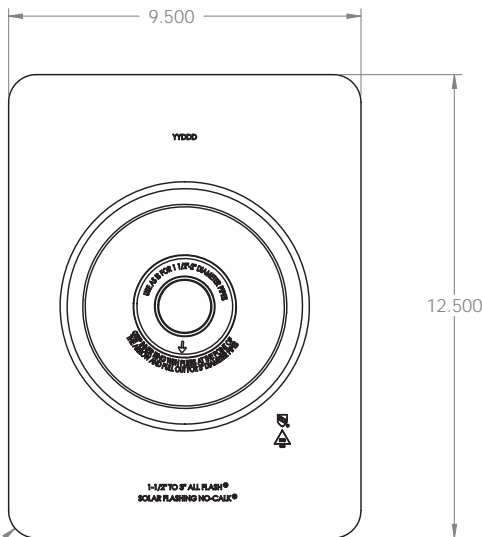
MATERIAL & TOOLING

1. SHEET METAL MUST COMPLY WITH RELATED PURCHASE / PRODUCT SPECIFICATION
2. ONLY APPROVED TOOLING IS TO BE USED, PRINT BLOCK MUST BE REPRESENTATIVE OF ITS DESTINED BRAND, MODEL, & COLLAR SIZE
3. UPC & NES FLASHINGS APPROVAL SYMBOLS ARE NOT OPTIONAL, DO NOT OMIT
4. DIES MUST BE SHARPENED, POLISHED, GROUND OR REPLACED AS NEEDED TO MAINTAIN SMOOTH CUT EDGES, LEGIBLE TEXT, & UNBLEMISHED SUFACES

OPERATOR INSPECTION

1. STAMPED PART MUST BE FREE OF ANY CRACKS, SPLITS, OR UNUSUAL WARPAGE EXCEPT AS OTHERWISE PERMITTED HERE
2. NO BURRS OR JAGGED OR SHARP EDGES PERMITTED ALONG OUTSIDE PERIMETER OF THE BASE
3. CRACKS ALONG THE PIERCED EDGE OF THE SHEET METAL THRU-HOLE MAY NOT EXTEND BEYOND THE DEEPEST AREA (BOTTOM) OF THE COLLAR MOUNTING RIM
4. THE SHEET METAL RIM MUST READILY RECEIVE ITS ASSOCIATED COLLAR FOR A FLUSH-TO-BOTTOM FIT
5. FLASHINGS MUST HAVE THE CORRECT DATE STAMPED LEGIBLY INTO THE FLASHING
DATE FORMAT, TWO DIGITS EACH: YYDD
6. STAMPED GRAPHICS (LISTING SYMBOLS, DATE & BRAND, MODEL, & SIZE, AS APPLICABLE) MUST BE LEGIBLE

ANY PROCEDURE OR PART DEVIATION FROM THIS DRAWING MUST BE APPROVED BY QUALITY ASSURANCE OR THE DEPARTMENT MANAGER, & A DEVIATION NOTICE MUST BE ISSUED AT THAT TIME



R.750

UPC: 038753-12804



Morris Products Inc

53 Carey Rd.

Queensbury, NY 12804



CRITICAL DIMENSION FOR INSPECTION		THIRD ANGLE PROJECTION DRAWING INTERPRETATION USING ASME Y14.5M		DESCRIPTION	
MATERIAL ---	VOLUME cu. in.	MODELED BY ??	DATE 12/8/2010	1-1/2" TO 3" SOLAR FLASHING (ALUM)	
MOLD NO. N.A.		DRAWN BY --	12/8/2010		
UNLESS OTHERWISE SPECIFIED, DIMENSIONS ARE IN INCHES. TOLERANCES: FRACTIONS DECIMALS ANGLES ± 1/4 .XX ± .01 ± 1° .XXX ± .005		CHECKED BY --	xx/xx/xx	SCALE 1:4	SHEET 1 OF 2
		SIZE A	REV. A	PART NO. G12804	