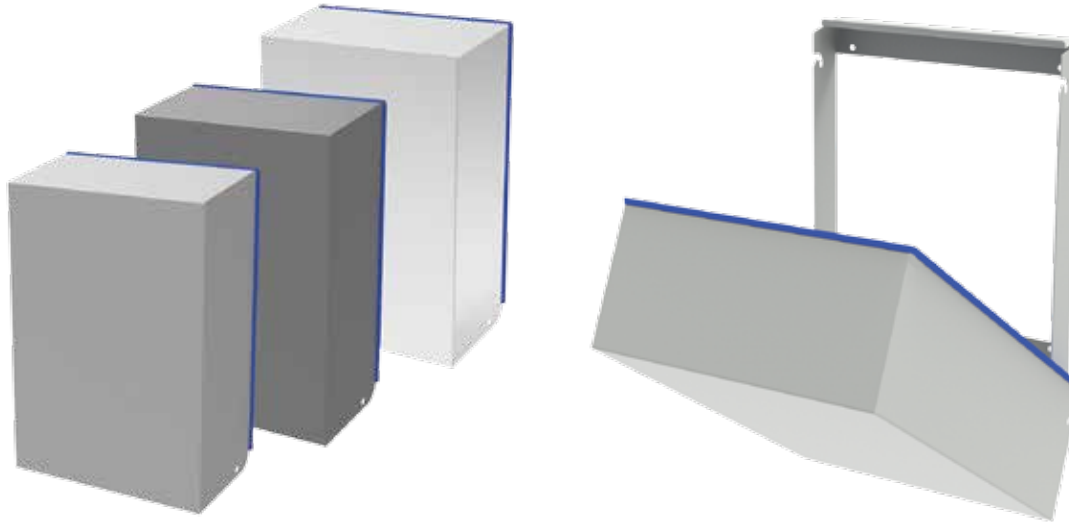


## FILTER FAN SHROUDS, TYPE 4/4X



### INDUSTRY STANDARDS

Maintains UL/cUL Listed Type 4 and Type 4X rating when properly installed on a Type 4 or Type 4X enclosure.

UL 508A UL/cUL Listed; Type 4, 4X; File No. E482010
---

CE  
EAC

### APPLICATION

- Outdoor telecommunication
- Outdoor displays
- Security systems
- Industrial automation
- Automotive assembly
- Package handling equipment
- Wind energy systems

### FEATURES

- Protects filter fan and exhaust grill from standard washdown procedures
- Meets Type 4/4X standards when used with HF or TFP Type 12 Filter Fans and Grilles
- Hinge allows the shroud to be opened at a 45-degree angle for easy filter replacement
- Hinge design also allows for easy and complete removal for cleaning
- 10-degree, sloped top design
- Only reduces filter fan airflow by 10 percent
- Easy one person installation with simple back panel mounting; hardware included
- FDA approved blue silicone gasket that is easily replaceable
- Pre-drilled side holes allow for locking provision on side

### FINISH

- RAL 7035 light gray polyester powder coat paint on mild steel
- ANSI 61 gray polyester powder coat paint on mild steel
- Stainless Steel #304

### NOTES

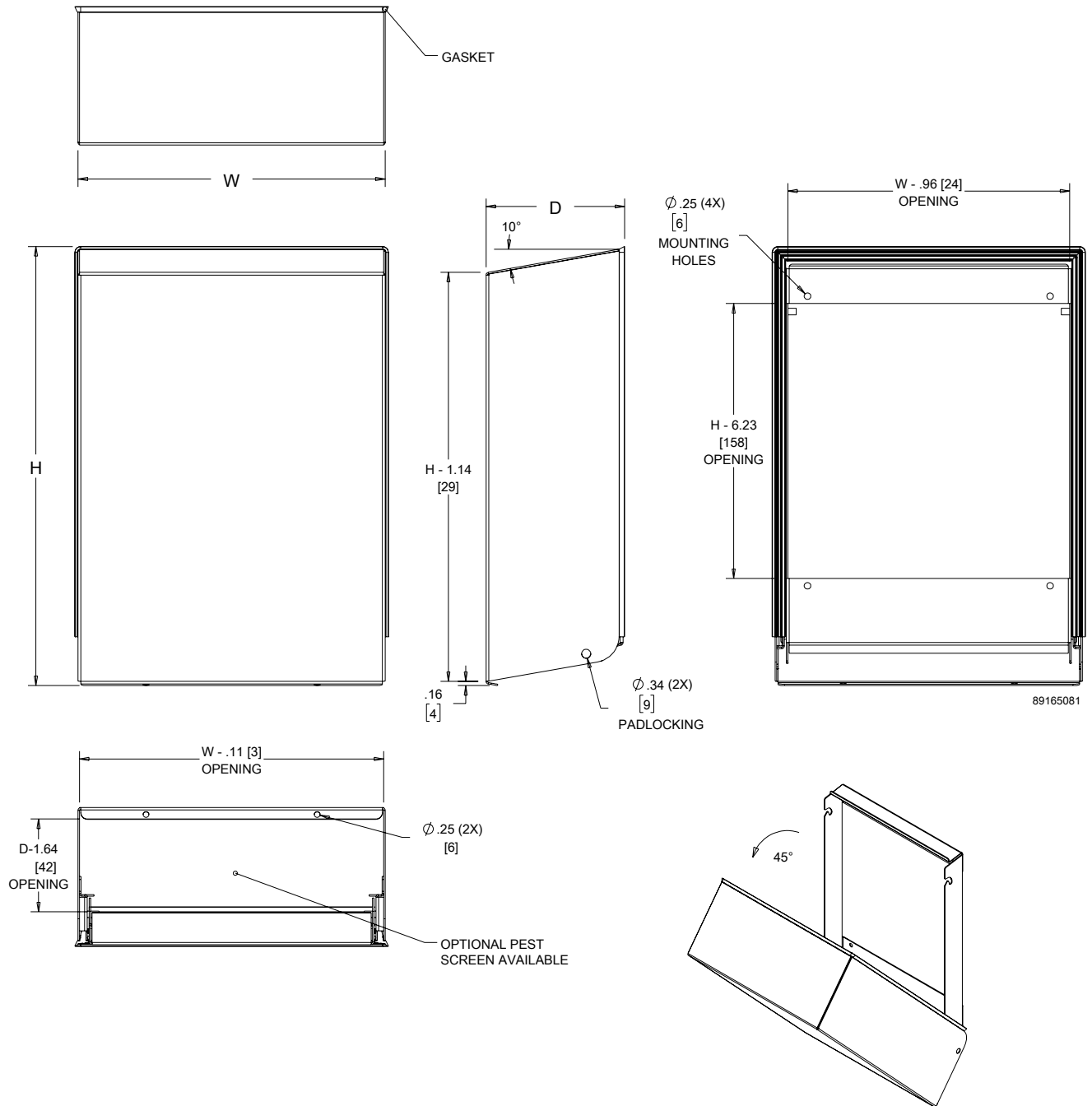
Hoffman Type 4/4X shrouds are for general ventilating use only and are not suitable in all applications or environments. Spraying water directly up the bottom of the shroud will incur water ingress.

To protect sensitive components against condensation, an enclosure heater or closed-loop cooling is recommended.  
To protect sensitive components against corrosive elements, closed-loop cooling is recommended.

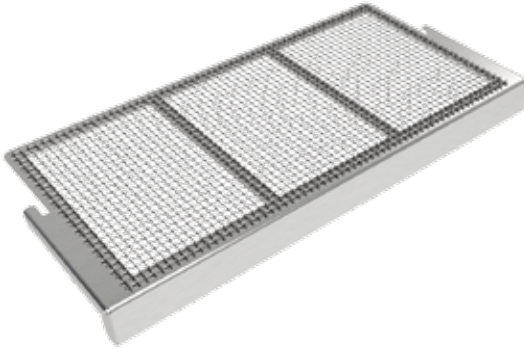
The shroud Type 4/4X UL rating contingent on proper use of nVent HOFFMAN Type 12 filter fans with filter media.

Performance Data

<b>HH05 Models</b>			
Catalog Number	HH05MS35004	HH05MS61004	HH05SS04004X
Provides protection for:			
HF Filter Fan Models	HF04 and HF05	HF04 and HF05	HF04 and HF05
HG Exhaust Grille Models	HG04 and HG05	HG04 and HG05	HG04 and HG05
Unit Construction			
Material	Mild Steel	Mild Steel	Stainless Steel #304
Finish	RAL 7035 polyester powder coat paint	ANSI 61 polyester powder coated paint	Brushed
Unit Dimensions H x W x D (in./mm)	12.33 x 7.70 x 3.40 313 x 196 x 86	12.33 x 7.70 x 3.40 313 x 196 x 86	12.33 x 7.70 x 3.40 313 x 196 x 86
<b>HH09 Models</b>			
Catalog Number	HH09MS35004	HH09MS61004	HH09SS04004X
Provides protection for:			
HF Filter Fan Models	HF09	HF09	HF09
HG Exhaust Grille Models	HG09	HG09	HG09
TFP Side-Mount Fans	TFP41UL12, TFP42UL12	TFP41UL12, TFP42UL12	TFP41UL12, TFP42UL12
Unit Construction			
Material	Mild Steel	Mild Steel	Stainless Steel #304
Finish	RAL 7035 polyester powder coat paint	ANSI 61 polyester powder coated paint	Brushed
Unit Dimensions H x W x D (in./mm)	14.58 x 9.70 x 4.60 370 x 246 x 117	14.58 x 9.70 x 4.60 370 x 246 x 117	14.58 x 9.70 x 4.60 370 x 246 x 117
<b>HH10 Models</b>			
Catalog Number	HH10MS35004	HH10MS61004	HH10SS04004X
Provides protection for:			
HF Filter Fan Models	HF10	HF10	HF10
HG Exhaust Grille Models	HG10	HG10	HG10
TFP Side-Mount Fans	TFP61UL12, TFP62UL12	TFP61UL12, TFP62UL12	TFP61UL12, TFP62UL12
Unit Construction			
Material	Mild Steel	Mild Steel	Stainless Steel #304
Finish	RAL 7035 polyester powder coat paint	ANSI 61 polyester powder coated paint	Brushed
Unit Dimensions H x W x D (in./mm)	16.66 x 11.90 x 5.20 423 x 302 x 132	16.66 x 11.90 x 5.20 423 x 302 x 132	16.66 x 11.90 x 5.20 423 x 302 x 132
<b>HH13 Models</b>			
Catalog Number	HH13MS35004	HH13MS61004	HH13SS04004X
Provides protection for:			
HF Filter Fan Models	HF13	HF13	HF13
HG Exhaust Grille Models	HG13	HG13	HG13
TFP Side-Mount Fans	TFP101UL12, TFP102UL12	TFP101UL12, TFP102UL12	TFP101UL12, TFP102UL12
Unit Construction			
Material	Mild Steel	Mild Steel	Stainless Steel #304
Finish	RAL 7035 polyester powder coat paint	ANSI 61 polyester powder coated paint	Brushed
Unit Dimensions H x W x D (in./mm)	19.50 x 14.30 x 6.10 495 x 363 x 155	19.50 x 14.30 x 6.10 495 x 363 x 155	19.50 x 14.30 x 6.10 495 x 363 x 155

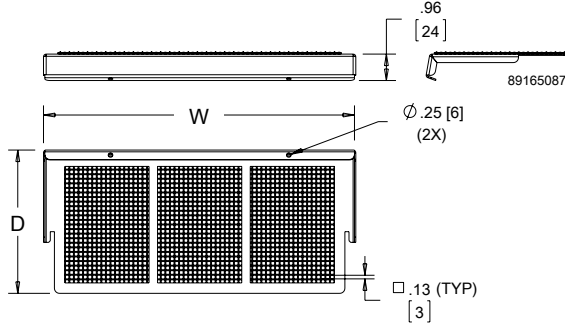


**FILTER FAN SHROUD, TYPE 4/4X PEST SCREENS**



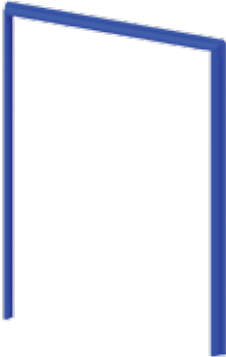
Stainless steel frame and mesh with 0.13 (3 mm) holes to keep large pests and debris from entering and clogging filter media.

CATALOG NUMBER	Description	W (in./mm)	D (in./mm)
HH05PS004	5-inch shroud pest screen	7.41 188	3.43 87
HH09PS004	9-inch shroud pest screen	9.46 240	4.61 117
HH10PS004	10-inch shroud pest screen	9.49 241	5.23 133
HH13PS004	13-inch shroud pest screen	14.07 357	6.11 155



**FILTER FAN SHROUD, TYPE 4/4X REPLACEMENT GASKET**

FDA approved, blue silicone gasket that is easily replaceable.



CATALOG NUMBER	Description
HH05RGKSP	5-inch shroud replacement gasket
HH09RGKSP	9-inch shroud replacement gasket
HH10RGKSP	10-inch shroud replacement gasket
HH13RGKSP	13-inch shroud replacement gasket