

Twist-Lock® Devices

50A, 3 Phase 480V AC, 3 Pole, 4 Wire Grounding

Insulgrip® Plug

Features

- Super tough nylon housing offers better impact qualities
- Stainless steel shroud protects contacts and prevents mismatching
- Heavy duty two-piece external cord clamp provides maximum strain relief
- Box terminal with hex socket threaded slug, permits high clamping pressure on conductors without damaging strands
- Thermoplastic polyester interior provides heat resistance and impact strength

HUBBELL



Ordering Information

| Description | Cord Diameter | UPC | Catalog Number |
|---|-------------------------------|--------------|----------------|
| Nylon cover, thermoplastic polyester interior | .830"-1.250" (21.08-31.75) | 783585828442 | CS8165C |

Listings

Listed to UL 498
Certified to CSA C22.2 No.42

Specifications

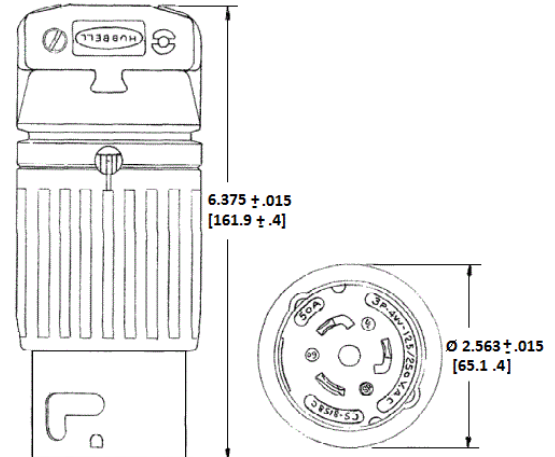
| | |
|-----------------|-----------------|
| Housing | Nylon |
| Blade Holder | Polyester |
| Blades | Brass |
| Shell | Stainless Steel |
| Terminal Screws | Stainless steel |
| Cord Grip | Polyester |

Performance

| Electrical | |
|----------------------|--|
| Current Interrupting | Certified for current interrupting at full rated current |
| Dielectric Voltage | Withstands 2,000V minimum |

| Mechanical | |
|------------------------|---|
| Terminal Accommodation | #8 AWG - #4 AWG stranded copper wire only |

| Environmental | |
|------------------------|---|
| Flammability | HB or better |
| Operating Temperatures | Maximum continuous 75°C; minimum -40°C (w/o impact) |



Accessories

| | |
|-------------------|----------|
| Connector | CS8164C |
| Single Receptacle | CS8169 |
| Weatherproof Boot | HBL7716C |

Online Resources

Customer Use Drawing
eCatalog
Installation Instructions

Dimensions in Inches (mm)

Hubbell Wiring Device-Kellems • Hubbell Incorporated (Delaware) • 40 Waterview Drive • Shelton, CT 06484

Phone (800) 288-6000 • Fax (800) 255-1031 • Specifications subject to change without notice.

