



## LED T5HO : LINE VOLTAGE : DOUBLE-ENDED

### DESCRIPTION

LED T5HO Ballast Bypass/Line Voltage Replacement Lamps directly replace 4' fluorescent T5HO lamps at a fraction of the energy cost. A compact driver design means uniform light output with no dark spots across the entire lamp.

### FEATURES

- Solid state replacement for 4 ft. T5 linear fluorescent
- Unique design features uniform light output with no dark spots
- Double-end powered
- Frosted lens for uniform diffuse appearance
- No external ballast or driver required
- Ultra-high performance LEDs deliver 137+ lpw
- Up to 50% instant energy savings
- Integral 120-277V drivers provide easy installation
- Use with T5 lamp holders
- Non-dimmable

### WARRANTY

- 5 year limited warranty; see eiko.com for warranty details

### APPLICATIONS

- Commercial
- Industrial
- Hospitality
- Education
- Healthcare
- Retail



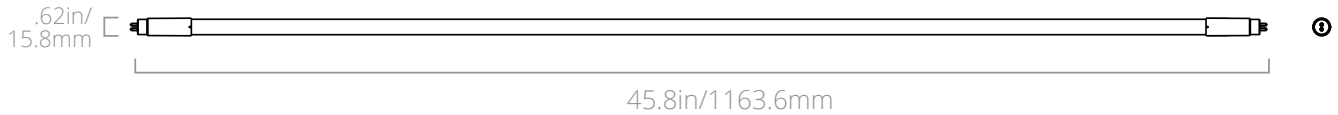
<b>PERFORMANCE</b>	Power Consumption	24W
	Lumens	3,300/3,500
	Efficacy (LPW)	137.5/145.8
	CRI	80+
	CCT	3500K, 4000K, 5000K
	Life (L70)	50,000 hours
<b>ELECTRICAL</b>	Power Factor	≥0.9
	THD	<20%
	Input Voltage	120-277V
<b>CONSTRUCTION</b>	Operating Temperature	-4°F to 113°F (-20°C to 45°C)
	Lens	Frosted
	Base	G5
<b>LISTINGS</b>	Certification(s)	DesignLights Consortium® Qualified; NSF Listed; cULus Classified; FCC
	Material Usage	RoHS Compliant; no mercury or lead
	Environment	Suitable for use in totally enclosed fixtures

## PERFORMANCE SUMMARY

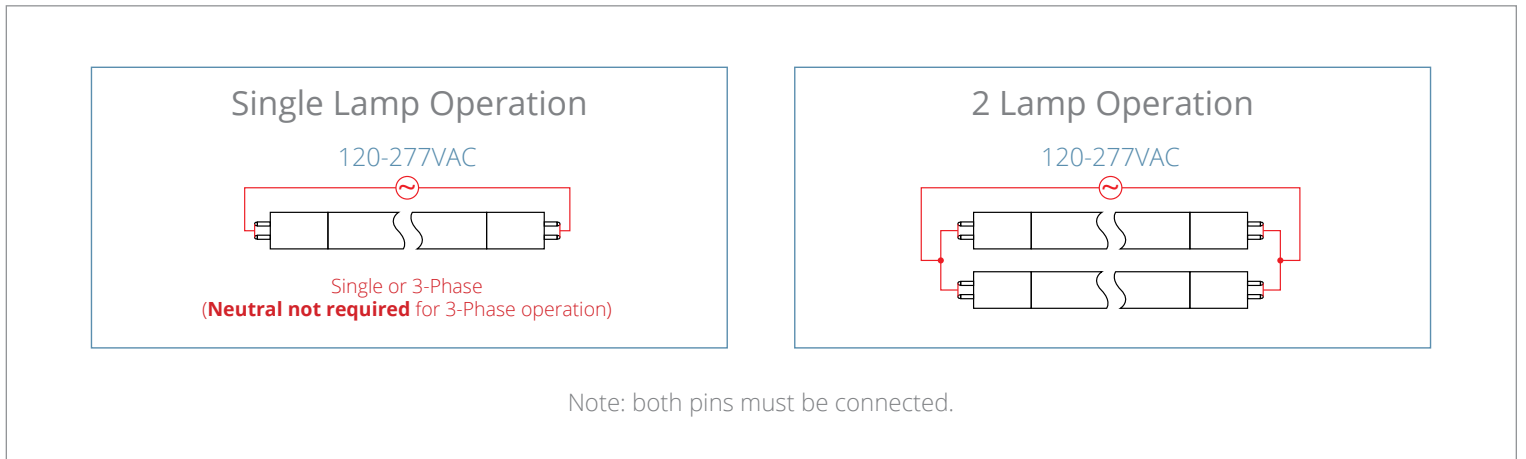
Order Code	Item #	Length	Lumens	Watts	LPW	Volts	CCT	CRI	Envelope	Life/Hours	DLC
11045	LED24WT5HO/46/835-G9D	4'	3,300	24W	137.5	120-277V	3500K	80+	Glass	50,000	✓
11046	LED24WT5HO/46/840-G9D	4'	3,500	24W	145.8	120-277V	4000K	80+	Glass	50,000	✓
11047	LED24WT5HO/46/850-G9D	4'	3,500	24W	145.8	120-277V	5000K	80+	Glass	50,000	✓

NOTE: Use order code when ordering. ✓DesignLights Consortium® Qualified

## DIMENSIONS



## WIRING DIAGRAMS



NSF offers the most accepted and trusted certification and verification programs for commercial foodservice equipment, specified by health departments, restaurant buyers and specifiers worldwide. NSF means market access – products with the NSF mark receive guaranteed regulatory acceptance in North America and improved acceptance worldwide. Verification programs, such as HACCP Compliance Verification - EU, demonstrate hygienic quality, independently verified by a trusted source.