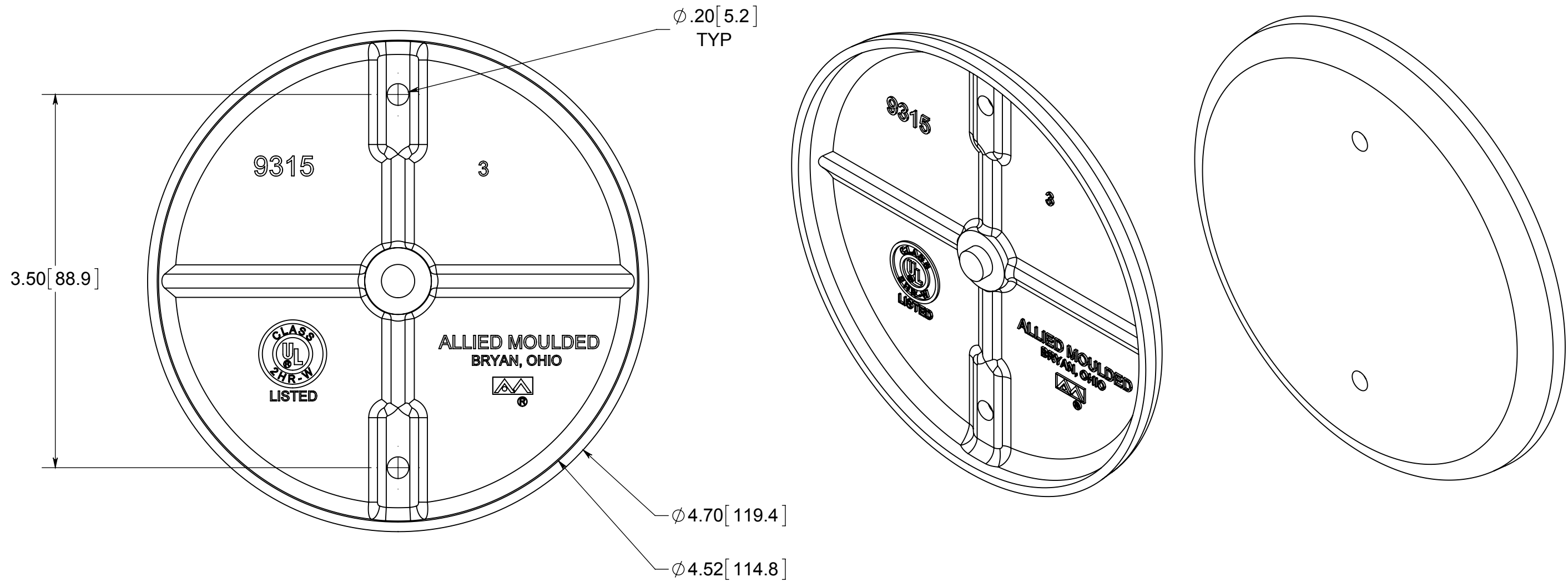
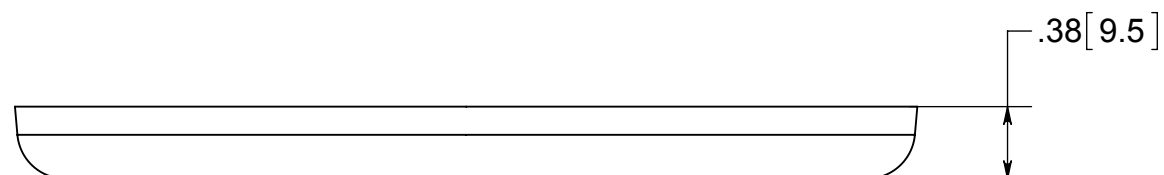


# fiberglass BOX™

ISSUE DATE: 05/13/2015



- NOTES:  
 1.) BOX MATERIAL: FIBERGLASS REINFORCED POLYESTER  
 2.) UL LISTED WITH 2 HOUR FIRE RATING FOR WALL



 **ALLIED MOULDED PRODUCTS**  
 BRYAN, OHIO  
 The Original Fiber Glass Outlet Box

PRODUCT SERIES  
**ROUND BLANK COVER**

Part No.  
**9315**

**CONFIDENTIAL**  
 THIS MATERIAL IS OWNED BY THE ALLIED MOULDED PRODUCTS COMPANY, IS DISCLOSED IN CONFIDENCE, AND IS NOT TO BE REPRODUCED OR DISTRIBUTED WITHOUT PRIOR WRITTEN PERMISSION FROM ALLIED MOULDED PRODUCTS.