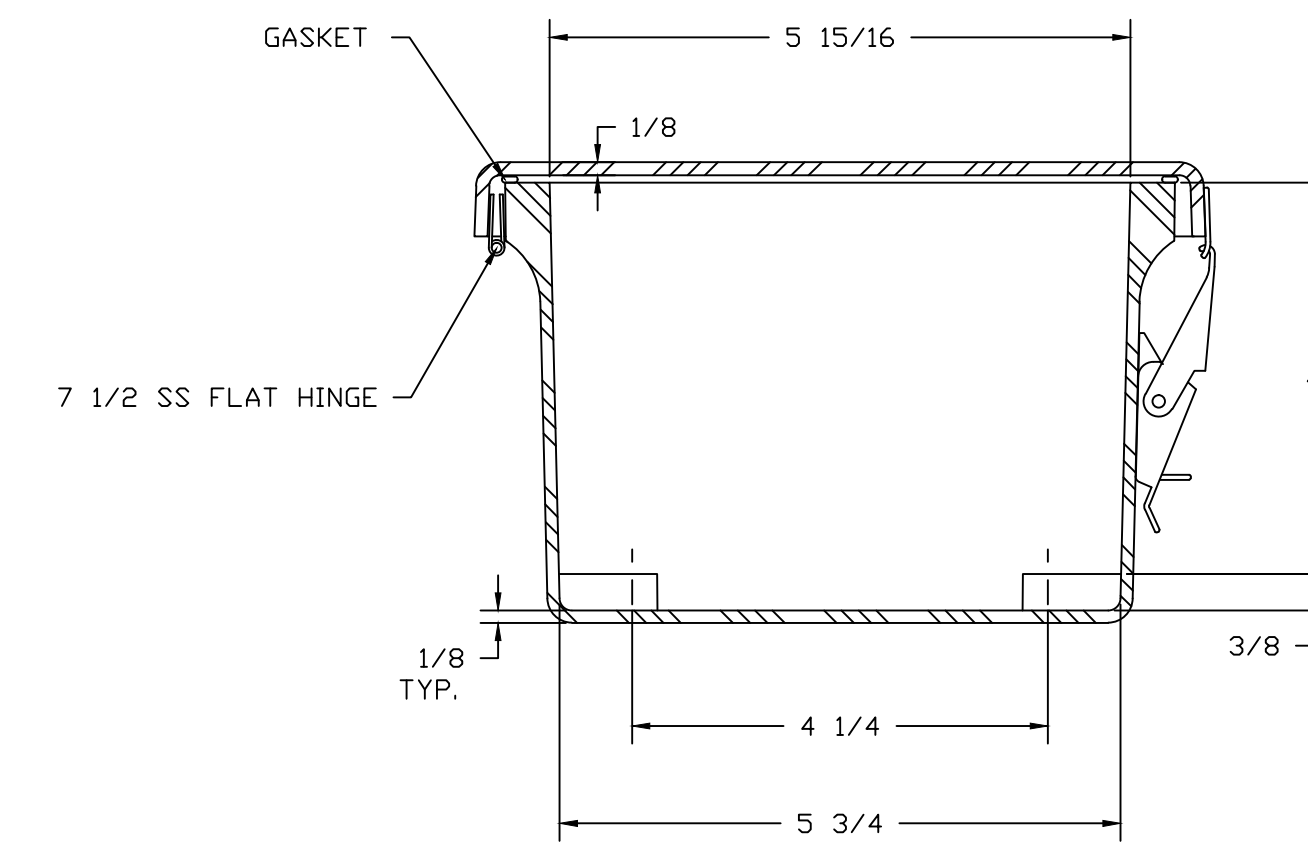
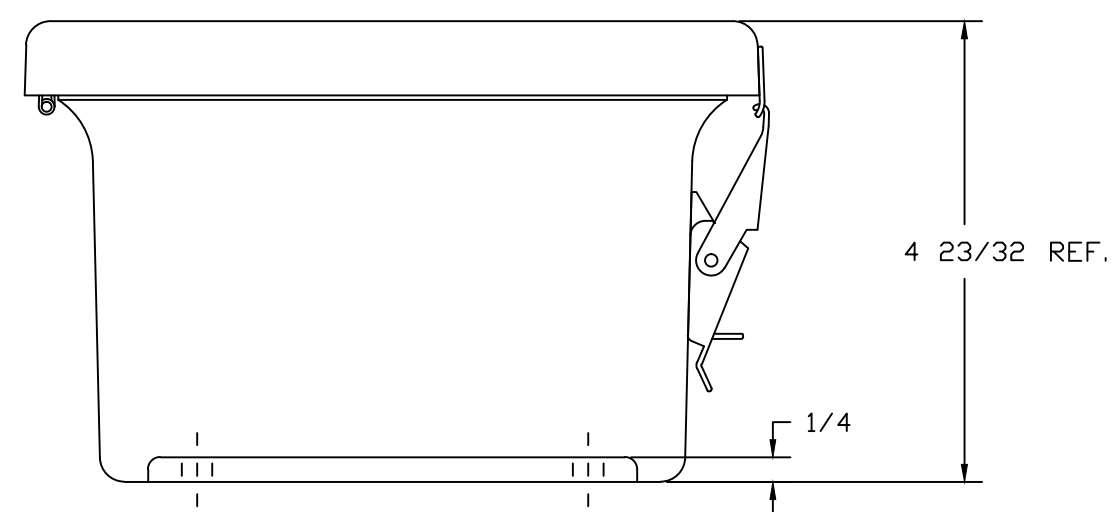


SECTION B-B



SECTION A-A

NOTES:

NEMA 4X		TOLERANCES UNLESS SPECIFIED		DECIMAL ±.010	FRACTIONAL ± 1/32
COLOR GLACIER GREY RR1013					
MATERIAL	F.R. POLYESTER FIBERGLASS	DR. BY	SH	DATE	6/25/91
LET.	REVISION RECORD	DATE	BY	CHK. BY	CHD.
		APD. BY	DATE		
		SCALE		PART NAME	
		DO NOT SCALE		ENCLOSURE	
		PART NO.		J806HPL	
		CUSTOMER		BELDING, MICHIGAN 48809	
		AutoCAD DWG. FILE		J806HPL	

