

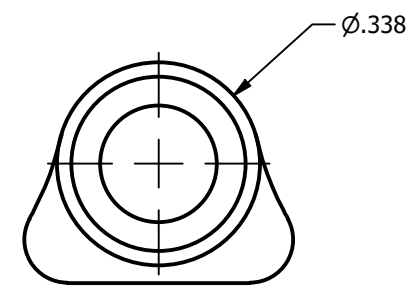
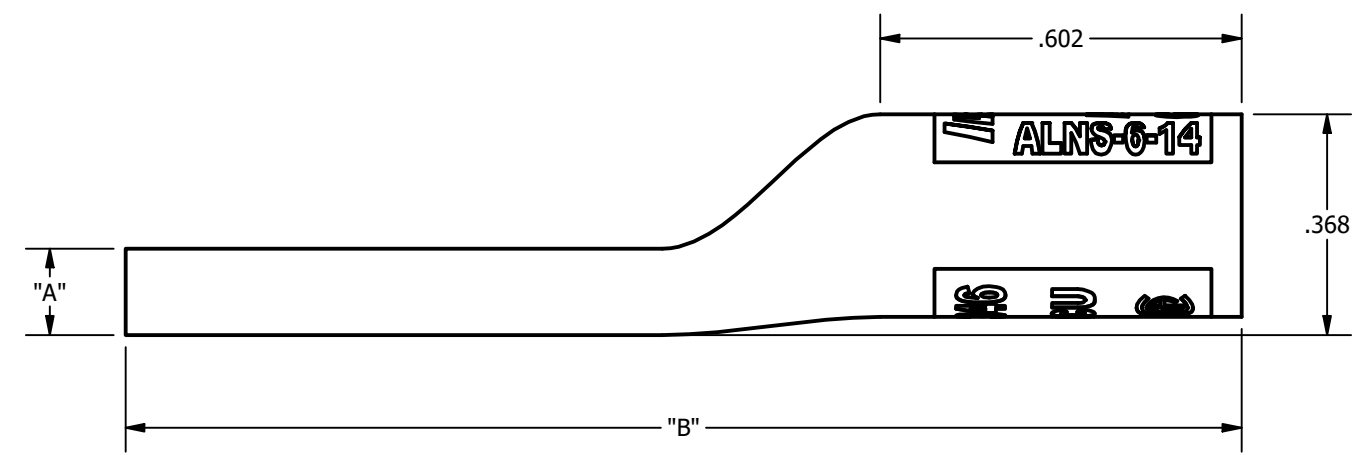
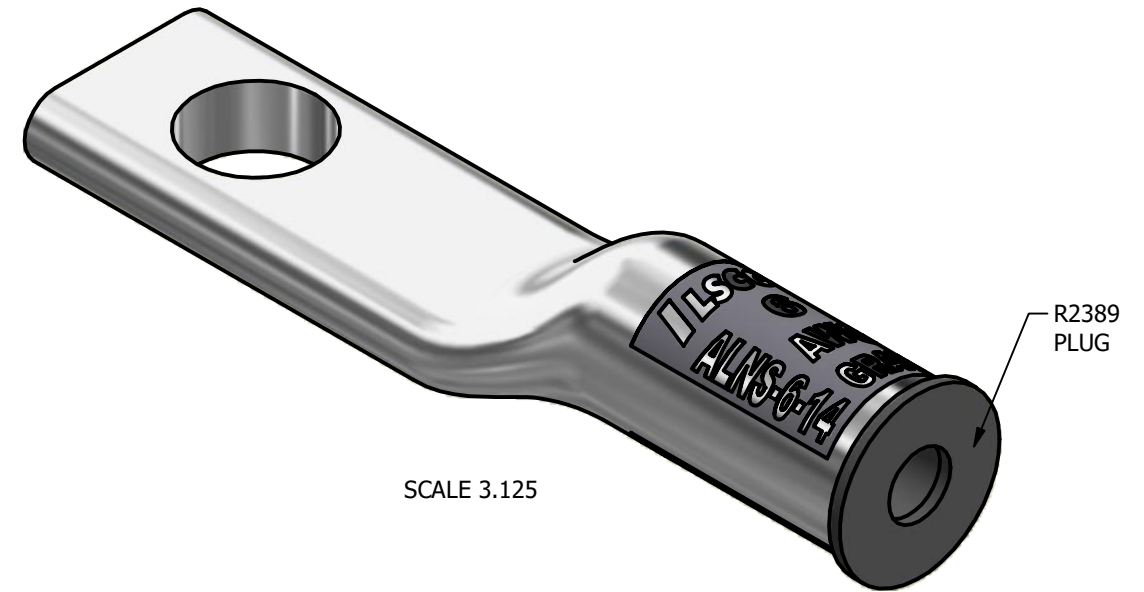
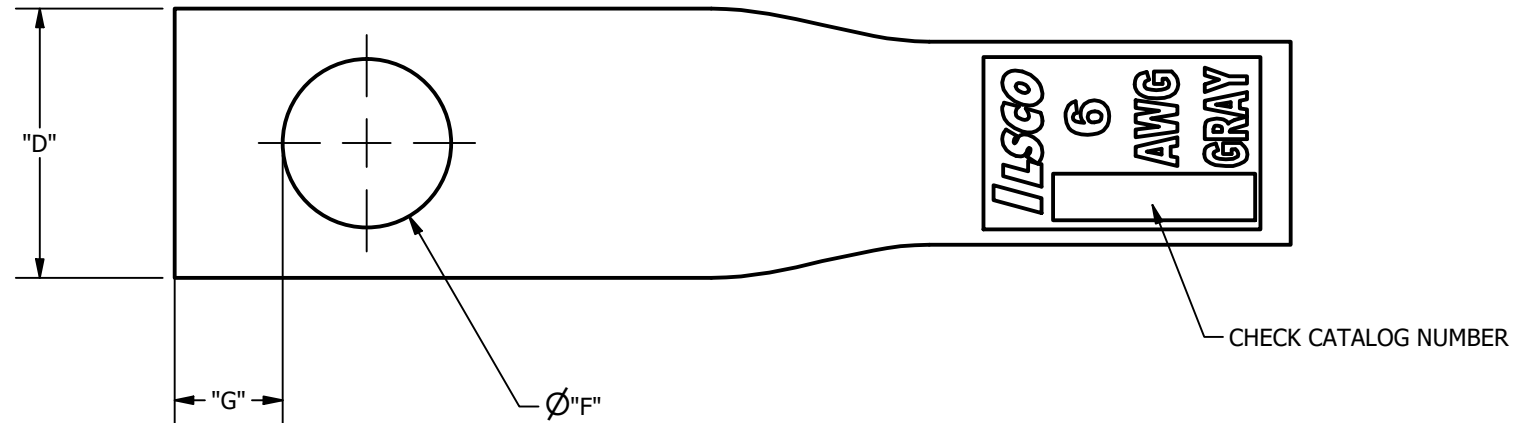
SCREW: NONE
 CAT. NO. SEE CHART
 INFORMATION SHEET: FORM 196

MATERIAL: ALUMINUM
 PLATING: EL-TIN
 MARKING: NO TANG MARKING

REV: I
 DRAWN BY: NWV
 DATE: 5/30/2013
 SCALE: NTS
 SIZE: B

ILSCO
 connections
 matter
 800-776-9775 www.ilSCO.com

DWG NO: YA0203, YAN0203 Single
 SHEET: 1 OF 1



Catalog Number	"A"	"B"	"D"	"F"	"G"
ALNS-6-14	0.144	1.860	.449	0.281	.180