

DESCRIPTION

The Halo LA4 LED Adjustable Downlight series are adjustable LED Modules for 4" aperture recessed downlights. The LA4 gimbals feature adjustment of 35-degree tilt and up to 360-degree rotation. The lens provides uniform illumination and wet location listing.. Precision construction makes any housing AIR-TITE for added savings and code compliance.

Catalog #		Type
Project		
Comments		Date
Prepared by		

SPECIFICATION FEATURES

Module - Trim

- Module construction includes LED Array, heat sink, reflector, lens, baffle and trim ring.
- Heat sink designed to conduct heat away from the LED Array, keeping the junction temperatures below specified maximums, even when installed in insulated ceiling environments

Lens

- Regressed lens
- Impact-resistant polycarbonate
- Diffusing for even illumination

LED Array

- Mid power LED array provides a uniform source with high efficiency and no pixilation.
- 90 CRI minimum, R9 greater than 50
- Color accuracy within 3 SDCM provide color accuracy and uniformity.
- Color Temperatures (CCT) available in 2700K, 3000K, 3500K, 4000K, or 5000K

Optical Assembly

- Regressed lens
- Impact-resistant polycarbonate
- Diffuse for even illumination

Driver

- Integral 120V 60 Hz constant current driver provides noise free operation
- Continuous, flicker-free dimming from 100% to 10%.
- Inline electrical quick connect and E26 adapter (provided) provides mains connections
- Consult instruction sheets and for more information

Retention

- Push-N-Twist universal installation clips
- Clips are pre-installed and designed to fit 4" compatible recessed housings

Gaskets

- Closed cell gaskets achieve restrictive airflow requirements without additional caulking

Compliance

- UL Certified
- Wet and Damp location listed.
- Airtight certified per ASTM-E283
- Suitable for use in clothes closets when installed in accordance with the NEC 410.16 spacing requirements
- EMI/RFI emissions per FCC 47CFR Part 15 consumer limits
- Contains no mercury or lead and RoHS compliant
- Photometric testing in accordance with IES LM-79-08
- Lumen maintenance projections in accordance with IES LM-80-08 and TM-21-11
- Can be used for State of California Title 24 high efficacy luminaire compliance. Complies with Title 24 JA8-2016-E.
- Can be used International Energy Conservation Coe (IECC) and Washington State Energy Code high efficiency luminaire compliance.
- ENERGY STAR® listed, reference database for current listings

Warranty

- Five year limited warranty, consult website for details. www.cooperlighting.com



LA4

4-inch All-Purpose LED Adjustable Downlight

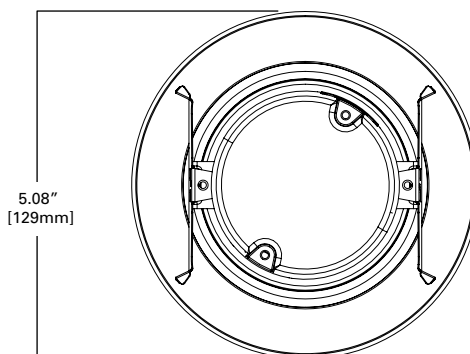
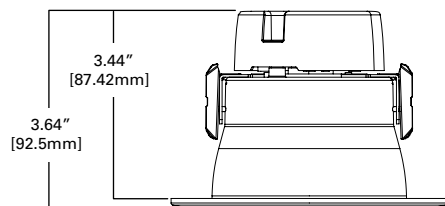
600 Series

For use in insulated ceiling and non-insulated ceiling rated housings

High-efficacy LED with integral driver - dimmable



Refer to ENERGY STAR® Certified Products List.
Can be used to comply with California Title 24 High Efficacy requirements.
Certified to California Appliance Efficiency Database under JA8.
*5000K is not covered under T24.



ENERGY DATA

Lumens	600 Series
Input Voltage	120V
Input Current	74 (mA)
Input Power	8.6 (W)
Inrush (A)	1.1
THD: ≤ 20%	
PF: ≥ 0.90	
T Ambient -30 - +40°C	
Sound Rating ≤ 22dba	

ORDERING INFORMATION

SAMPLE NUMBER: LA4069301EWH

A complete luminaire consists of a housing and LED module, order separately.

Models	Lumens	CRI / CCT	Driver	Finish
LA4 = 4-Inch LED Adjustable Gimbal	06=600 lumen (nominal)	927=90 CRI, 2700K 930=90 CRI, 3000K 935=90 CRI, 3500K 940=90 CRI, 4000K 950=90 CRI, 5000K	1E= 120V 60Hz leading or trailing edge phase cut 10% dimming	WH= matte white baffle

Housings

Halo Ultra-shallow LED Housings

H245ICAT=4" IC, airtight ultra-shallow new construction housing, LED, 120 - 277V

H245RICAT=4" IC, airtight ultra-shallow remodeler housing, LED, 120 - 277V

Halo LED Housings

H995ICAT=4" IC, airtight shallow new construction housing, LED, 120 - 277V

H995RICAT=4" IC, airtight shallow remodeler housing, LED, 120 - 277V

Halo Housings

H99TAT=4" non-IC, airtight shallow new construction housing, E26, 120V

H99RTAT=4" non-IC, airtight shallow remodeler housing, E26, 120V

H99ICAT=4" IC, airtight shallow new construction housing, E26, 120V

E4TATSB=4" non-IC, airtight shallow new construction housing, adjustable socket bracket, E26, 120V

E4RTATSB=4" non-IC, airtight shallow remodeler housing, adjustable socket bracket, E26, 120V

E4ICATSB=4" non-IC, airtight shallow new construction housing, adjustable socket bracket, E26, 120V

LA4 Series LED Retrofit is UL Classified for retrofit in the following 4" recessed housings:

The LA4 Series LED light module - trim combination is UL Certified for use with any 4" diameter recessed housing constructed of steel or aluminum with an internal volume that exceeds 62.3 in³ in addition to those noted above.

Product Specifications

PRODUCT SPECIFICATIONS	
Lumens	611
Watts	8.6
Lumens Per Watt (Efficacy)	71
Color Accuracy (CRI)	91
Light Color (CCT) Correlated Color Temperature (CCT)	2700K

PRODUCT SPECIFICATIONS	
Lumens	613
Watts	8.6
Lumens Per Watt (Efficacy)	71.4
Color Accuracy (CRI)	92
Light Color (CCT) Correlated Color Temperature (CCT)	3000K

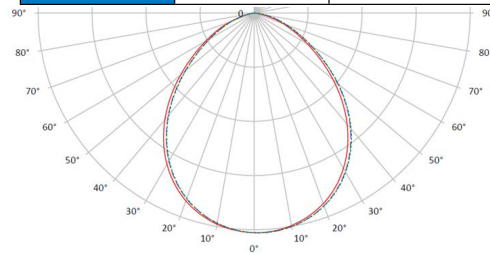
PRODUCT SPECIFICATIONS	
Lumens	630
Watts	8.6
Lumens Per Watt (Efficacy)	73.3
Color Accuracy (CRI)	92
Light Color (CCT) Correlated Color Temperature (CCT)	3500K

PRODUCT SPECIFICATIONS	
Lumens	640
Watts	8.6
Lumens Per Watt (Efficacy)	74.4
Color Accuracy (CRI)	92
Light Color (CCT) Correlated Color Temperature (CCT)	4000K

PRODUCT SPECIFICATIONS	
Lumens	630
Watts	8.6
Lumens Per Watt (Efficacy)	73.3
Color Accuracy (CRI)	92
Light Color (CCT) Correlated Color Temperature (CCT)	5000K

Photometric Data*

LA4069301EWH		
Luminaire lumens	613	
Input watts	8.6	
LER (LPW)	71.3	
Spacing Criteria	0-180	1.22
	90-270	1.24
	Diagonal	1.28
Beam angle (degrees)	95.5	
Field angle (degrees)	144.6	
Zonal lumen	Lumens	% Lumens
0-30	207	33.8
0-40	331	54
0-60	534	87.1
0-90	613	100



* Tested in accordance with IES LM63. Field results may vary.