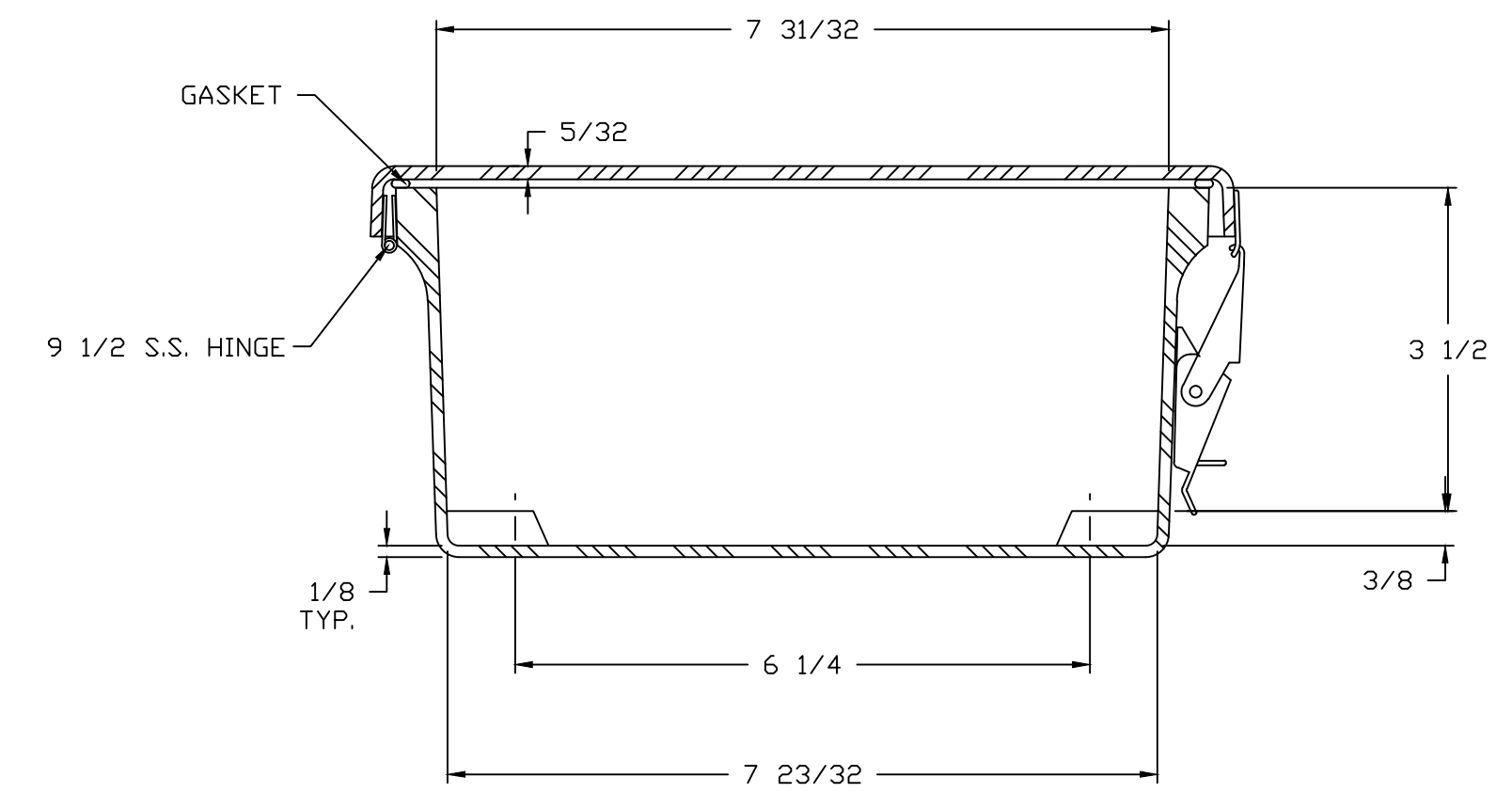
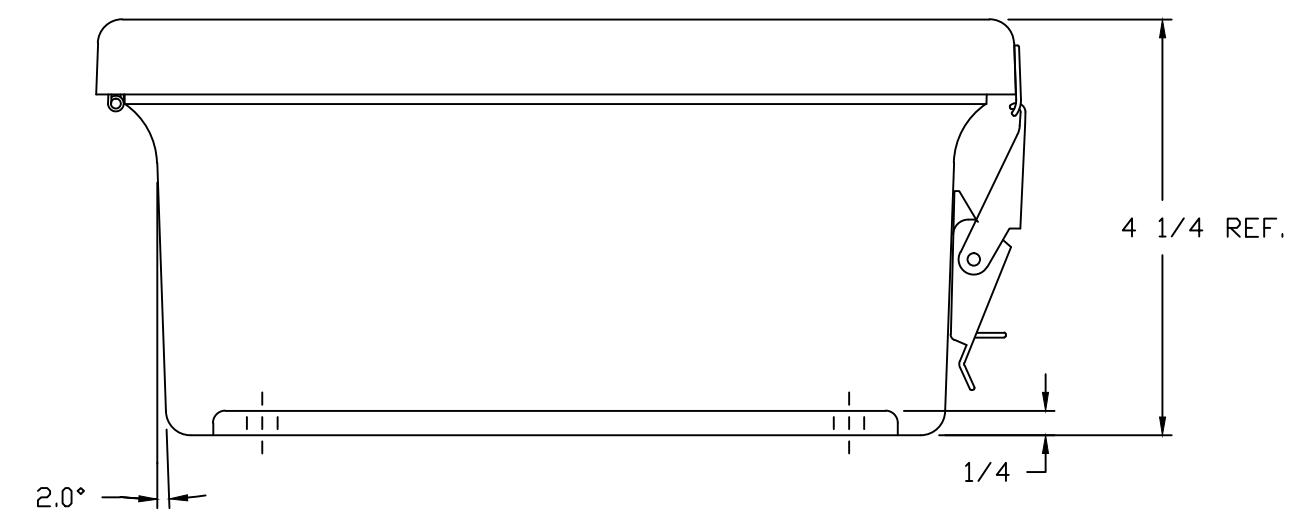



SECTION B-B



SECTION A-A

NOTES:										
NEMA 4X					TOLERANCES UNLESS SPECIFIED		DECIMAL ±.010	FRACTIONAL ± 1/32		
COLOR GLACIER GRAY RR1013										
MATERIAL			DR. BY	DATE	CHK. BY		DATE	 BELDING, MICHIGAN 48809		
F.R. POLYESTER FIBERGLASS			SH	2/25/91						
LET.	REVISION RECORD	DATE	BY	CHD.	APD. BY	DATE	CUSTOMER		AutoCAD DWG. FILE J1008HPL	
							SCALE DO NOT SCALE		PART NAME ENCLOSURE	PART NO. J1008HPL