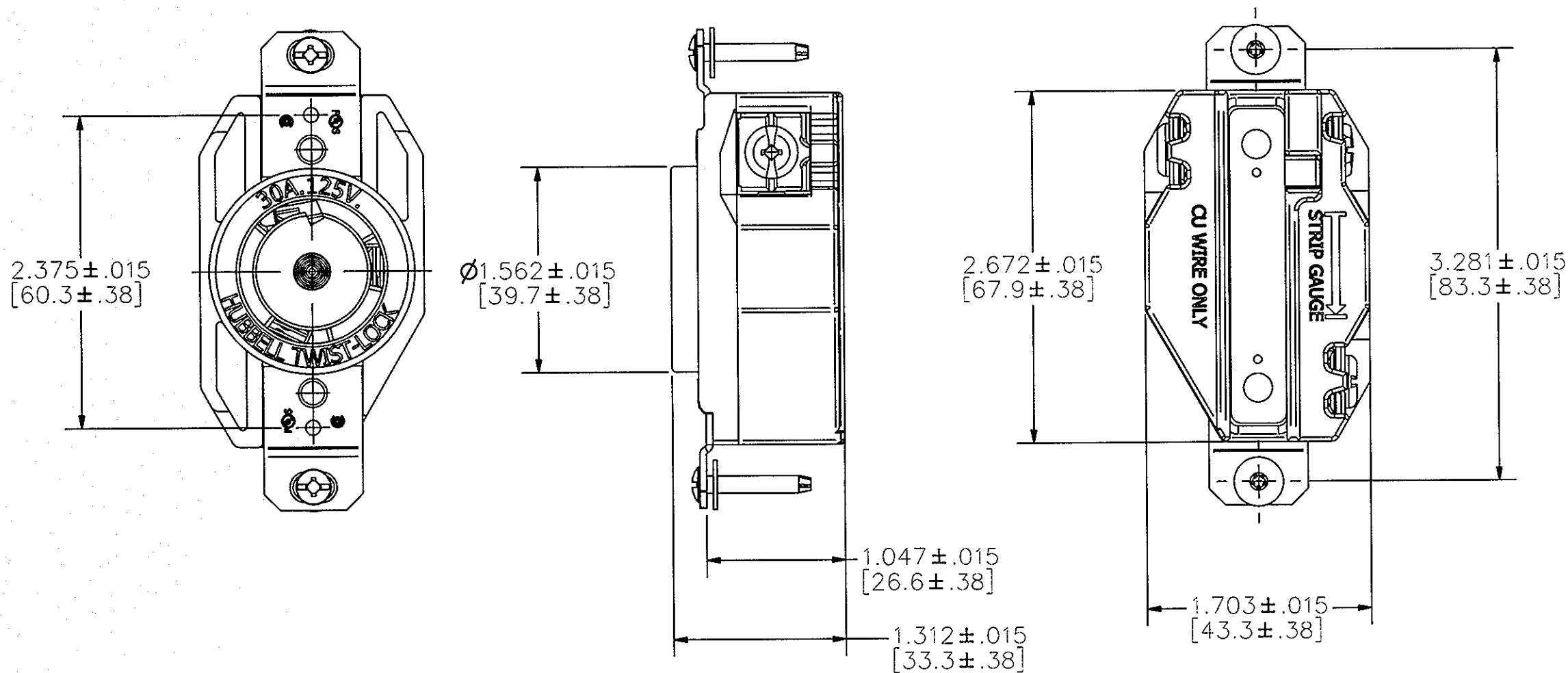


M-9090

3

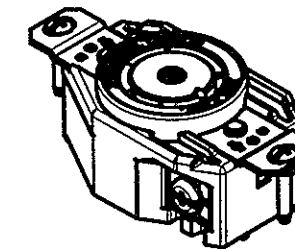


NOTES:
 1. DIMENSIONS ARE IN INCHES [MILLIMETERS].
 2. CONDUCTOR SIZE: 10 AWG TO 8 AWG.

| CATALOG NO. | CONFIGURATION | RATING | UL | CSA | FED SPEC. |
|-------------|---------------|-----------|-----|-----|-----------|
| L530R | NEMA L5-30R | 30A, 125V | YES | YES | YES |
| L630R | NEMA L6-30R | 30A, 250V | YES | YES | YES |

| DESCRIPTION | MATERIAL | FINISH |
|----------------------|------------|--------|
| BASE | POLYESTER | BLACK |
| COVER | NYLON | BLACK |
| CONTACT SPRING | .040 BRASS | |
| CLAMP | .040 BRASS | |
| GR. SHUNT | .015 BRASS | |
| BINDING SCREWS | BRONZE | * |
| HEX. HD. BIND. SCREW | BRONZE | GREEN |
| BACK PLATE | .040 BRASS | NICKEL |
| END PLATES | STEEL | NICKEL |
| RIVET | BRASS | |
| SCREWS, MOUNTING | STEEL | ZINC |

* WHITE FINISH ON NEUTRAL SCREW WHEN USED



CATALOG NO. #L630R
 (NOT SHOWN TO SCALE)

| REV | DESCRIPTION | APP | DATE |
|-----|---------------------------|-----|---------|
| 3 | REVISED PER DCN 22024 SPN | DJP | 5/19/16 |

THE DESIGN AND DIMENSIONS OF THE PRODUCT SHOWN ON THIS DRAWING ARE SUBJECT TO CHANGE WITHOUT NOTICE

TITLE
 30A, 2 POLE 3 WIRE TWIST LOCK RECEPTACLES

| | | |
|--|--|---------------|
| TOLERANCES UNLESS OTHERWISE SPECIFIED .XX = ± .01 .XXX = ± .005 ANGLES = ± 2' | WIRING DEVICE-KELLEMS HUBBELL INCORPORATED SHELTON, CT | |
| | DR. BY | APP. BY |
| | TR. BY | SCALE 1:1 |
| | CHK. BY DDL | DATE 09/26/14 |

DIMENSION SHEET FOR CAT. NO. SEE TABLE

REPAIRABLE NON-REPAIRABLE

B

M-9090

3